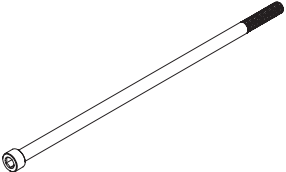


**RP418705**

# PARTS LIST

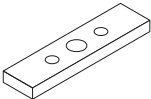
---

A M6 x 1 x 180mm Socket Head Cap Screw 1x  
718712



---

B Spacer 1x  
701544



---

C Washer 2x  
716860

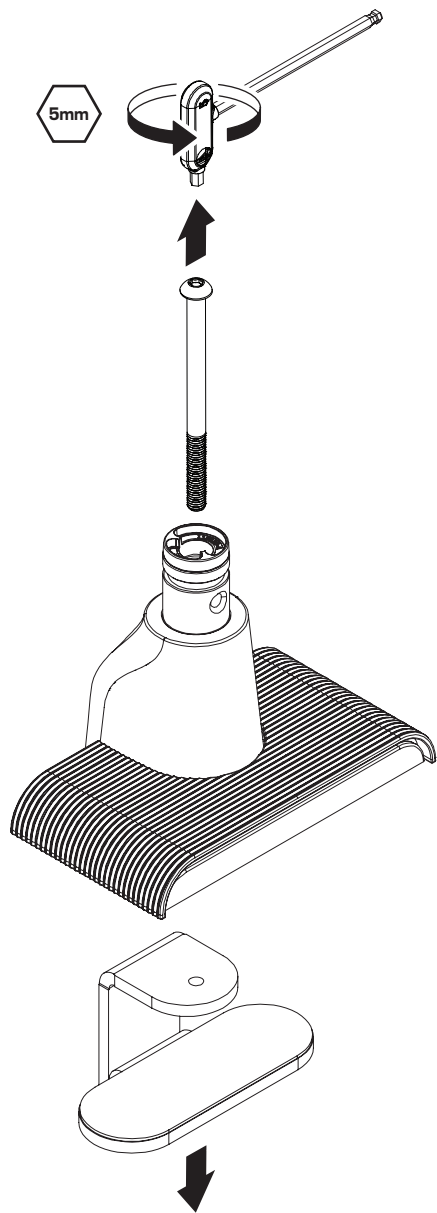


---

D M6 x 1 Lock Nut 1x  
704793

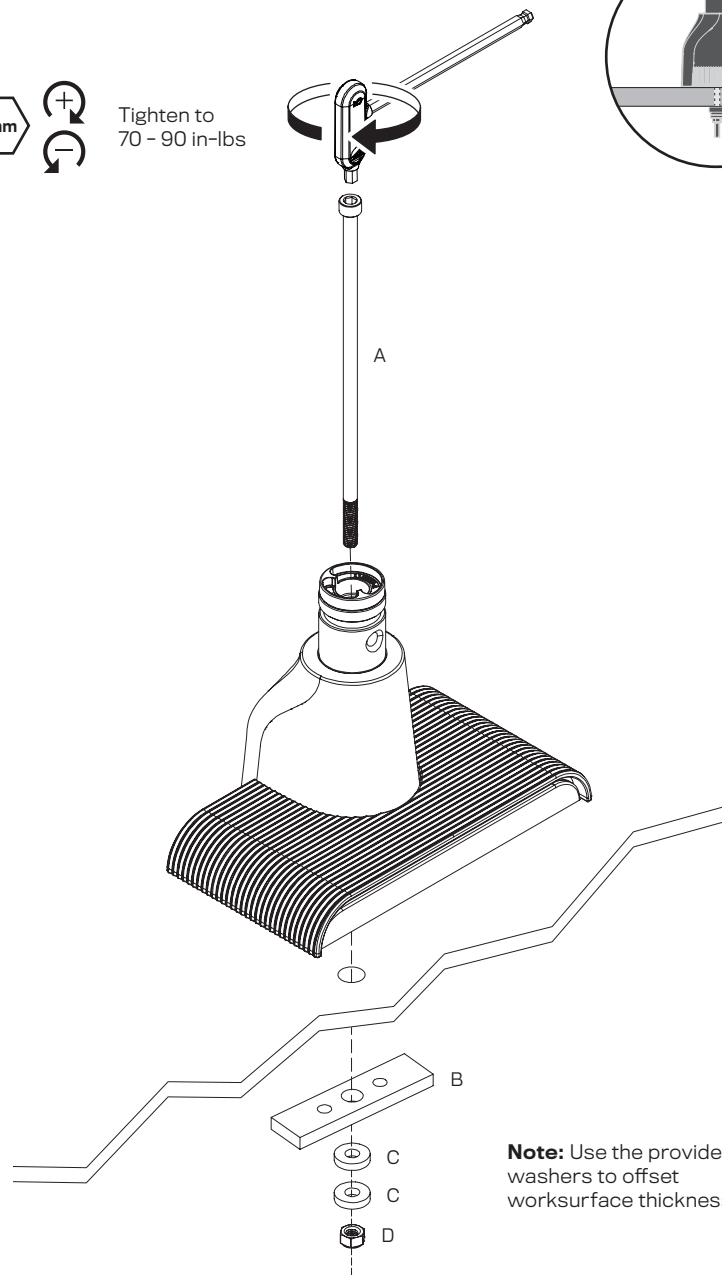


1



2

5mm  Tighten to 70 - 90 in-lbs 



**Note:** Use the provided washers to offset worksurface thickness.