

Reversible Platform

Adjustable Keyboards - Solo Platforms



Reversible keyboard and mouse platform with Mouse-Forward™ mousing area

Mouse-Forward™

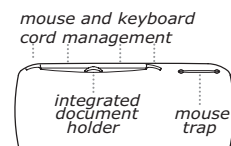
The Reversible Platform features a Mouse-Forward design, for easy movement within the primary reach zone.

Neutral wrist position is the key to comfort.

All palm supports are upholstered with LeatheRite™, providing the feel of soft glove leather and the durability of synthetic fiber. Its hypoallergenic, breathable micro porous structure dissipates heat in warm weather and retains it in cold weather. For superior palm support and comfort, choose our JelRite™ palm supports with a thermal reactive memory foam that minimizes pressure against the palm.

Thoughtful Features

On all platforms, our palm supports are easily removable to meet the user's unique requirements. All Ultra-Thin platforms have the Optimizer™, an integrated keyboard cord management feature, along with a built-in document holder and mouse cord retainer.



Durable Platforms

Our ¼" Ultra-Thin phenolic minimizes the distance between the forearm and thigh, providing a greater range of ergonomic fit. For value driven applications, select our Classic™ 5/8" melamine platform.

At WorkRite we believe that every body has a right to work comfortably and safely for maximum productivity. You can trust WorkRite - as 75% of Fortune 100 companies have - to create innovative solutions that flex to the diverse range of user needs, preferences and settings at work today.

Reversible Platform

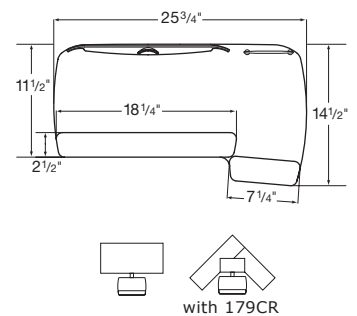
Adjustable Keyboards - Solo Platforms

Reversible keyboard and mouse platform with Mouse-Forward™ mousing area.

26" Reversible Platform #383RL

- Turn platform over to alternate from right to left hand mousing
- Available in Classic or UltraThin
- UltraThin platform features Optimizer document holder cable management system
- Removable LeatheRite palm support
- Fits straightaways and 90° corner with adapter

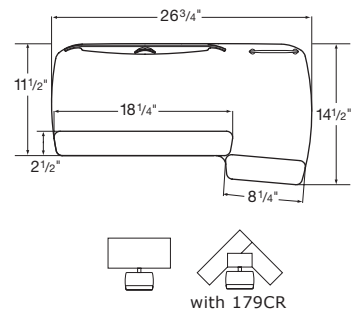
Color	Platform Type	Palm Support	Model #	Weight
Black	Classic	Jel	CB-383RL-25J	7
		No Jel	CB-383RL-25	7
	UltraThin	Jel	UB-383RL-25J	7
		No Jel	UB-383RL-25	7
Gray	Classic	Jel	CG-383RL-26J	7
		No Jel	CG-383RL-26	7
	UltraThin	Jel	UG-383RL-26J	7
		No Jel	UG-383RL-26	7



27" Reversible Platform #385RL

- Turn platform over to alternate from right to left hand mousing
- Available in Classic or UltraThin
- UltraThin platform features Optimizer document holder cable management system
- Removable LeatheRite palm support
- Fits straightaways and 90° corner with adapter

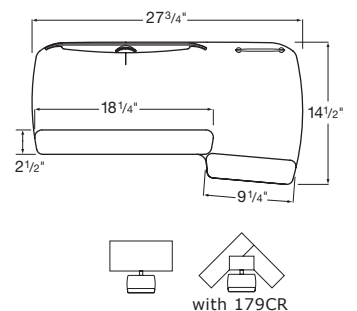
Black	Classic	Jel	CB-385RL-25J	7
		No Jel	CB-385RL-25	7
	UltraThin	Jel	UB-385RL-25J	7
		No Jel	UB-385RL-25	7
Gray	Classic	Jel	CG-385RL-26J	7
		No Jel	CG-385RL-26	7
	UltraThin	Jel	UG-385RL-26J	7
		No Jel	UG-385RL-26	7



28" Reversible Platform #386RL

- Turn platform over to alternate from right to left hand mousing
- Available in Classic or UltraThin
- UltraThin platform features Optimizer document holder cable management system
- Removable LeatheRite palm support
- Fits straightaways and 90° corner with adapter

Black	Classic	Jel	CB-386RL-25J	7
		No Jel	CB-386RL-25	7
	UltraThin	Jel	UB-386RL-25J	7
		No Jel	UB-386RL-25	7
Gray	Classic	Jel	CG-386RL-26J	7
		No Jel	CG-386RL-26	7
	UltraThin	Jel	UG-386RL-26J	7
		No Jel	UG-386RL-26	7



The following are federally registered trademarks of WorkRite Ergonomics: Stylized I®, and WorkRite Ergonomics®. The following are trademarks of WorkRite Ergonomics: JelRite™, LeatheRite™, Mouse-Forward™, Optimizer™ and Quick Ship Logo™.