

# INSTALLATION INSTRUCTIONS

## PLASMA DISPLAY STATIC MOUNT

PSM-2390-2393

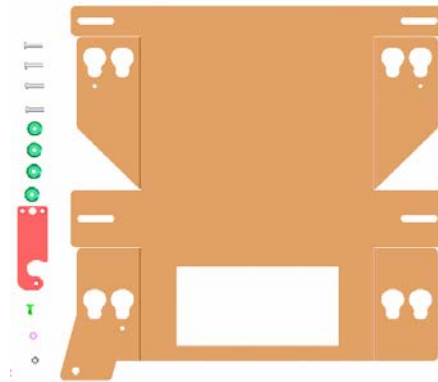


Figure 1

- |   |                      |
|---|----------------------|
| (1) Plasma Static Mount                 | (4) Mounting Buttons |
| (4) M5 x 20mm Phillips Head Cap Screws  | (1) Nylon Washer     |
| (1) Latching Flag                       | (1) 10-24 Nylock Nut |
| (1) 10-24 x .5 Flat Head Undercut Screw |                      |

**BEFORE PROCEEDING:** Unpack the carton, verify contents shown in Figure 1 and read installation instructions completely. If you are missing any of the listed components, please contact Customer Service at 1-800/582-6480.

### CAUTION! Plasma Displays are Extremely Fragile.

1. Attach the latching flag to the mount using the 10-24 Phillips flat head screw, Nylon washer, and Nylock nut (see Figure 2). Tighten until friction will hold the flag in place.
2. Attach mounting buttons to the display using four M5 screws provided (see Figure 3 & Figure 4).

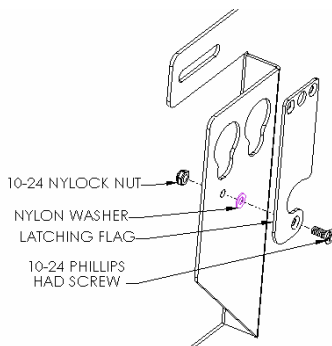


Figure 2

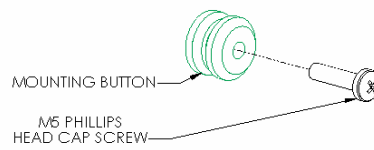


Figure 3

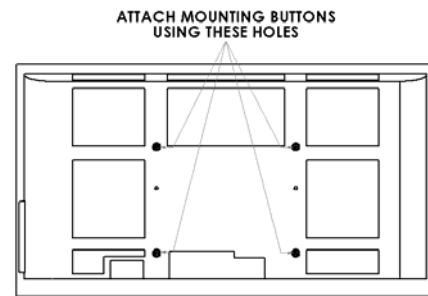


Figure 4

# WARNING

**ALL COMPONENTS MUST BE SECURELY FASTENED TO A STRUCTURAL MEMBER CAPABLE OF SUPPORTING 4 TIMES THE COMBINED WEIGHT OF ALL COMPONENTS PLUS THE EQUIPMENT BEING MOUNTED. IF IT CANNOT SUPPORT THIS WEIGHT, THE STRUCTURE MUST BE REINFORCED. THE MAXIMUM WEIGHT TO BE INSTALLED ON THE MOUNT IS 175 POUNDS (79.38 KG).**

3. Securely anchor the plasma static mount to wall studs or supporting framework (see WARNING).
4. Make sure the flag is lowered before attempting to place the plasma on the mount.
5. With the aid of another person, lift the display up to the mount, align the mounting buttons on the display with the teardrop slots in the mount, and set the display into place (see Figure 5).
6. Position (raise) the flag to secure the display.

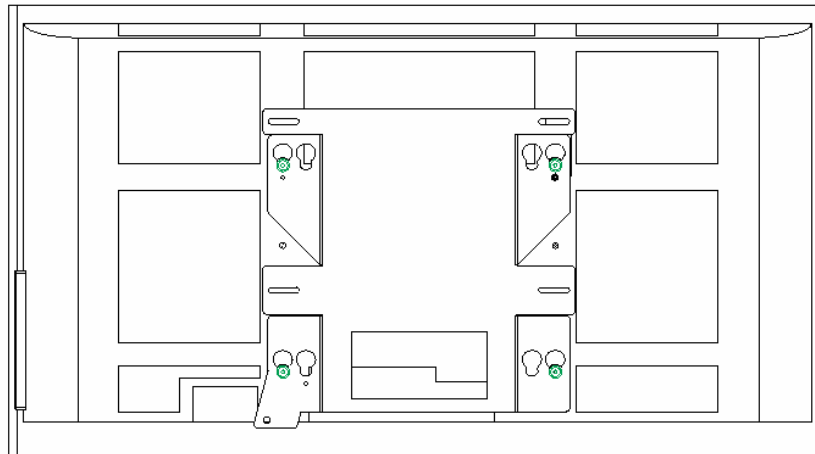


Figure 5