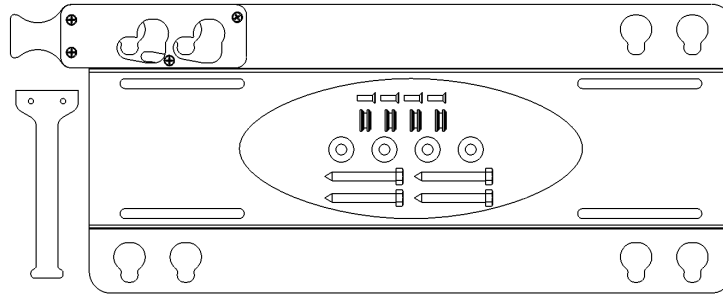

INSTALLATION INSTRUCTIONS

DISPLAY STATIC MOUNT PSMT-2015



- (1) Static Mount Bracket
(4) M5 x 16mm Phillips Flat Head Screws
(4) 5/16" X 2.5" Hex Head Lag Screws
- Figure 1
- (4) Mounting Buttons
(1) Long Flag Extender
(4) 5/16" Flat Washer

BEFORE PROCEEDING: Unpack the carton, verify contents shown in Figure 1 and read installation instructions completely. If you are missing any of the listed components, please contact Customer Service at 1-800/582-6480.

CAUTION! Displays are Extremely Fragile.

WARNING ALL COMPONENTS MUST BE SECURELY FASTENED TO A STRUCTURAL MEMBER CAPABLE OF SUPPORTING 4 TIMES THE COMBINED WEIGHT OF ALL COMPONENTS PLUS THE EQUIPMENT BEING MOUNTED. IF IT CANNOT SUPPORT THIS WEIGHT, THE STRUCTURE MUST BE REINFORCED. THE MAXIMUM WEIGHT TO BE INSTALLED ON THE MOUNT IS 175 POUNDS (79.38 KG).

1. For 42" screens the short flag extender that comes attached to the mount can be removed and replaced with longer flag extender that is included (See figure 2). The longer flag extender may also be used with 37" screens.

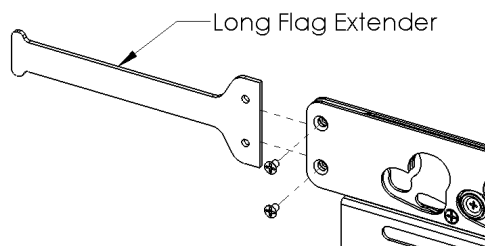


Figure 2

2. Attach mounting buttons to back of screen using supplied M5 x 16mm Phillips Flat Head Screws (See figure 3 & 4).
3. Securely anchor the static mount to wall studs or supporting framework using the lag screws and flat washers. (See Figure 5)
4. Slide the latch to open mounting slot (See figure 6).
5. With the aid of another person, lift the display up to the mount, align the mounting buttons on the screen with the teardrop slots in the mount, and set the screen into place (see Figure 7).
6. Slide the flag closed to secure the display.

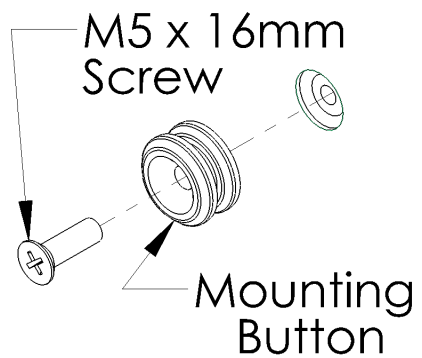


Figure 3

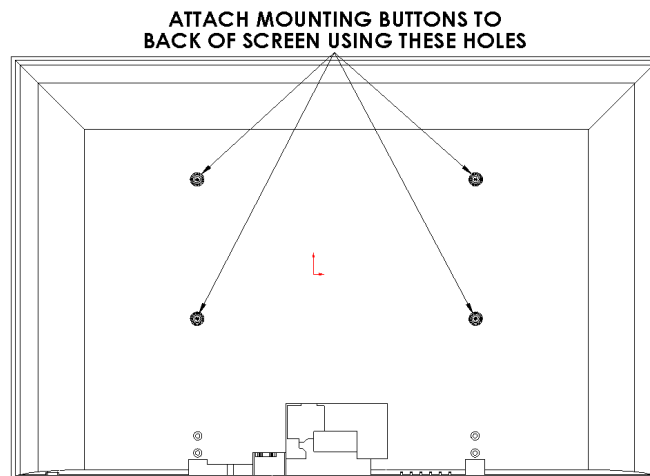


Figure 4

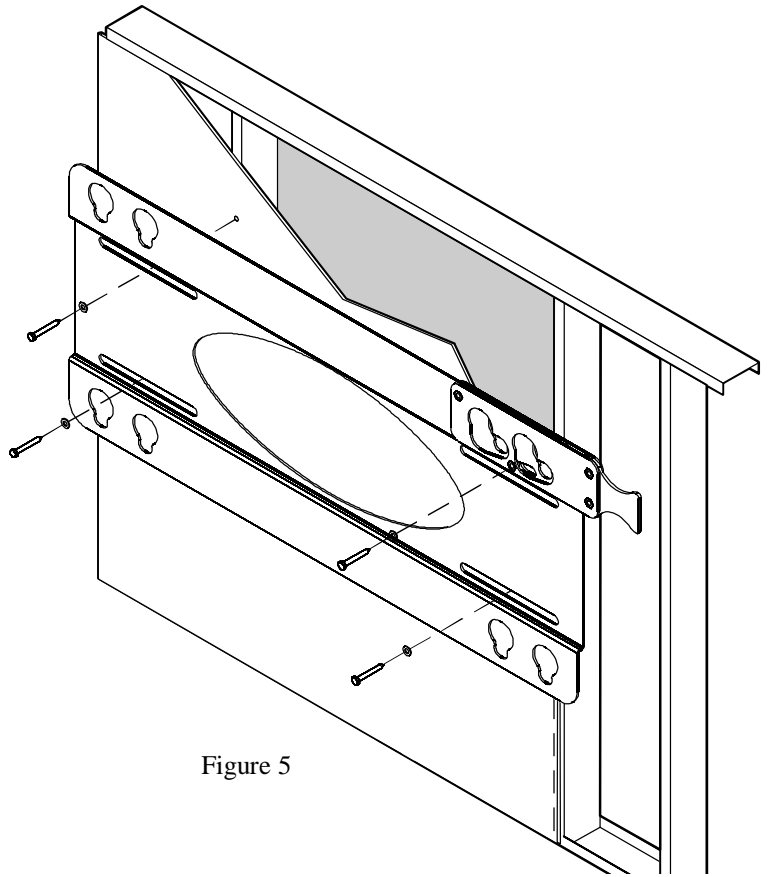


Figure 5

SLIDE LATCH UP AND OVER
TO OPEN MOUNTING SLOTS

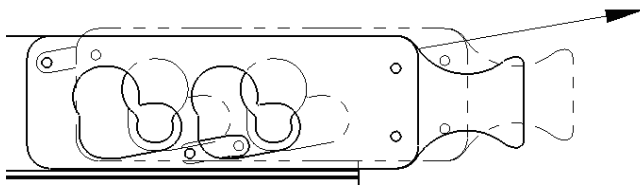


Figure 6

SLIDE LATCH CLOSED TO SECURE SCREEN ON MOUNT

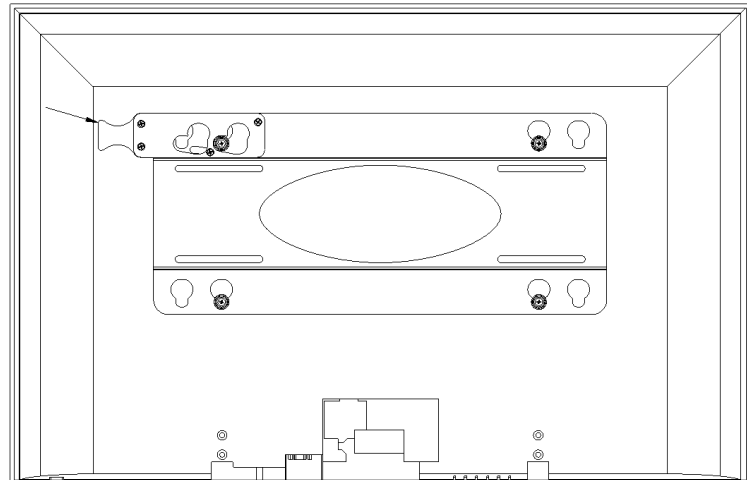


Figure 7