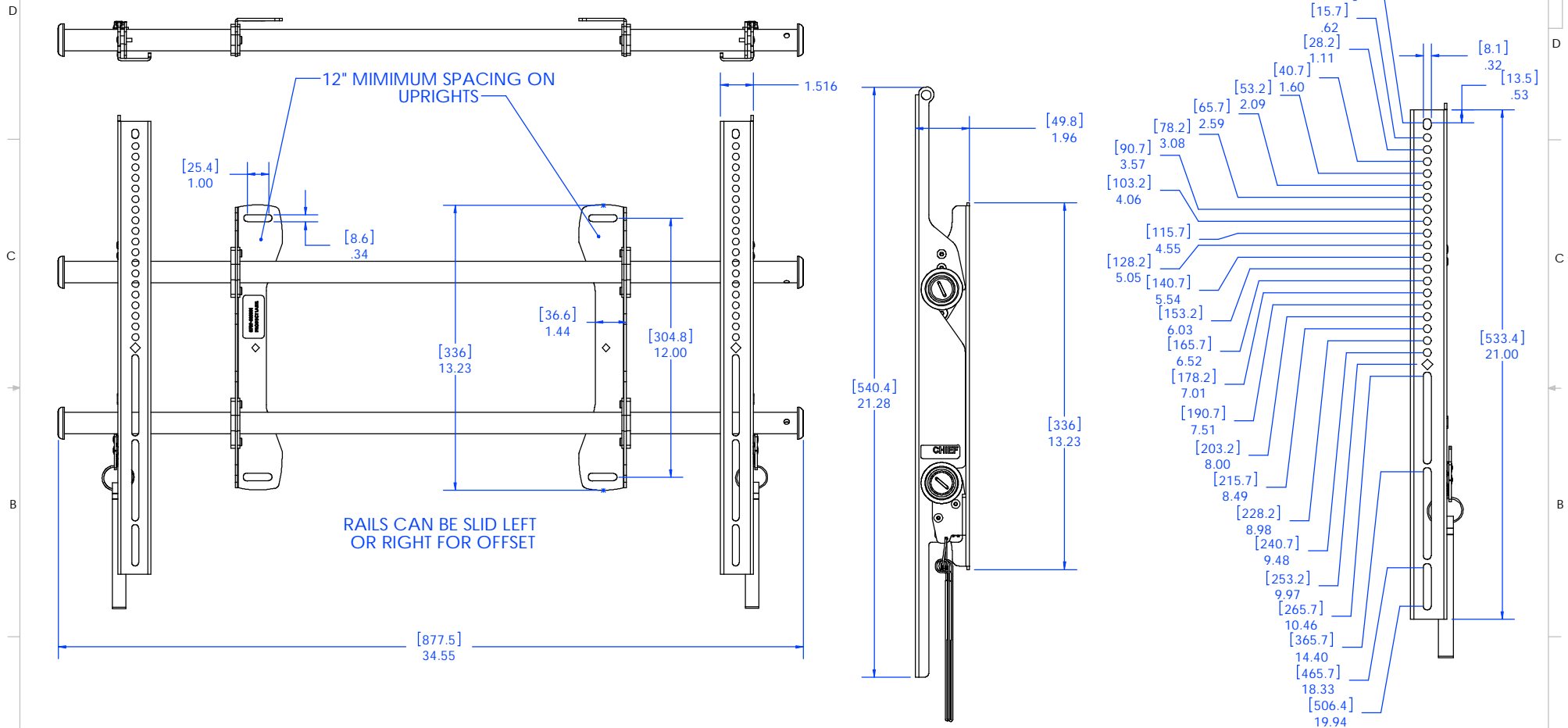


MAX MOUNTING PATTERN IS 31.8" (807.7 mm) WITHOUT REVERSING UPRIGHTS
 WITH REVERSING THE UPRIGHTS
 MAX MOUNTING PATTERN IS 34.3" (871.2 mm)



CHIEF MANUFACTURING INC.
 MOUNT ORDER NUMBER IS LSAU OR LSAXXXX
 PHONE: 1-800-582-6480

THE INFORMATION AND DESIGNS CONTAINED IN THIS DRAWING ARE CONFIDENTIAL AND THE PROPRIETARY PROPERTY OF CHIEF MFG., INC. NEITHER THIS DESIGN NOR ANY INFORMATION CONTAINED IN THIS DRAWING MAY BE REPRODUCED OR DISCLOSED TO OTHERS WITHOUT THE EXPRESS WRITTEN CONSENT OF CHIEF MFG., INC.

CHIEF MANUFACTURING, INC.
 8401 EAGLE CREEK PKWY STE. 700, SAVAGE, MN 55378
 1.800.582.6480 • FAX 1.877.894.6918

LSAU AND
 LSAXXXX