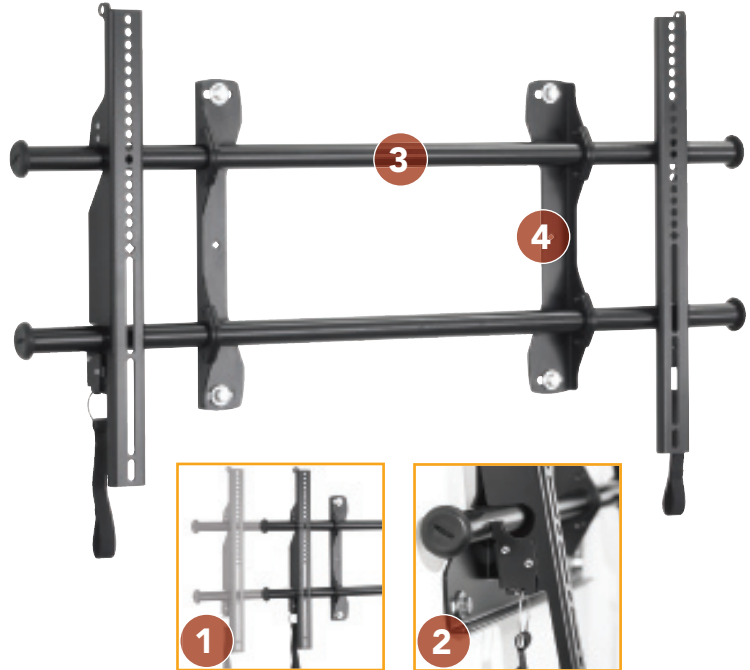




FEATURES

- 1 CENTERLESS™ SHIFT**
Provides up to 17.5" of post-installation lateral shift – 8.75" left/right of uprights – for limitless centering capabilities.
- 2 CLICKCONNECT®**
Hear an audible click when the screen safely engages with the mount. A built-in cable stand provides easy access under the screen.
- 3 CUSTOMIZABLE ACCESSORY SYSTEM**
A full line of supporting accessories can be integrated with the mount, extending the same adjustment benefits to the entire configuration.
- 4 MULTIPLE INSTALLATION OPTIONS**
Can be installed on 12" on-centers up to 32".



SPECIFICATIONS

Depth from Wall	1.96" (50 mm)
Max Lateral Shift	17.5" (445 mm)
Dimensions (HxWxD)	13.2" x 34.44" x 1.96" (335 x 875 x 50 mm)
Max Mounting Pattern	19.88" (505 mm), height 34.25" (870 mm), width
Weight Capacity	200 lbs (90.7 kg)
Color	Black

WHAT YOU NEED TO KNOW

ORDERING OPTIONS

Available in custom or universal.

MULTIPLE INSTALLATION OPTIONS

Can be installed on 12" on-centers up to 32".

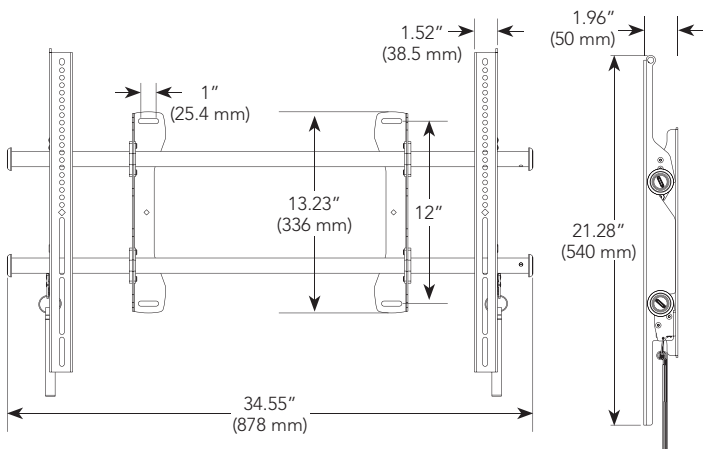
OTHER PRODUCT OPTIONS



RLF1™

Fixed Rail Wall Mount
– For flat panels 30 - 60"

TECHNICAL DRAWINGS



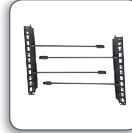
RECOMMENDED ACCESSORIES



FVS150 ■ 12" Video Conferencing Shelf - below



FCS100 ■ Single Component Shelf - below



FLR100 ■ Left/Right Speaker Adapter

For a complete list of FUSION mount accessories see page 87.