



# Tablet Management Wall Mount for iPad®

ENGLISH



[www.ergotron.com](http://www.ergotron.com)

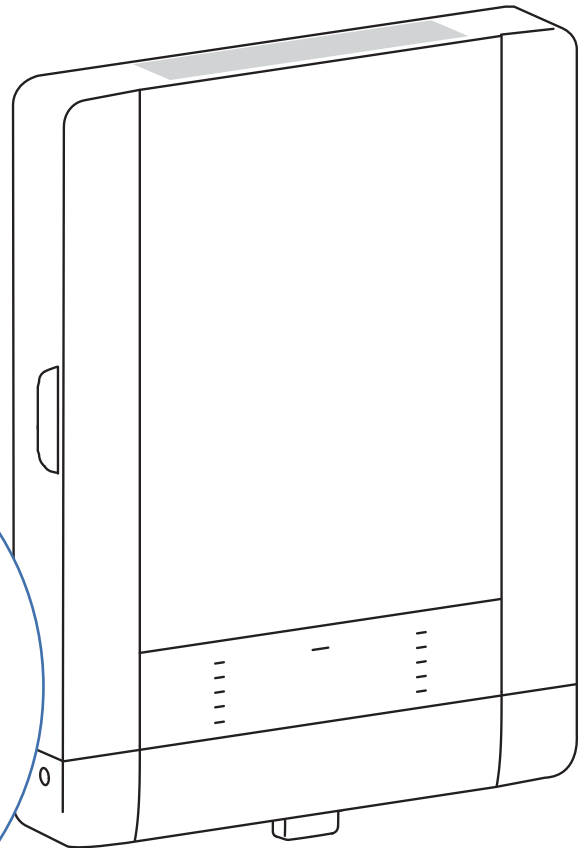
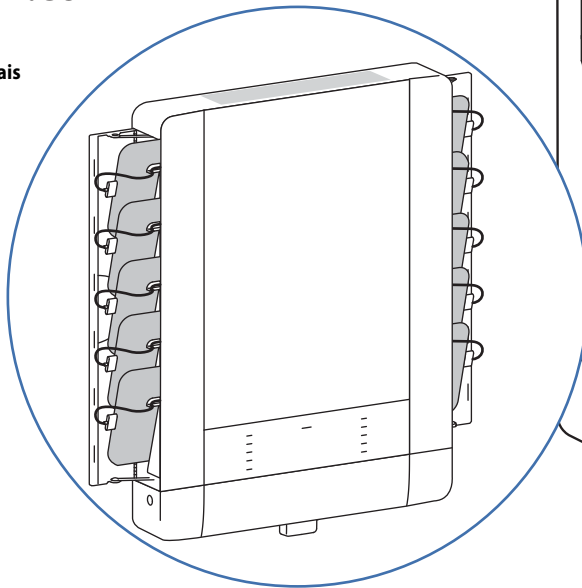


USA 1-800-888-8458  
Europe +31 (0)33-45 45 600  
China 86-769-86018920

For service and warranty visit [www.ergotron.com](http://www.ergotron.com)  
Si desea información de servicio y garantía, visite [www.ergotron.com](http://www.ergotron.com)  
Pour toute question concernant la garantie ou le service client, consultez [www.ergotron.com](http://www.ergotron.com)  
Weitere Informationen zu Service und Gewährleistung erhalten Sie unter [www.ergotron.com](http://www.ergotron.com).  
Ga voor service en garantie naar [www.ergotron.com](http://www.ergotron.com)  
Per assistenza e la garanzia visitate [www.ergotron.com](http://www.ergotron.com)  
Gå in på [www.ergotron.com](http://www.ergotron.com) för service och garanti  
サービスおよび保証について詳しくは、[www.ergotron.com](http://www.ergotron.com) をご覧ください。  
有关服务和保修，请访问 [www.ergotron.com](http://www.ergotron.com)

## www.ergotron.com

- User's Guide - English
- Guía del usuario - Español
- Manuel de l'utilisateur - Français
- Gebruikersgids - Nederlands
- Benutzerhandbuch - Deutsch
- Guida per l'utente - Italiano
- Användarhandbok - svenska
- ユーザーガイド : 日本語
- 用户指南 : 汉语



## Table of Contents

Hazard Symbols Review & Safety .....	2
Components & Tools .....	2
Mounting Considerations .....	3
Set-up .....	3 - 8
Wood Stud Attachment .....	4
Concrete Attachment .....	6
Charging and Syncing .....	9 - 10
Cleaning and Maintenance .....	11
Specifications .....	12
Service and Warranty Information .....	12



≤ 24lbs. (11 kg)

**Max weight 24 lbs (11 kg)**  
**CAUTION: DO NOT EXCEED MAXIMUM LISTED WEIGHT CAPACITY. SERIOUS INJURY OR PROPERTY DAMAGE MAY OCCUR!**







**Reduce.Reuse.Recycle**

Apple, iPad, iPhone, iPod, iPod touch, iTunes, Lightning and Macintosh are trademarks of Apple Inc., registered in the U.S. and other countries.

# Hazard Symbols Review

These symbols alert users of a safety condition that demands attention. All users should be able to recognize and understand the significance of the following Safety Hazards if encountered on the product or within the documentation. Children who are not able to recognize and respond appropriately to Safety Alerts should not use this product without adult supervision!

Symbol	Signal Word	Level of Hazard
	<b>NOTE</b>	A NOTE indicates important information that helps you make better use of this product.
	<b>CAUTION</b>	A CAUTION indicates either potential damage to hardware or loss of data and tells you how to avoid the problem.
	<b>WARNING</b>	A WARNING indicates either potential for property damage, personal injury, or death.
	<b>ELECTRICAL</b>	An Electrical indicates an impending electrical hazard which, if not avoided, may result in personal injury, fire and/or death.

## Safety



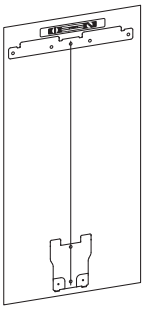
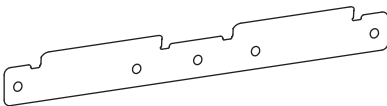
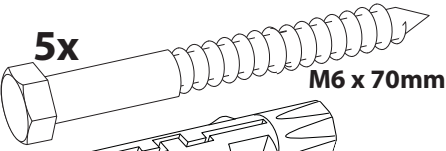
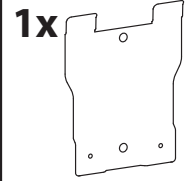
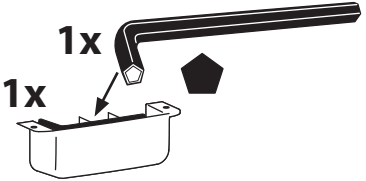
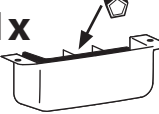
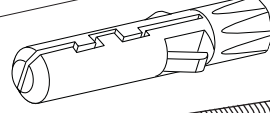
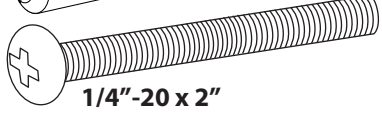
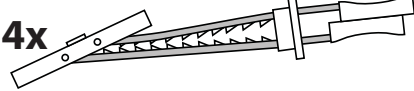


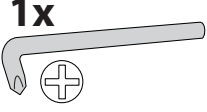

**WARNING:** Because surfaces vary widely and the ultimate mounting method is out of Ergotron's control, it is imperative that you consult with appropriate engineering, architectural or construction professional to ensure that your Ergotron mounting solution is mounted properly to handle applied loads.



**CAUTION:** Make sure the wall mount bracket is level, flush and snug to the wall surface. **DO NOT OVERTIGHTEN THE BOLTS.**

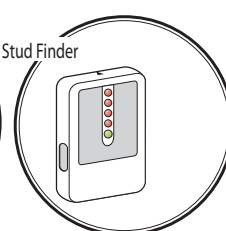
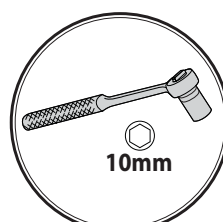
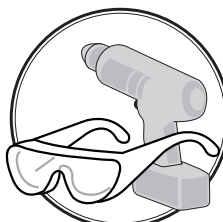
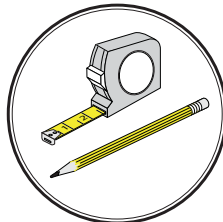
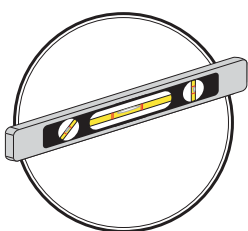
## Components



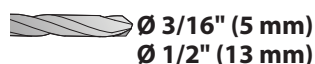
	A	B	C	D
1	1x 	1x 		5x  M6 x 70mm
2		1x 	1x  1x 	5x  4x  1/4"-20 x 2"
3	4x 	2x 		2x  M4 x 8mm 1x  2x  M4 x 12mm PENTA



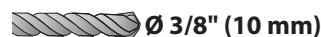
## Tools Needed



### WOOD

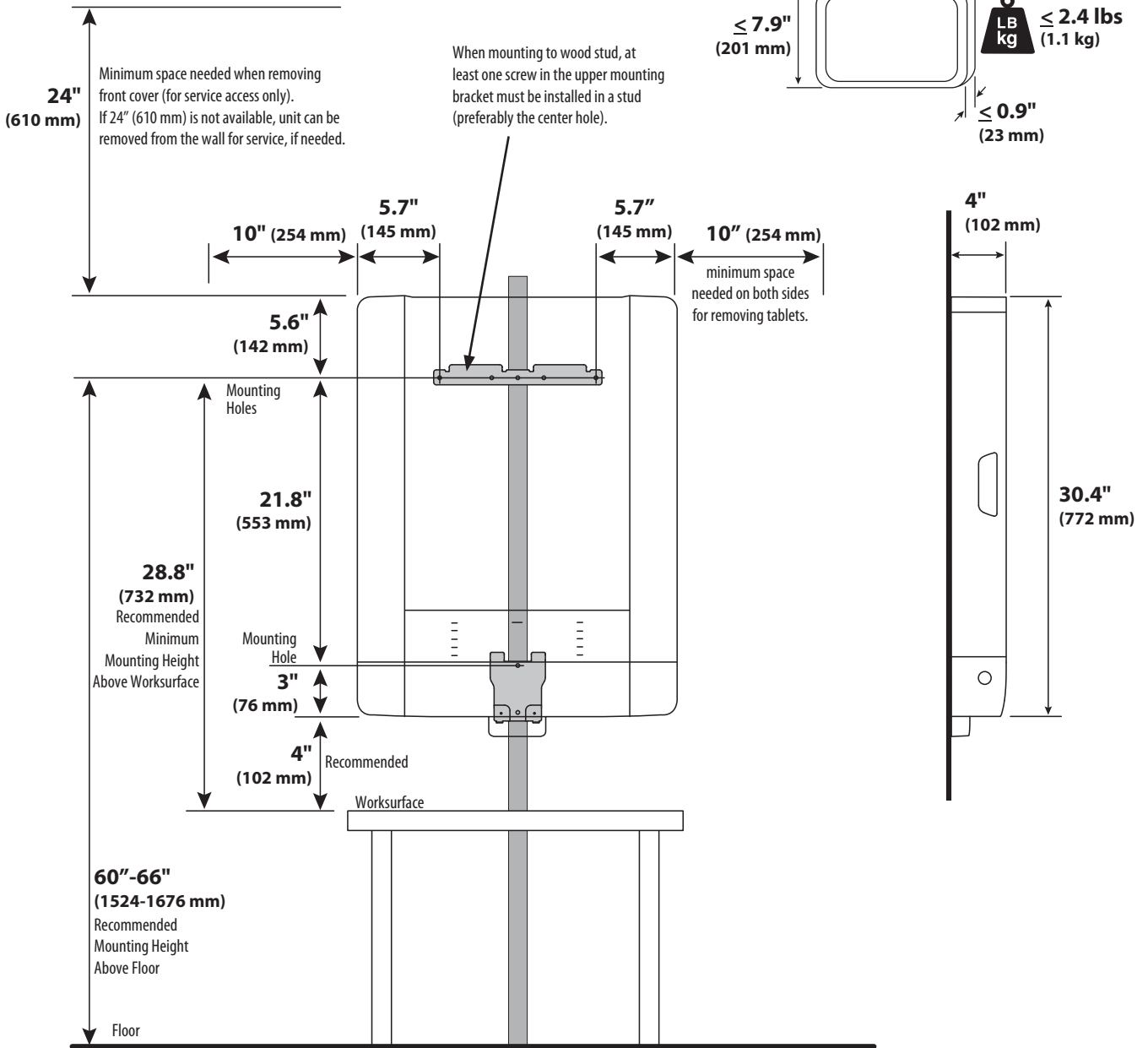


### CONCRETE

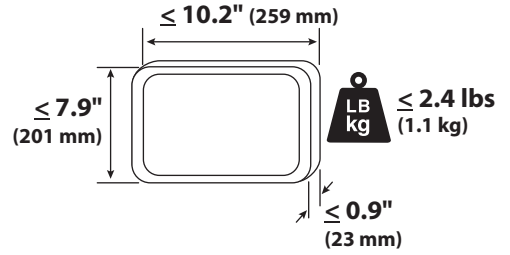


# 1 Mounting Considerations

## Space Requirements:

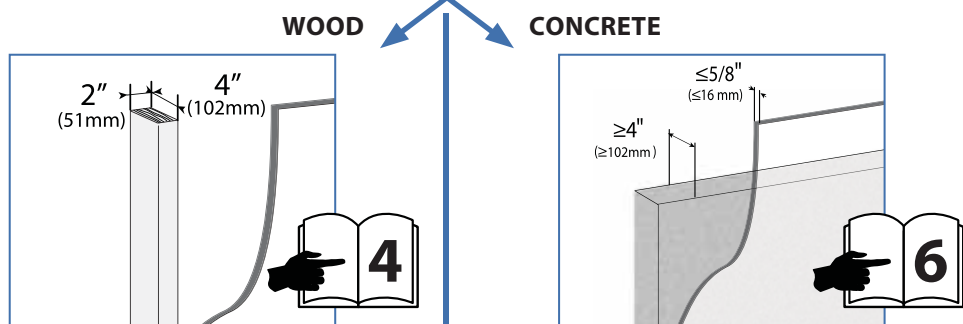


## Maximum Tablet Size and Weight (including case):

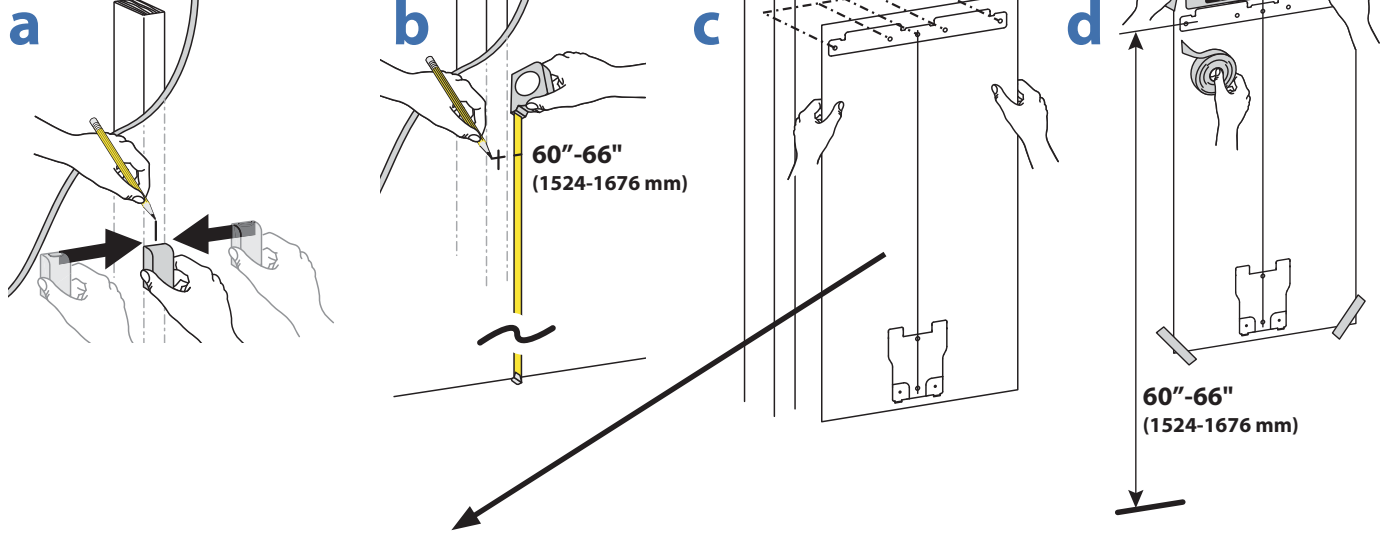
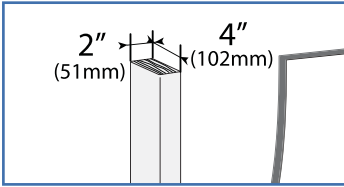


# Set-up Steps

## 2

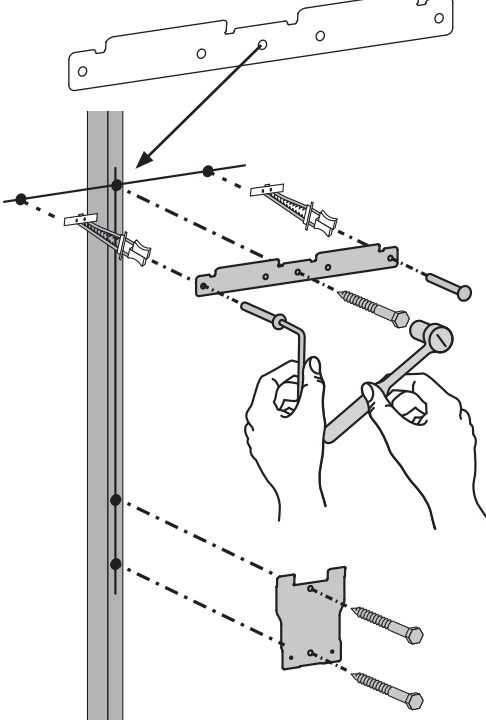


WOOD

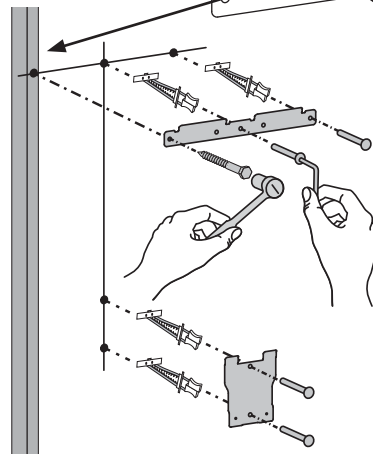


5 STUD LOCATION OPTIONS.

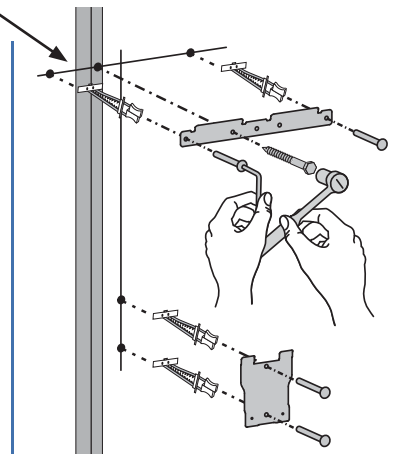
**1** RECOMMENDED Center Hole in Stud



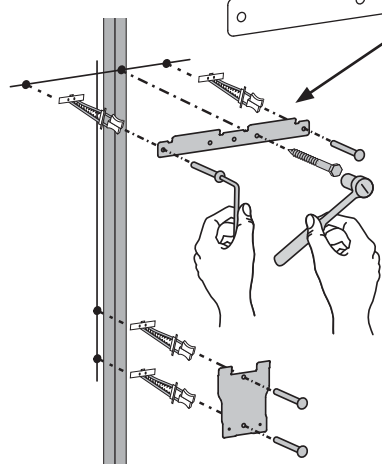
**2** Left Hole in Stud



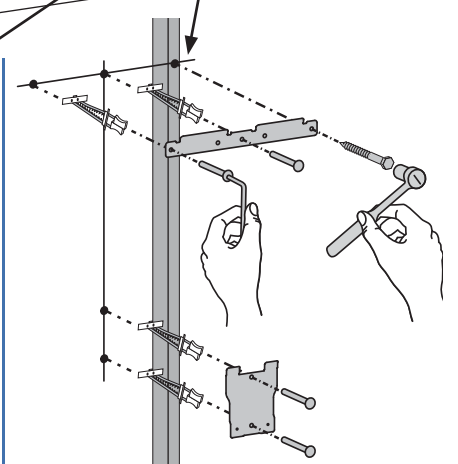
**3** Middle Left Hole in Stud

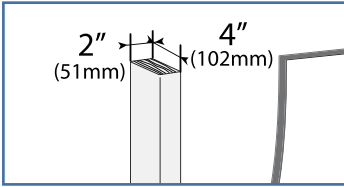


**4** Middle Right Hole in Stud



**5** Right Hole in Stud





**WOOD**

**e** Drill the three holes in the top bracket that correspond with the chosen stud location option from inset 'g' below. Then drill the two holes in the bottom bracket.

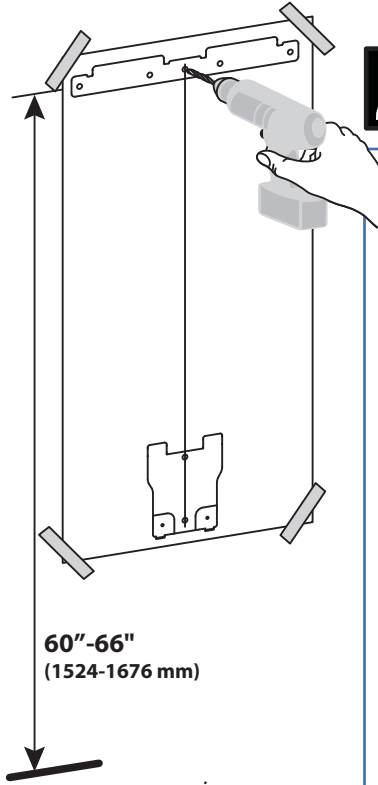


**NOTE:** Use the  $\varnothing 3/16"$  (5 mm) drill bit when drilling directly into the wood stud.

Use the  $\varnothing 1/2"$  (13 mm) drill bit when drilling into the hollow wall for the anchors. Use hollow wall anchors where ever a screw does not get inserted directly into the wood stud.

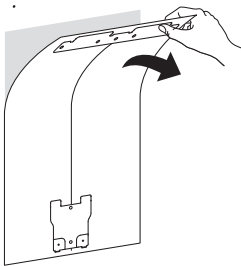


**NOTE:** Bottom Bracket mounting holes will always line up vertically with the center mounting hole in the Top Bracket.



60"-66"  
(1524-1676 mm)

**f**

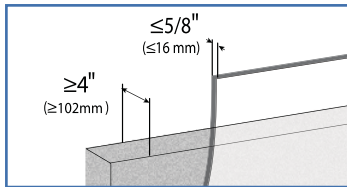


WOOD STUD	HOLLOW WALL
<p><math>\varnothing 3/16"</math> (5 mm)</p>	<p><math>\varnothing 1/2"</math> (13 mm)</p>
<p>10mm M6 x 70mm</p>	<p>1/4" - 20 x 2"</p>

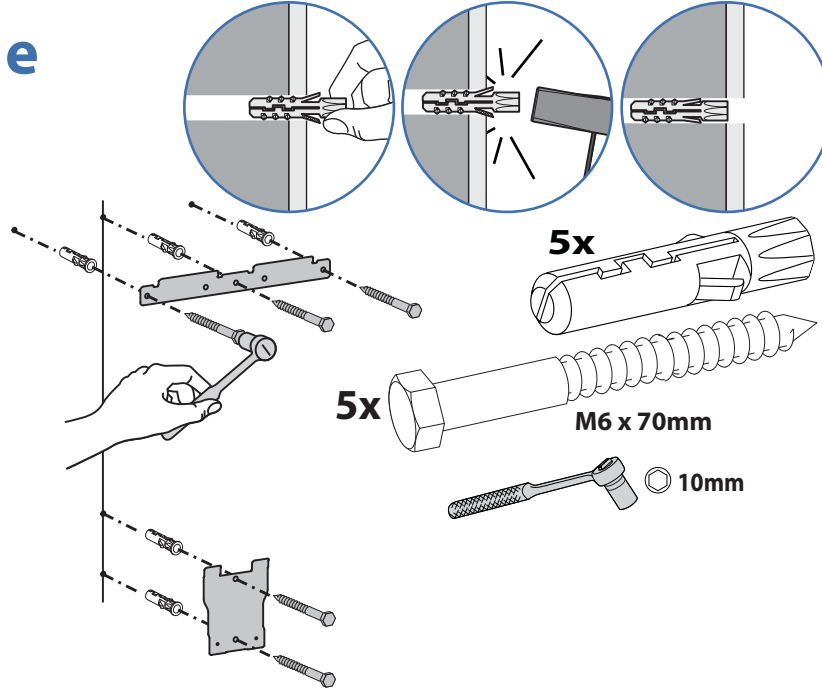
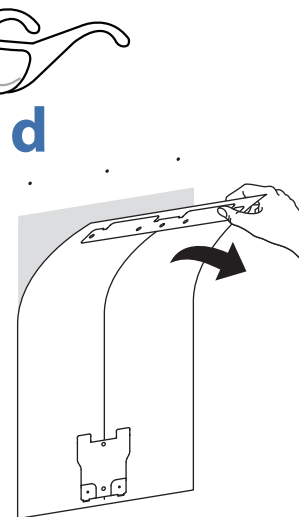
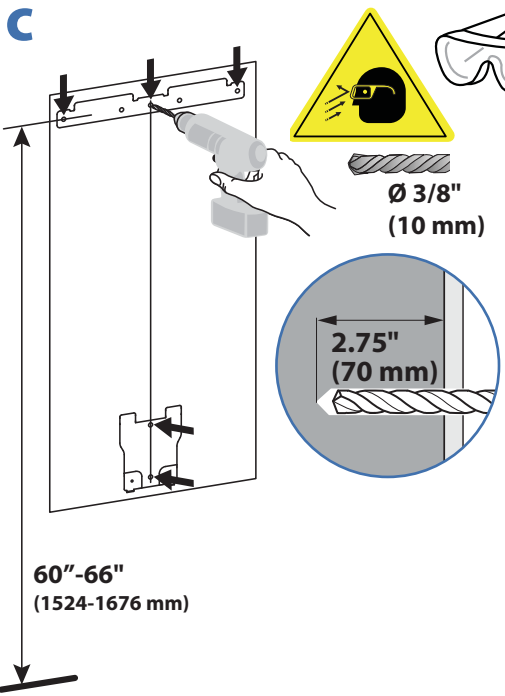
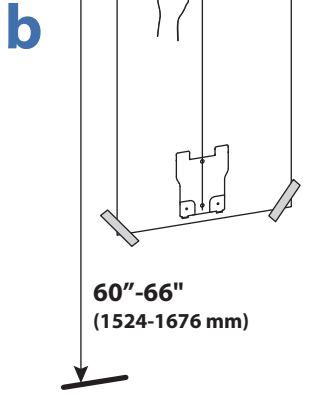
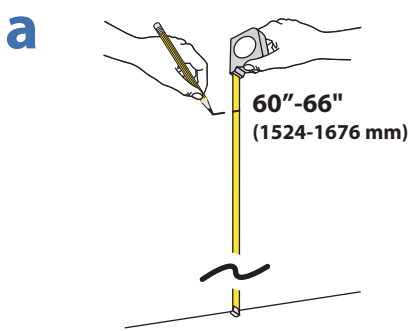
**g** Attach brackets to wall.

Left Hole in Stud	Middle Left Hole in Stud	Center Hole in Stud	Middle Right Hole in Stud	Right Hole in Stud
<p><b>1</b></p>	<p><b>2</b></p>	<p><b>3</b></p>	<p><b>4</b></p>	<p><b>5</b></p>





CONCRETE



**WARNING:** Mounting holes must be at least 3-1/8" (80mm) deep and must be located within solid concrete, not mortar or covering material. If you drill into an area of concrete that is not solid, reposition mounting holes until both anchors can be fully inserted into solid concrete!

**AVISO:** Los taladros deben tener una profundidad mínima de 80 mm. y deben realizarse en la capa sólida de ladrillo u hormigón y no en el revestimiento o capa de enlucido. Si taladra en una zona poco sólida, coloque de nuevo los 2 huecos para el montaje de forma que queden dispuestos en una capa sólida.

**ATTENTION:** Les trous que vous allez percer doivent être d'une profondeur minimale de 80 mm et correctement placés dans le béton (pas dans les joints). Si vous percez dans une partie insuffisamment résistante, repositionnez la platine pour que les 2 trous soient tous situés dans le béton!

**AVISO:** As furações na parede devem ter pelo menos 80mm de profundidade e feitas em paredes sólidas (betão) e não em argamassa ou outro tipo de material frágil. Se estiver a furar numa área em que a parede não é muito sólida, tente novamente até encontrar uma área sólida.

**ACHTUNG:** Die Bohrlöcher müssen mindesten 80 mm tief sein und sollten in Massivbeton gebohrt werden, nicht in Mörtel oder Abdeckmaterialien. Sollten Sie beim Bohren feststellen, dass Sie in Beton bohren, der Hohlräume enthält, so wiederholen Sie den Vorgang bis sich alle vier Bohrlöcher vollständig in massivem Beton befinden.

**WAARSCHUWING:** De bevestigingsgaten moeten tenminste 80 mm diep zijn en mogen alleen in massief metselwerk of beton worden geboord, niet in de voegen of in de wandafwerking. Verander de plaats van de bevestigingsgaten wanneer u merkt dat u niet in massief beton boort, totdat alle vier de pluggen volledig in massief beton of metselwerk kunnen worden verankerd.

**ATTENZIONE:** I fori di montaggio devono avere una profondità minima di 80mm e devono essere ricavati nel cemento solido, non calce o materiale di rivestimento. Se incontrate materiale diverso dal cemento, riposizionate i fori di montaggio in modo che tutt'e quattro le viti di montaggio siano inserite nel cemento!

**警告:** マウントホールは最低3-1/8" (80 mm) の深さが必要です。外壁がモルタルやその他の材質で、内壁がコンクリートの壁にドリルで穴を開ける場合、両方のアンカーがコンクリート内壁に完全に挿入されるよう、マウントホールを再調整します。

**警告:** 安装孔的深度至少 3-1/8" (80mm) 并且必须位于硬水泥墙面, 而不是灰泥或覆盖材料。如果钻孔碰到不牢固的水泥区, 要重新找安装孔, 直到锚控能够完全嵌入硬水泥中!



**WARNING:** Anchors that are not fully set in solid concrete will not support the applied load resulting in an unstable, unsafe condition which could lead to personal injury and/or property damage. Consult a construction professional if you have any doubt about what this means in regard to your particular situation.

**AVISO:** Los tacos deben introducirse por completo en el ladrillo u hormigón, pues de otro modo no soportarán el peso de su monitor, dando lugar a una instalación inestable e insegura que puede ocasionar lesiones personales y / o daños en el monitor y la pared. Consulte a un instalador profesional si tiene dudas al respecto de su caso particular.

**ATTENTION:** Des chevilles qui ne sont pas entièrement insérées dans le béton risquent de créer une faiblesse dans le montage et d'entraîner des dommages corporels et/ou matériels. En cas de doute, contactez un professionnel.

**ACHTUNG:** Verankerungen die sich in nicht vollständig massivem Beton befinden, werden das Gewicht der angehängten Last nicht tragen und zu einem instabilen, unsicheren Zustand führen, der zu Personen- und/oder Sachschaden führen kann.

**WAARSCHUWING:** Pluggen die niet volledig in het beton zijn verankerd zullen de op te hangen apparatuur niet kunnen dragen, dit zal leiden tot een onveilige en onstabiele situatie wat lichamelijk letsel en schade aan de muur en het beeldscherm kan veroorzaken.

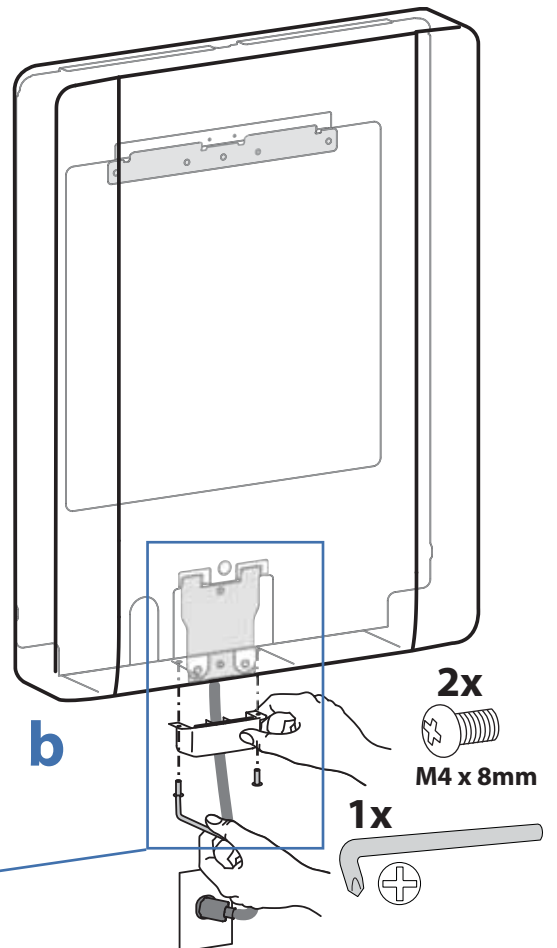
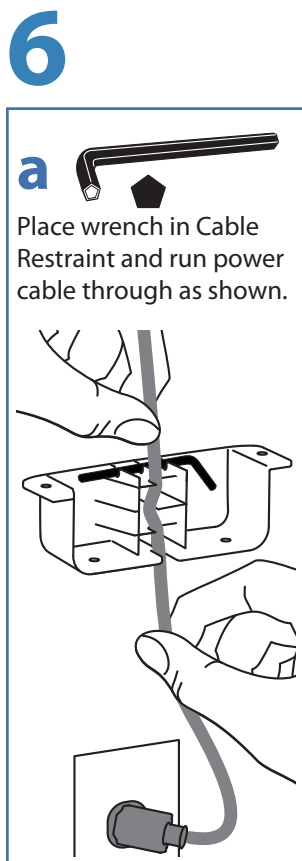
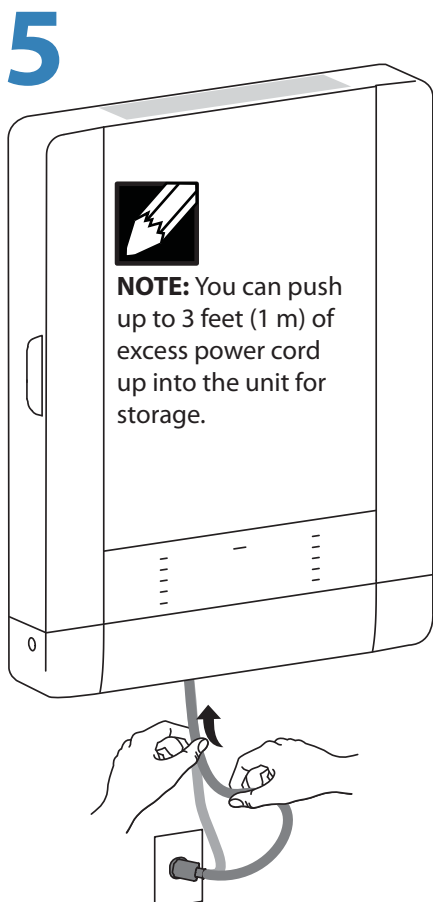
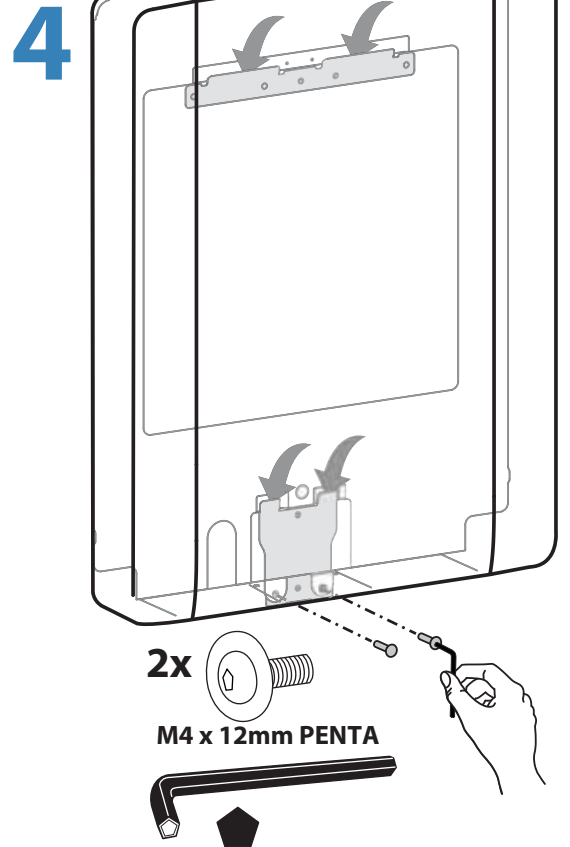
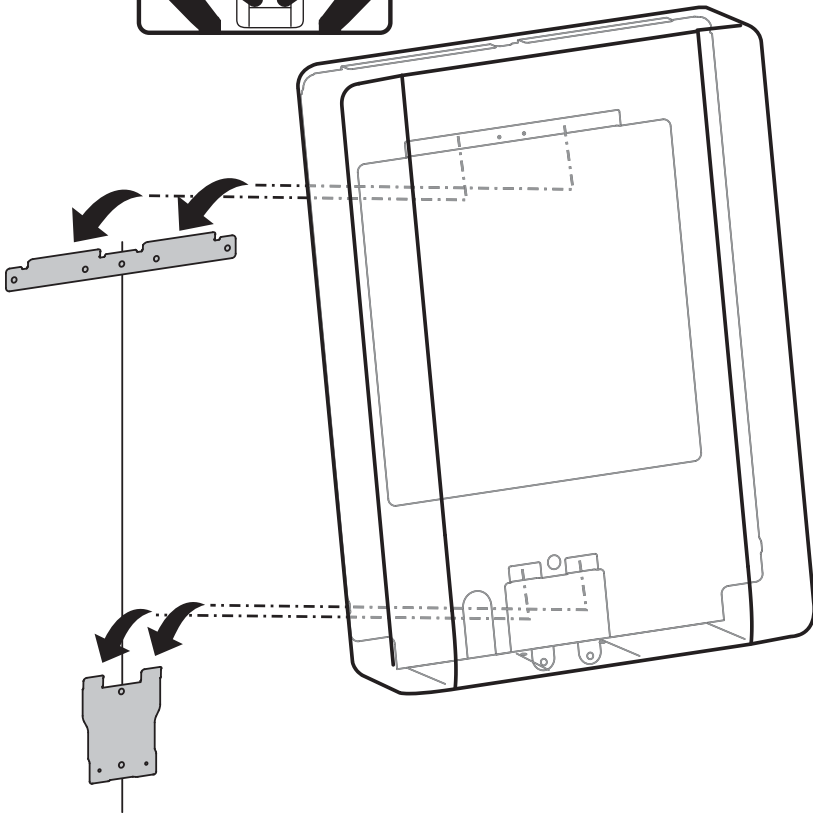
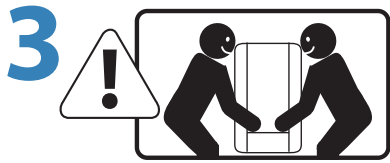
**ATTENZIONE:** Tasselli che non facciano presa nel cemento non saranno in grado di reggere il carico, con conseguente instabilità e mancanza di sicurezza, che possono condurre a danni alle persone ed alle cose.

**警告:** アンカーがコンクリート内壁にしっかり取まっていない場合、加重重量をサポートできず、けが及び/または物的損害の原因となる不安定で危険な状況となりかねません。特定用途に壁の強度の良し悪しが懸念される場合は建設業者にご相談ください。

**警告:** 没有完全嵌入的锚控无法支撑重量, 结果造成不稳定、不安全的情况, 这会导致人员及或财产伤害。如果您对具体应用还存在疑惑, 请咨询建筑专业人士。

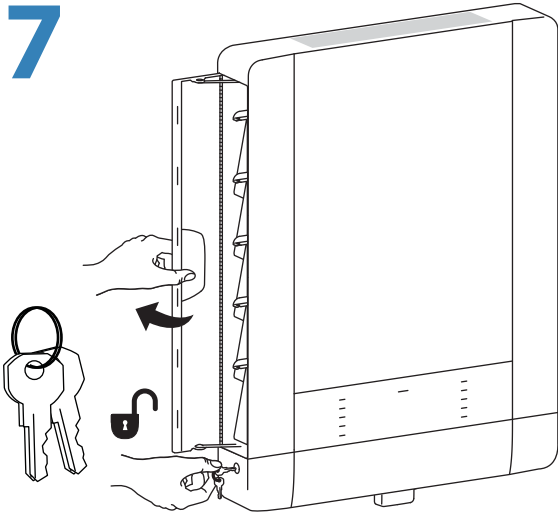


# Set-up Steps

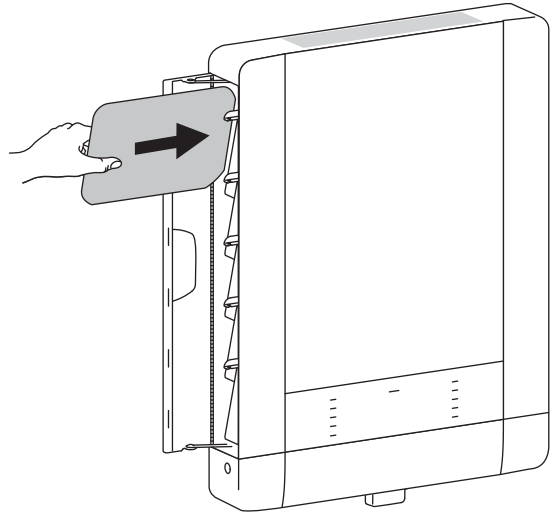


# Set-up Steps

## 7

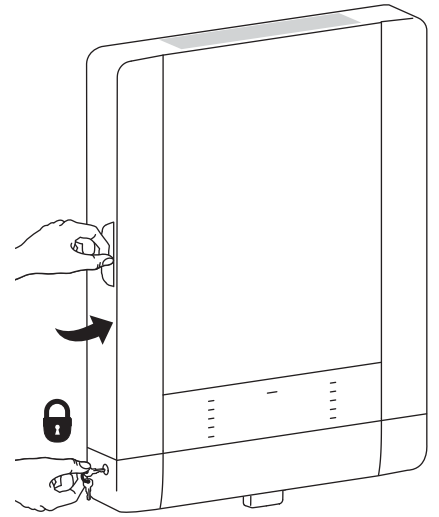
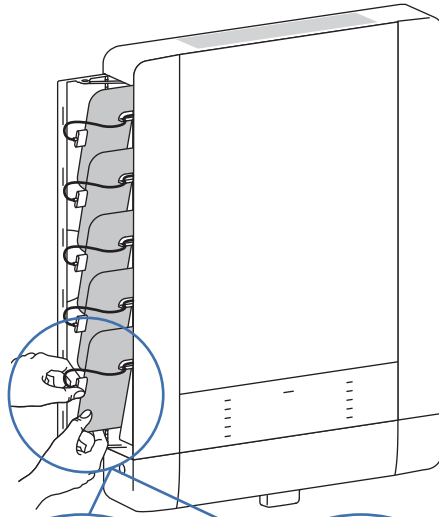
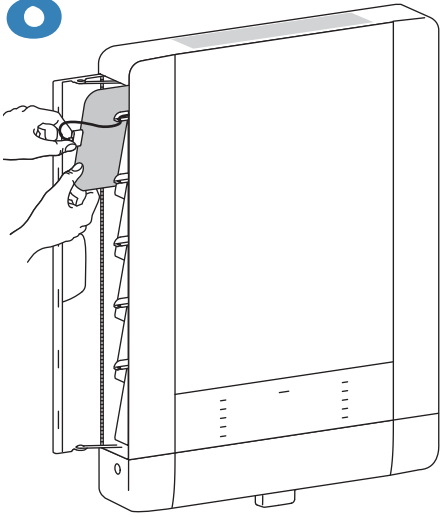


**NOTE:** To keep door unlocked, pull key out while unlocked.

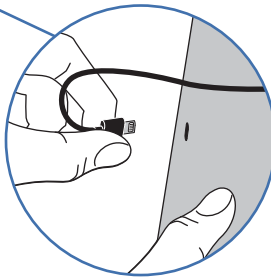
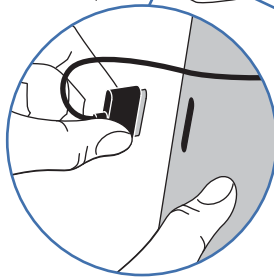


**NOTE:** Tablet screen should face the wall when inserting.

## 8

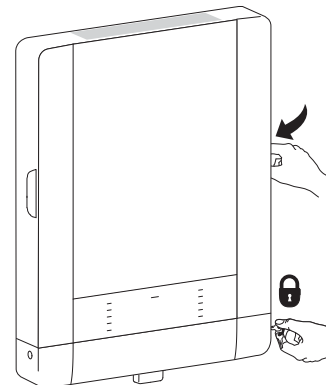
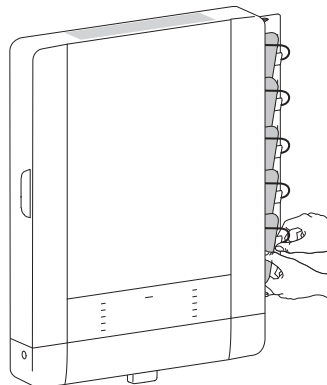
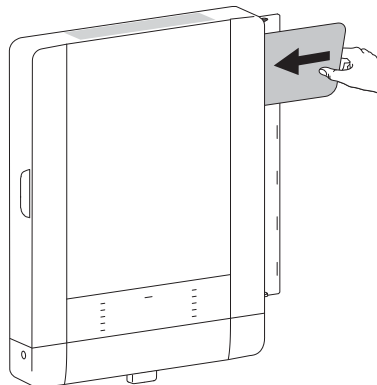
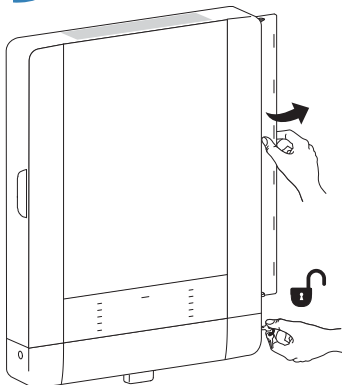


30 Pin Cable

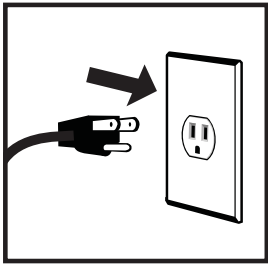


Lightning™ Cable

## 9



# 10 Tablet Charging



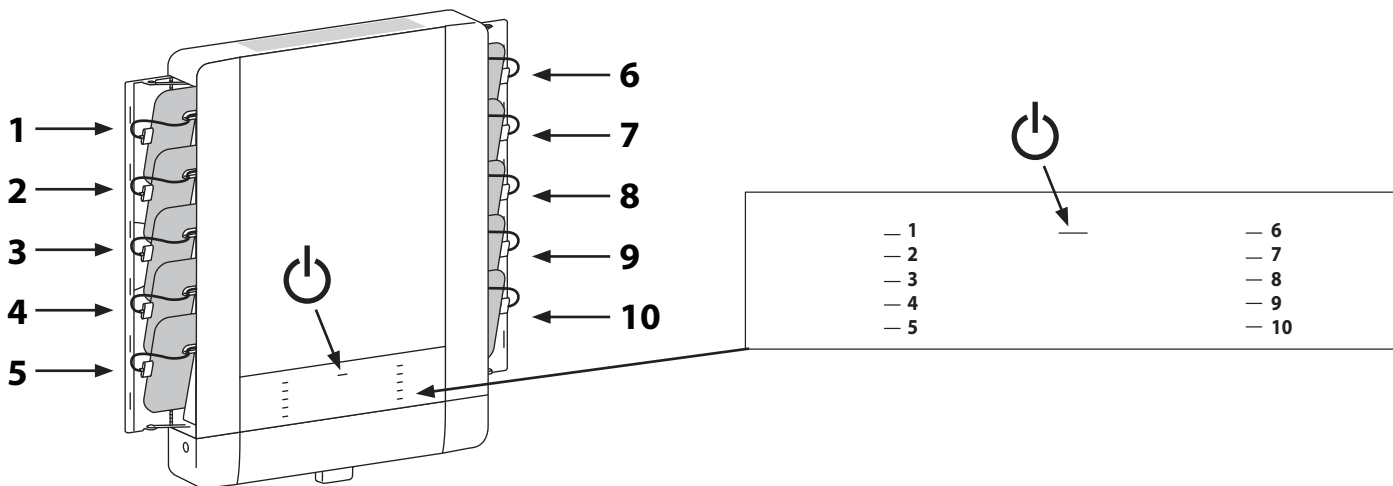
To begin charging the tablets, plug in the power cord.

The power cord is used to turn the power on and off. Charging occurs whenever the power cord is connected UNLESS a Macintosh® or PC notebook USB cable is connected for syncing.



**NOTE:** The power cord acts as the connect/disconnect device switching power off and on. The socket outlet shall be installed near the equipment and shall be easily accessible.

## LED - Indicators



**Power Indicator** – Communicates sync and charge status with the following signals:

Light	Description
Off	No power to the module.
On - solid	iPad devices are charging.
On - slow blink	Computer is plugged into USB port and iPad devices are ready to sync or are syncing.
On - fast blink	Fault Status. Please make sure all cables are seated correctly and product is operating within specified operating temperature. Can also indicate a failed 30 pin or lightning cable. Contact Ergotron Customer Support if problem continues.

**1-10 Individual Status Indicators (ISI)** – Sequentially numbered LEDs (1 - 10) corresponding to each tablet in the module:

Light	Description
Green	Fully charged.
Amber	Charging in progress.
Off	No device connected.



**NOTE:** If module is syncing all ISIs will be green.

## Tablet Syncing



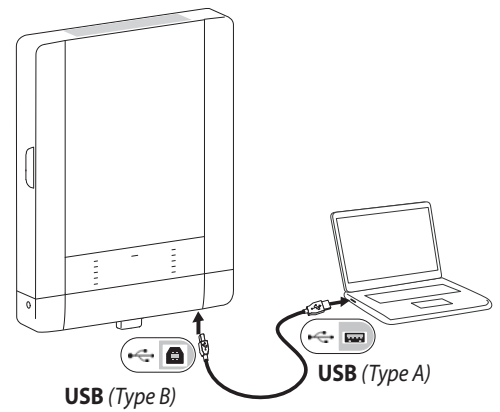
**NOTE:** Complete the Tablet Charging instructions before starting the Syncing Instructions. iPad devices should be charged at least 50% before starting the syncing process.

The iPad devices will mount as USB devices when the included USB cable is connected to a host notebook via the USB port on the bottom of the module.

To start syncing, connect a USB cable from a notebook to the USB port on the bottom of the unit. Switch on the notebook power to begin syncing.

Apple iPad or iPod touch® devices will sync to a host notebook using iTunes®. If the Macintosh or PC notebook power is on, and the notebook is running iTunes or Apple Configurator, the devices will sync to the notebook automatically when the USB cable is connected from the notebook to the USB port on the bottom of the module.

Please see included separate instructions for specific setup of iTunes and your Apple devices.



# Cleaning and Maintenance

## Equipment Electric Safety

There are specific risks associated with the use of equipment having power cables. You must be aware of, and avoid these risks when this product is located in close proximity to children.



**WARNING:** Failure to observe the following Electrical Safety notices can result in fire or death by electric shock.



Electrical cables can be hazardous. Misuse can result in fire or death by electrical shock.

- Double Pole / Neutral Fusing
- Inspect power cables thoroughly before each use.
- Do not use cables that are damaged.
- Insert the plug completely into the outlet.
- Grasp the plug to remove from the outlet.
- Do not unplug by pulling on the cable.
- Do not use excessive force to make connections.
- Do not plug the cable into an extension cable.
- Do not remove, bend or modify any metal prongs or pins of cable.
- Do not drive, drag or place objects over the cable.
- Do not walk on the cable.
- Avoid overheating. Uncoil the cable and do not cover it with any material.
- Do not run cable through doorways, holes in ceilings, walls or floors.



Keep this product away from water.

- Do not use it when wet.
- Do not place this product in close proximity to flammable liquids or gases.



This product is intended for use only with loading as indicated. Use with loads greater than indicated may result in instability causing possible injury.



The power cord acts as the connect/disconnect device switching power off and on. The socket outlet shall be installed near the equipment and shall be easily accessible.



**CAUTION:** Changes or Modifications not expressly approved by Ergotron could void the user's authority to operate the equipment.

## Use Safety

There are specific risks associated with the use of this product (for charging or storage). You must be aware of, and avoid these risks when this product is located in close proximity to children.




**WARNING:** Failure to observe the following Use Safety notices may result in serious personal injury or equipment damage.

Only Adults should use this product.

- Do not allow anyone to climb or hang on this product.
- Do not block the fans and vent openings. To prevent overheating, leave at least 127 mm (5-inch) clearance around fans and vents.

This product is designed to be used indoors only.

- Do not use this product to store equipment other than what has been noted in this guide.
- Do not use this product to store liquids or cleaning supplies.
- Do not place heavy objects on this product.
  - The maximum weight capacity is 24 lbs (11 kg).








This device complies with Part 15 of the FCC Rules. Operation is subject to the following two conditions: 1) This device may not cause harmful interference. 2) This device must accept any interference received, including interference that may cause undesired operation.


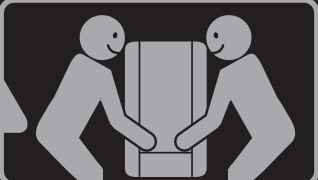
CAN ICES-3(A) / NMB-3(A).

この装置は、クラスA情報技術装置です。この装置を家庭環境で使用すると電波妨害を引き起こすことがあります。この場合には使用者が適切な対策を講ずるよう要求されることがあります。VCCI-A

**TABLET MANAGEMENT WALL MOUNT**

Input: 100-240 V~, 2.0A, 50/60 Hz

Product of China 827-039-00

# Specifications

## Dimensions

23.2"W x 31.8"H x 4.0"D (59 x 80.9 x 10.2 cm)

## Weight (w/o equipment)

32.5 lbs (14.7 kg)

## Rated weight capacity

24 lb (11 kg)

## Maximum tablet size

Individual tablet dimensions (including cover):

up to 10.2"H x 7.9"W x 0.9"D (25.9 x 20.1 x 2.3 cm)

Individual tablet weight:

up to 2.4 lb (1.1 kg)

## LED status indicators (ISI)

Lights indicate power status and syncing activity

10 LED lights

## Cooling/ventilation

One 5-volt DC continuous operation fan in each module

## Shipping dimensions

36.5" x 26.4" x 7.0" (92.6 x 67.0 x 17.7 cm)

## Shipping weight

39.5 lb (17.9 kg)

## Power system

Input: 100-240V~, 2.0A, 50/60 Hz

## Environmental

Temperature range:

Operating 0° to 30°C (32° to 86°F)

Storage -40° to 60°C (-40° to 140°F)

Relative humidity (maximum):

Operating 10%–90% (non condensing)

Storage 5%–95% (non condensing)

Altitude (maximum): 2000 m (6,562 ft)

## Compatibility:

Model DM10-1001-X Made for

iPhone 4S, iPhone 3GS, iPod touch (4th generation), iPod touch (3rd generation), iPad (3rd generation), iPad 2, iPad

Model DM10-1002-X Made for

iPhone 5, iPod touch (5th generation), iPad mini, iPad (4th generation)

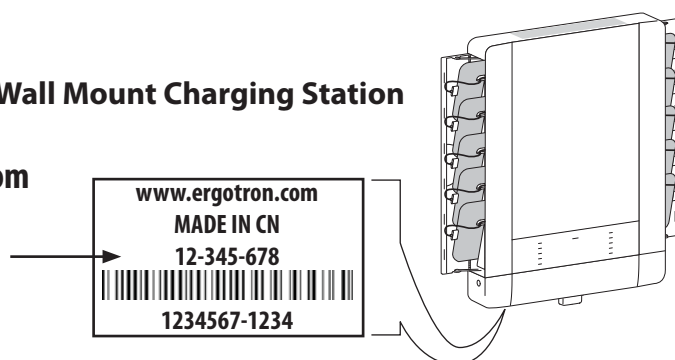
# Service and Warranty

For Service on the Ergotron Tablet Management Wall Mount Charging Station  
for iPad

Visit [www.ergotron.com](http://www.ergotron.com)



**NOTE:** When contacting customer service, reference the serial number.



[www.ergotron.com](http://www.ergotron.com)

MADE IN CN

12-345-678



1234567-1234



© 2013 Ergotron, Inc.  
All rights reserved.

While Ergotron, Inc. makes every effort to provide accurate and complete information on the installation and use of its products, it will not be held liable for any editorial errors or omissions (including those made in the process of translation from English to another language), or for incidental, special or consequential damages of any nature resulting from furnishing this instruction and performance of equipment in connection with this instruction. Ergotron, Inc. reserves the right to make changes in the product design and/or product documentation without notification to its users. For the most current product information, or to know if this document is available in languages other than those herein, please contact Ergotron. No part of this publication may be reproduced, stored in a retrieval system, or transmitted in any form or by any means, electronic, mechanical, photocopying, recording or otherwise without the prior written consent of Ergotron, Inc., 1181 Trapp Road, Eagan, Minnesota, 55121, USA. Patents Pending and Patented U.S. & Foreign. Ergotron is a registered trademark of Ergotron, Inc.

## Americas Sales and Corporate Headquarters EMEA Sales

St. Paul, MN USA  
(800) 888-8458  
+1-651-681-7600  
[www.ergotron.com](http://www.ergotron.com)  
[sales@ergotron.com](mailto:sales@ergotron.com)

Amersfoort, The Netherlands  
+31 33 45 45 600  
[www.ergotron.com](http://www.ergotron.com)  
[info.eu@ergotron.com](mailto:info.eu@ergotron.com)

## APAC Sales

Tokyo, Japan  
[www.ergotron.com](http://www.ergotron.com)  
[apacustomerservice@ergotron.com](mailto:apacustomerservice@ergotron.com)

## Worldwide OEM Sales

[www.ergotron.com](http://www.ergotron.com)  
[info.oem@ergotron.com](mailto:info.oem@ergotron.com)