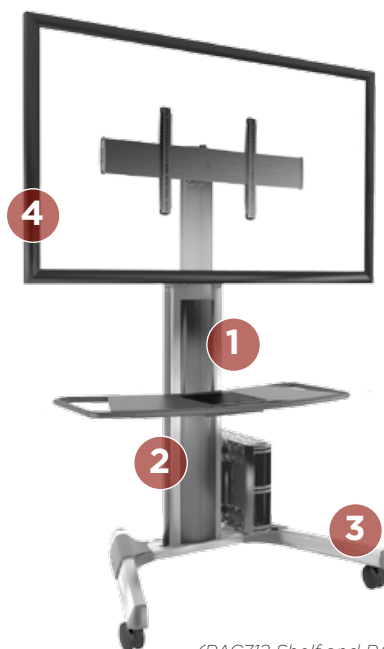




### FEATURES

- 1 SINGLE PERSON HEIGHT ADJUSTMENT**  
Simply turn a knob to smoothly raise and lower the screen between 50-70" (127-177 mm).
- 2 CABLE MANAGEMENT**  
Flexible cable covers allow access to lay in cables at any point along the column.
- 3 SMOOTH POSITIONING**  
Large rolling casters allow for smooth positioning. Locking casters included to help secure installation.
- 4 SLEEK AESTHETICS**  
Blends in well in corporate and classroom environments.



(PAC712 Shelf and PAC256 CPU Holder not included.)

### SPECIFICATIONS

Base Dimensions (WxD)	47.8 x 32" (121.2 x 81.3 cm)
Max Height (Center of Screen)	70.03" (177.9 cm)
Tilt	±5°
Weight Capacity	200 lbs (90.7 kg)
Colors	Black, Silver

### WHAT YOU NEED TO KNOW

#### APPLICATION RECOMMENDATIONS

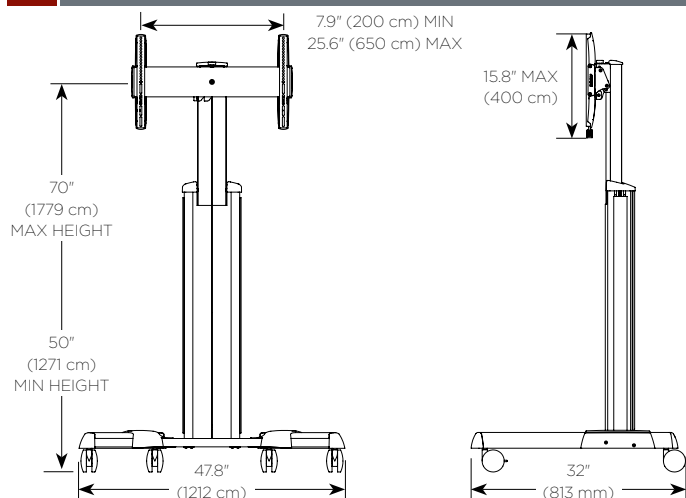
Ideal for video conferencing, digital signage and education environments.

#### OTHER PRODUCT OPTION



**LFAU**  
Micro-Adjustable Floor Stand

### TECHNICAL DRAWINGS



### RECOMMENDED ACCESSORIES



**PAC712** Large Accessory Shelf



**PAC256** Large CPU Holder

For a complete list of cart & stand accessories see pages **93 - 94**.