
INSTALLATION INSTRUCTIONS

Plasma Presenters Dual Display Video Conferencing Cart (PPD-Series)

The PPD is a highly functional video conferencing solution. The cart provides agile mobility for two Large Flat Panel Displays, side-by-side, with a combined weight of up to 200 pounds. Optional equipment shelves and video conferencing accessory shelves can be easily added for a complete system.

Using Chief's exclusive ClickConnect™ Mounting System for easy installation, the cart provides stable mounting, quick release and optional security. Additionally, its streamline shape eliminates trip hazards and allows the display to roll smoothly up to a conference table.

Large swivel casters with lock brakes, pitch adjustment, and cable management make the cart user friendly.



BEFORE YOU BEGIN

- **CAUTION:** To prevent damage to the cart, which could affect or void the Factory warranty, thoroughly study all instructions and illustrations before you begin to install or operate the unit. Pay particular attention to the “Important Warnings and Cautions” on Page 2.
- The maximum weight to be installed on the PPD is 200 pounds (90.72 Kg).
- If you have any questions about this assembly, contact Chief Manufacturing at 1-800-582-6480 or 952-894-6280.

Chief® and ClickConnect™ are trademarks of Milestone AV Technologies. All rights reserved.



IMPORTANT WARNINGS and CAUTIONS!

WARNING: A **WARNING** alerts you to the possibility of serious injury or death if you do not follow the instructions.

CAUTION: A **CAUTION** alerts you to the possibility of damage or destruction of equipment if you do not follow the corresponding instructions.

- **WARNING:** Do not attempt to hang the plasma displays onto the cart alone. Always use two people to mount each display.
- **WARNING:** Always park the cart on a level surface. The locking wheels of the cart are not designed to hold the cart on an inclined surface.
- **WARNING:** Do not use the cart to transport your plasma displays on ramps or steep angles. The cart is designed to move on smooth, flat surfaces.
- **CAUTION:** Inspect the unit for shipping damage.
- **CAUTION:** Do not use cleanser or harsh cleaning agents on acrylic shelves.

CONTENTS

INSPECT PARTS BEFORE ASSEMBLY	3
OPTIONAL ACCESSORIES	3
TOOLS REQUIRED FOR INSTALLATION	3
PARTS	4
ASSEMBLE CART	6
MOUNT PLASMA DISPLAYS ON CART	8

INSPECT PARTS BEFORE ASSEMBLY

- Refer to Table 1 on page 4 and “PARTS” on page 4. Carefully inspect the parts for shipping damage.
- If any damage is apparent, call your carrier claims agent and do not continue with the assembly procedure until the carrier has reviewed the damage.

OPTIONAL ACCESSORIES

- Acrylic Shelf.
- Video Conferencing Shelf

TOOLS REQUIRED FOR INSTALLATION

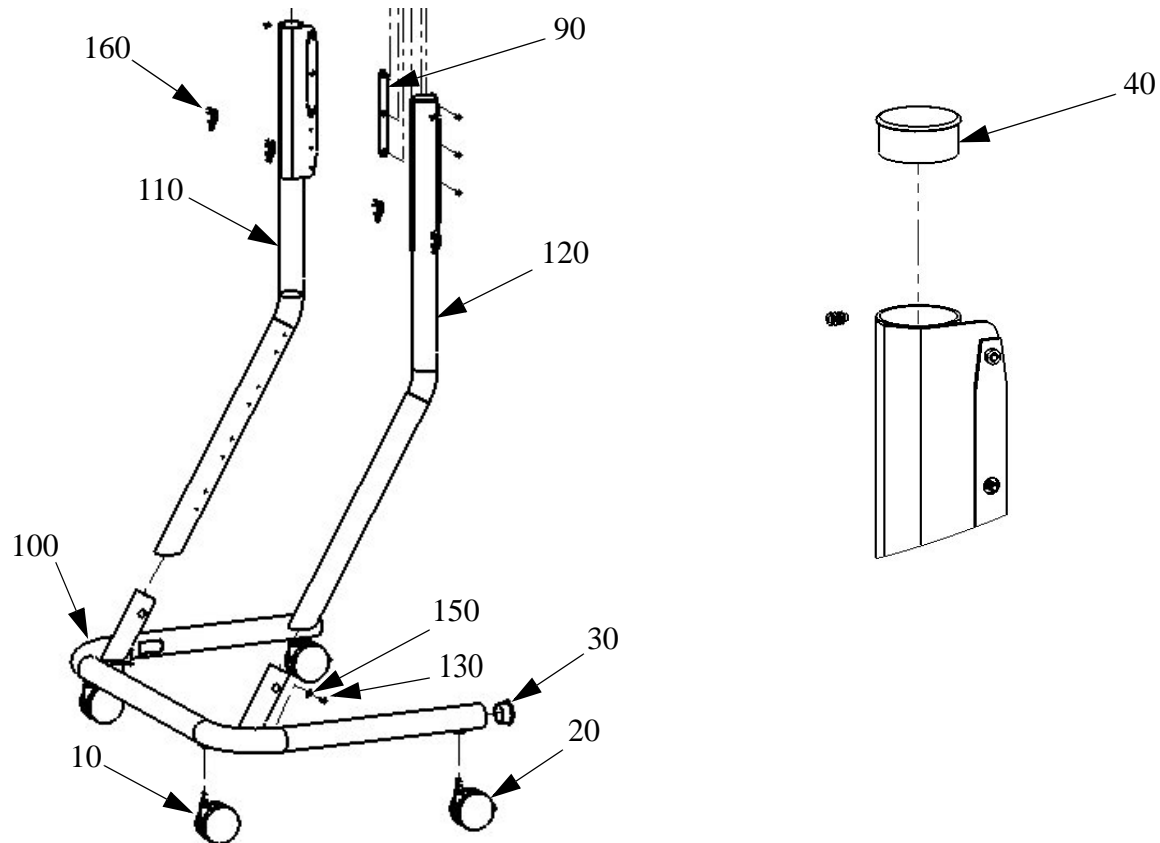
- 7/16” and 3/4” wrench
- Allen wrenches
- Socket set with extension

NOTE: Other tools may be required depending on the method of installation.

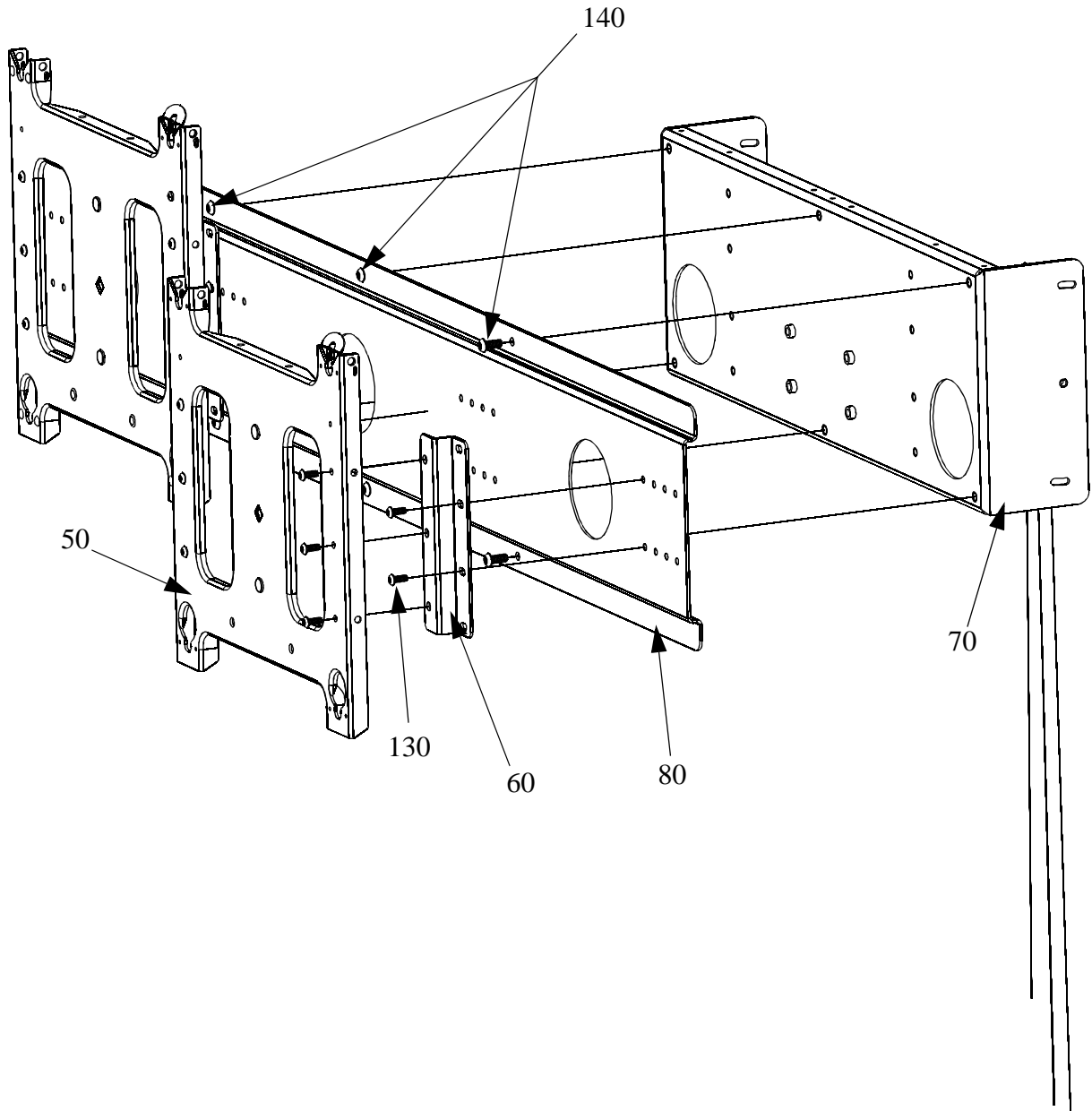
PARTS

Table 1: Parts List

REF	DESCRIPTION	QTY	REF	DESCRIPTION	QTY
10	CASTERS, Front (No Locks)	2	120	LEG, Right	1
20	CASTERS, Rear (Locking)	2	130	SCREW, Cap, Button head, 1/4 20 x 5/8"	28
30	PLUG, Cap (hard plastic - use with base)	2	140	SCREW, Cap, Button head, 5/16-18 x 3/4"	6
40	PLUG, Cap (slip on vinyl - use with legs)	2	150	WASHER, 1/4"	2
50	PLATE, Face	2	160	WRENCH, Allen, 3/16" (Not Shown)	1
60	FACEPLATE, Sides	4			
70	HEAD, Mounting (PPC Tilt Head)	1			
80	BRACKET, Dual Screen Mounting	1			
90	SPREADER, Head tilt (viewed from inside)	2			
100	BASE, With corner supports	1			
110	LEG, Left	1			



PARTS (CONT'D)



ASSEMBLE CART

NOTE: Read all instructions before assembly. Also, refer to Table 1 on page 4 and "PARTS" on page 4 for the numbers shown in parenthesis ().

1. Place base (100) upside down (see Figure 1).
 - a. Thread two regular casters (10) into the holes near the corner support posts in the base (front) as shown in Figure 1.
 - b. Thread two locking casters (20) into the holes at the end of the support posts for the base (front) as shown in Figure 1.
2. Place base (100) upright on casters.
3. Install legs for base (100) as follows:
 - a. Insert left leg (110) and right leg (120) into the support posts on the base. Make sure the mounting tabs face inward (see Figure 2).
 - b. Secure both legs using two washers (150) and two 1/4 x 1/2" screws (130).
 - c. Install cap plugs (30) in base (see Figure 3).
 - d. Install cap plugs (40) on top of left leg (110) and right leg (120). See Figure 4.
4. Using two 1/4-20 x 5/8" button head screws (130), one on each side, secure the mounting head (70) to the top of the legs (110 and 120) of the cart (see Figure 4).
5. Using four 1/4-20 x 5/8" button head screws (130), (two on each side), secure two tilt head spreaders (90), one per side (see Figure 4).

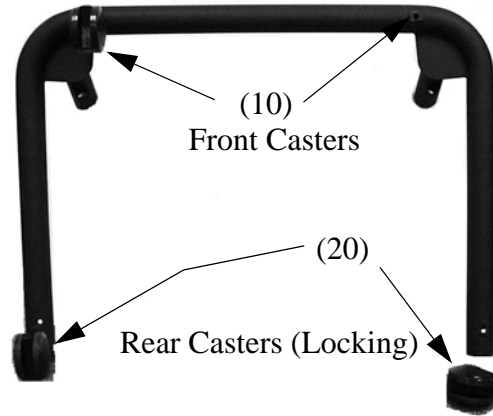


Figure 1. Install Casters

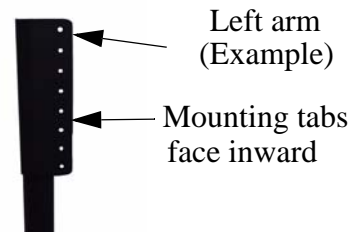


Figure 2. Turn Mounting Tabs Inward

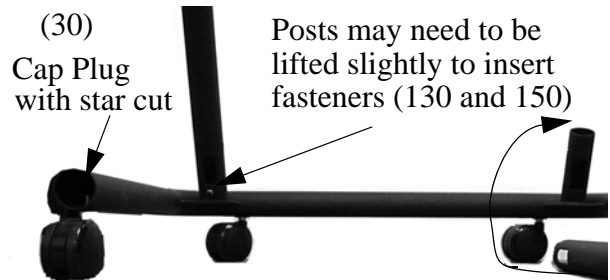


Figure 3. Install Legs

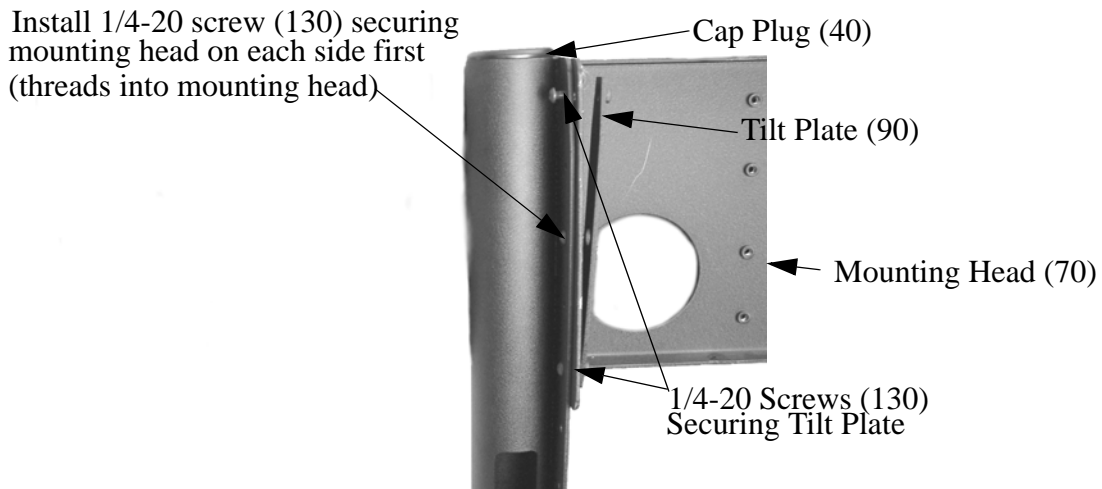


Figure 4. Install Mounting Head

ASSEMBLE CART (CONT'D)

- Adjust tilt head (70) to desired tilt by slightly loosening four 1/4-20x5/8" button head cap screws (130) securing tilt head spreaders (90), adjust tilt head to desired angle (0° to 7-1/2°), and tighten four 1/4-20x5/8" button head cap screws (130). See Figure 5).

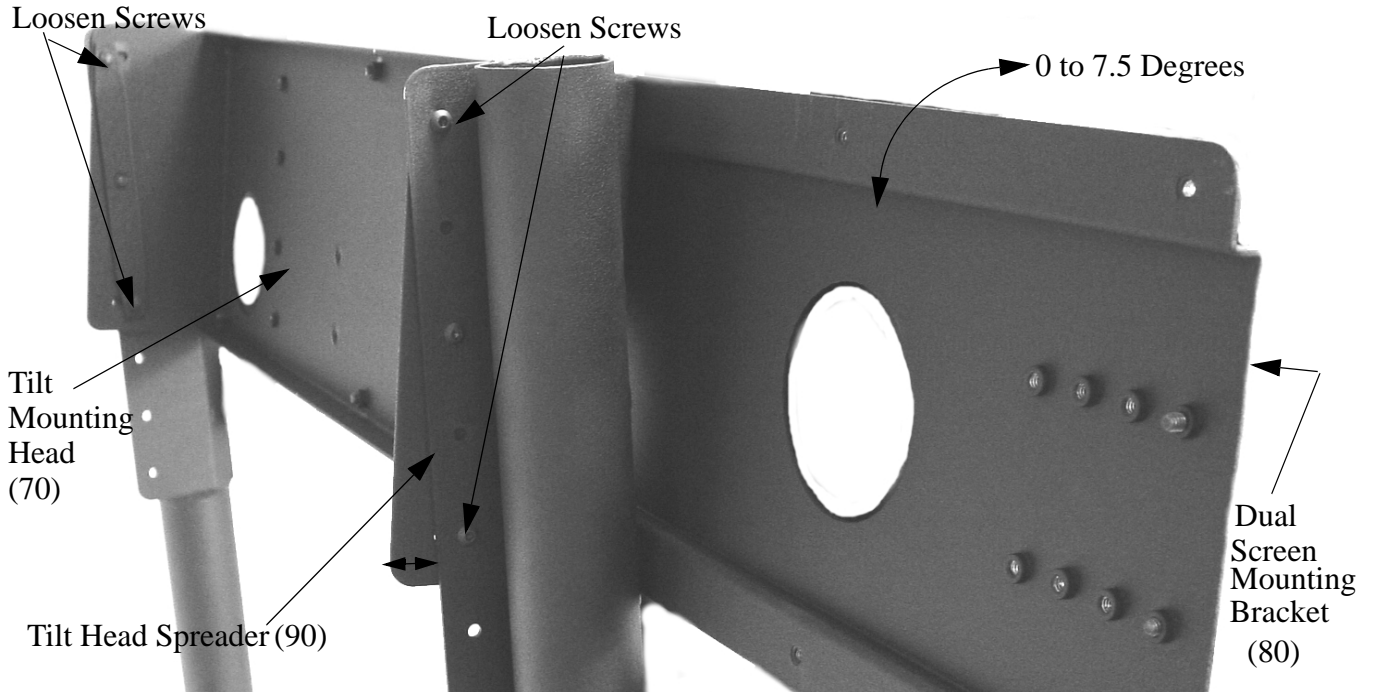


Figure 5. Adjust Tilt Mounting Head

- Using six 5/16-18X3/4" screws (140), secure the dual screen mounting bracket (80) to the tilt mounting head (70) (see Figure 6).

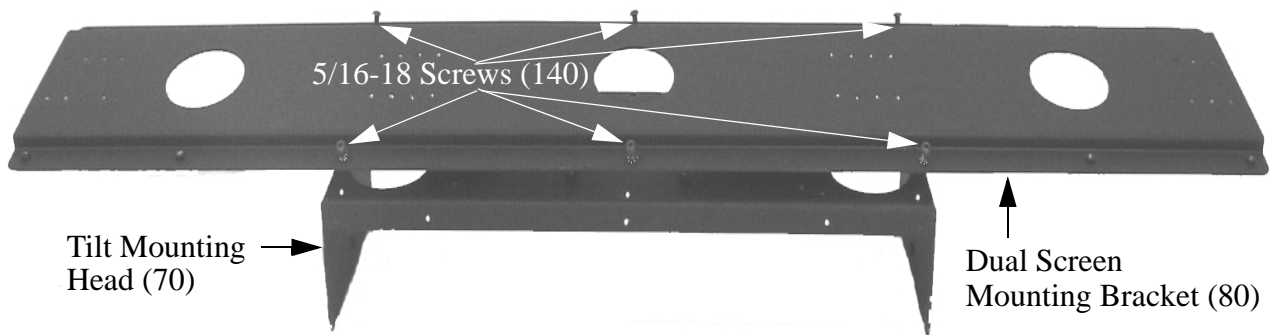


Figure 6. Attach Dual Screen Mounting Bracket to Mounting Head

MOUNT PLASMA DISPLAYS ON CART

1. Measure the distance from the center of your display to its outermost edge.

NOTE: Make sure to leave some space between displays when mounted.

2. Using the measurement found in Step 1 and the faceplate (50) as a template, measure from the center of the dual screen mounting bracket (80) to find the correct mounting holes for your application (see Figure 7).
3. Secure each face plate (50) using four 1/4-20x5/8" screws (130) (see Figure 8).

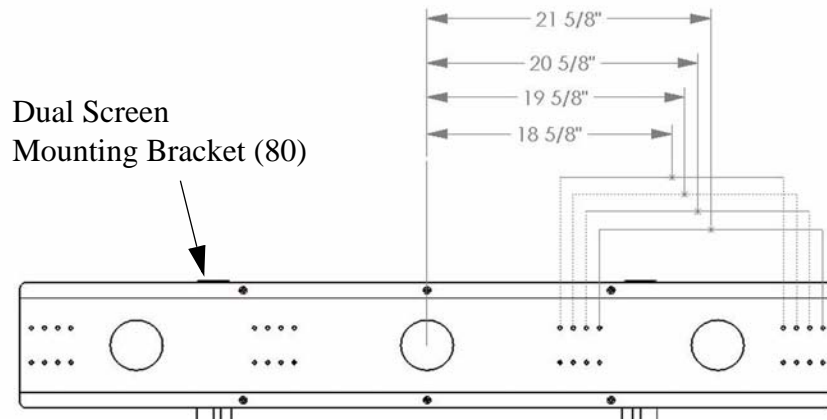


Figure 7. Dual Screen Mounting Bracket Head Measurements

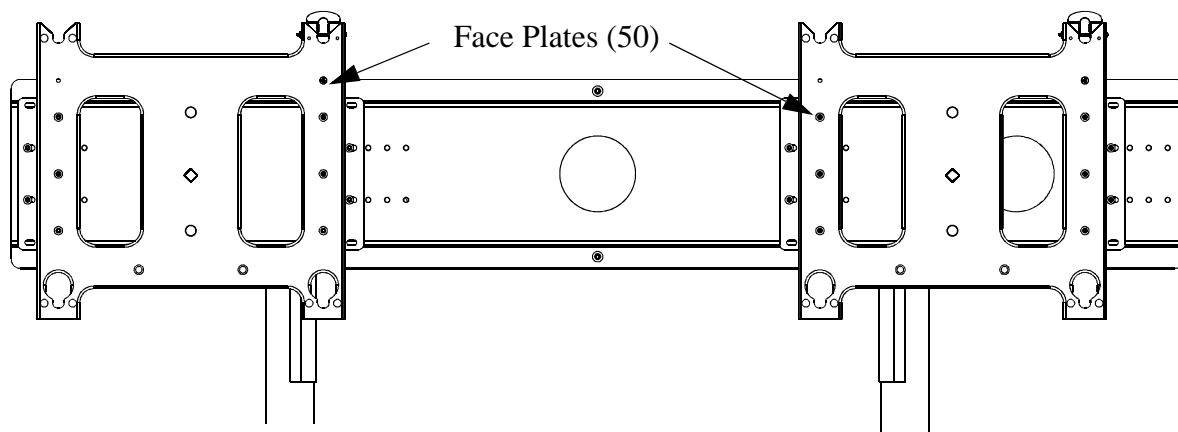


Figure 8. Dual Mounting Head with Face Plates Attached

MOUNT PLASMA DISPLAYS ON CART (CONT'D) To install display:

WARNING! Make sure cart wheels are locked before installing the display to the cart!

4. While supporting both sides of display, align four mounting buttons on display or interface bracket with four mounting holes in faceplate.
(See Figure 9)

5. Lower display into place listening for audible "click" to ensure recessed area of mounting buttons are properly seated in lower area of mounting holes and ClickConnect mechanism has engaged.
(See Figure 9) and (See Figure 10)

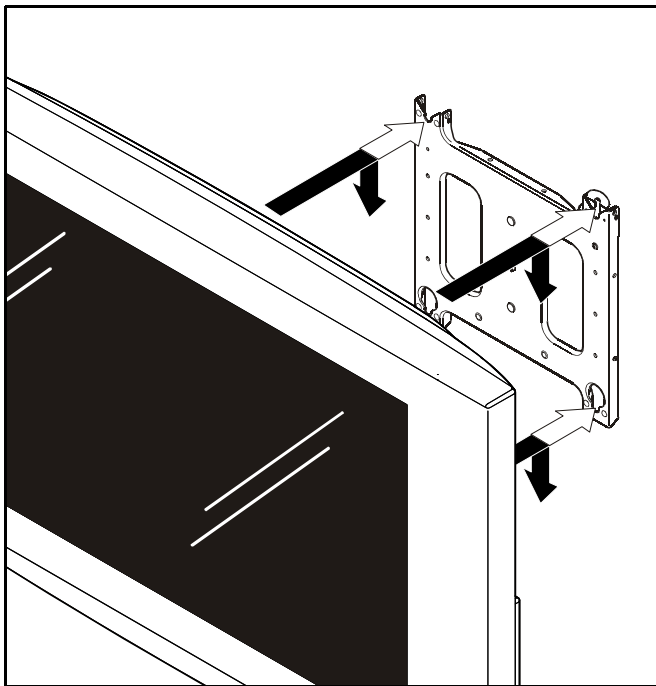


Figure 9 : Hang Display

NOTE: Holes are provided in the faceplate for use with a padlock or similar locking device, if desired. In addition, the pin and nut may be removed from the upper holes and moved to the lower holes for use as a more permanent locking device. (See Figure 10)

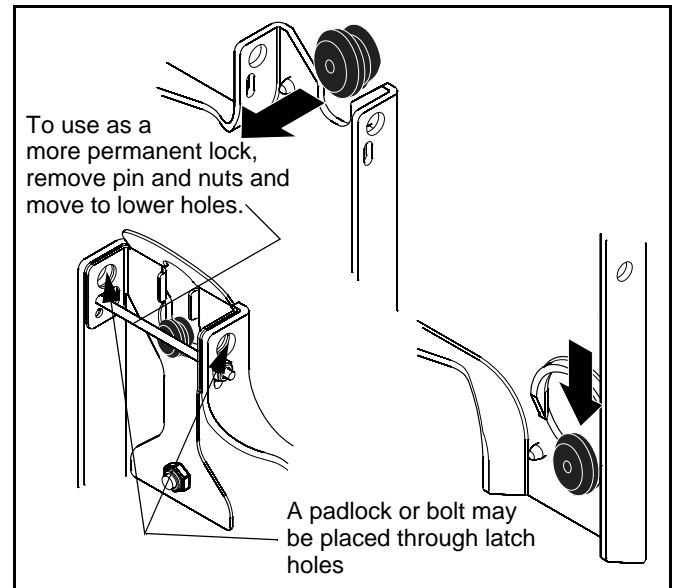


Figure 10: Secure Display

