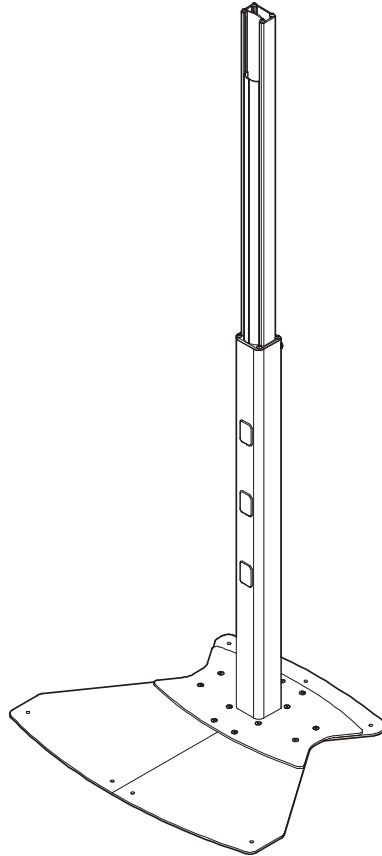

INSTALLATION INSTRUCTIONS



Fixed Base Music Stand

DISCLAIMER

Milestone AV Technologies, and its affiliated corporations and subsidiaries (collectively, "Milestone"), intend to make this manual accurate and complete. However, Milestone makes no claim that the information contained herein covers all details, conditions or variations, nor does it provide for every possible contingency in connection with the installation or use of this product. The information contained in this document is subject to change without notice or obligation of any kind. Milestone makes no representation of warranty, expressed or implied, regarding the information contained herein. Milestone assumes no responsibility for accuracy, completeness or sufficiency of the information contained in this document.

Chief® and ClickConnect™ are registered trademarks of Milestone AV Technologies. All rights reserved.

! IMPORTANT WARNINGS AND CAUTIONS!

! WARNING: A WARNING alerts you to the possibility of serious injury or death if you do not follow the instructions.

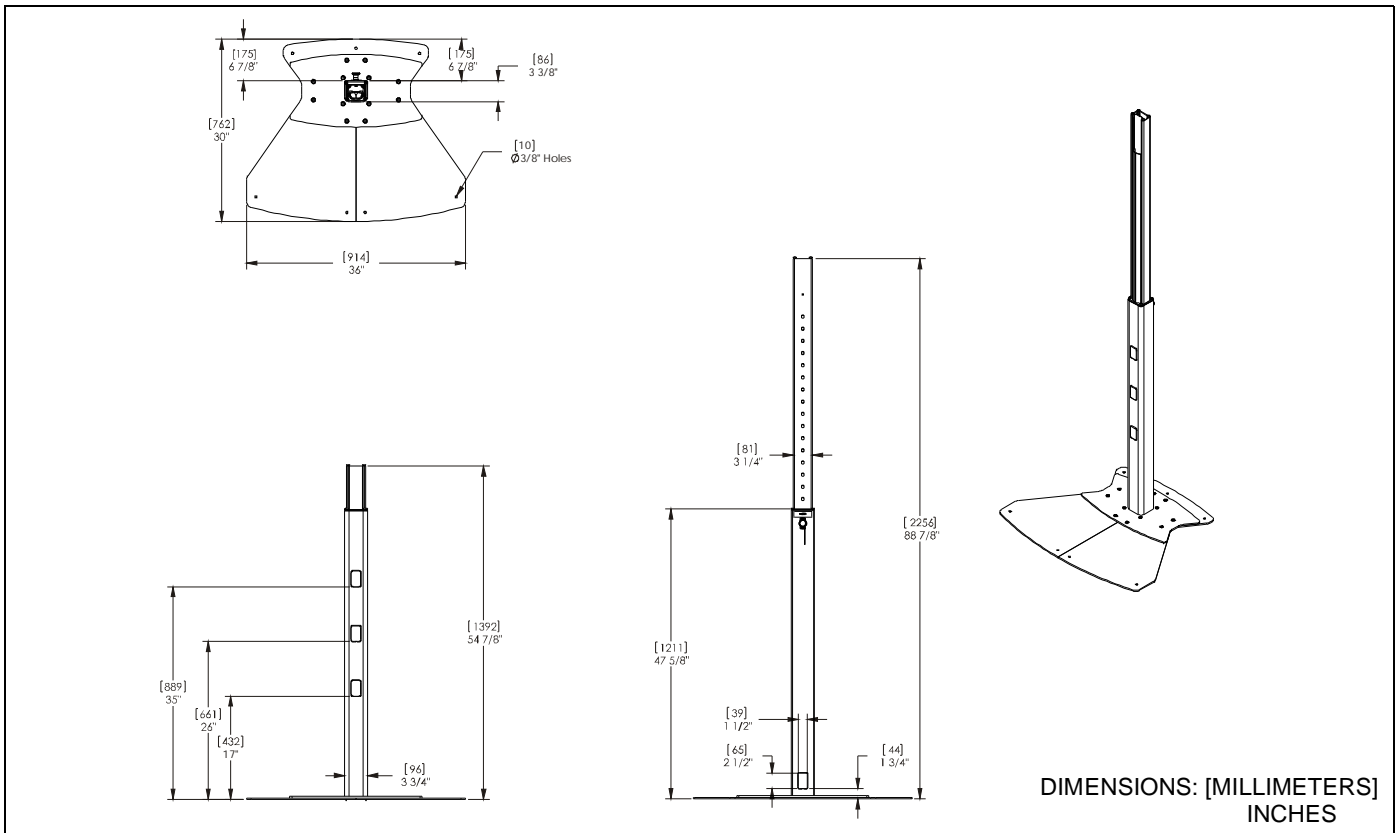
! CAUTION: A CAUTION alerts you to the possibility of damage or destruction of equipment if you do not follow the corresponding instructions.

! WARNING: Failure to read, thoroughly understand, and follow all instructions can result in serious personal injury, damage to equipment, or voiding of factory warranty! It is the installer's responsibility to make sure all components are properly assembled and installed using the instructions provided.

! WARNING: Failure to provide adequate structural strength for this component can result in serious personal injury or damage to equipment! It is the installer's responsibility to make sure the structure to which this component is attached can support five times the combined weight of all equipment. Reinforce the structure as required before installing the component.

! WARNING: Exceeding the weight capacity can result in serious personal injury or damage to equipment! It is the installer's responsibility to make sure the combined weight of all components and accessories does not exceed 150 lbs (68.04 kg).

DIMENSIONS



LEGEND

	Tighten Fastener
	Apretar elemento de fijación
	Befestigungsteil festziehen
	Apertar fixador
	Serrare il fissaggio
	Bevestiging vastdraaien
Serrez les fixations	

	Pencil Mark
	Marcar con lápiz
	Stiftmarkierung
	Marcar com lápis
	Segno a matita
	Potloodmerkteken
Marquage au crayon	

	Loosen Fastener
	Aflojar elemento de fijación
	Befestigungsteil lösen
	Desapertar fixador
	Allentare il fissaggio
	Bevestiging losdraaien
Desserrez les fixations	

	Drill Hole
	Perforar
	Bohrloch
	Fazer furo
	Praticare un foro
	Gat boren
Percez un trou	

	Phillips Screwdriver
	Destornillador Phillips
	Kreuzschlitzschraubendreher
	Chave de fendas Phillips
	Cacciavite a stella
	Kruiskopschroevendraaier
Tournevis à pointe cruciforme	

	Adjust
	Ajustar
	Einstellen
	Ajustar
	Regolare
	Afstellen
Ajuster	

	Open-Ended Wrench
	Llave de boca
	Gabelschlüssel
	Chave de bocas
	Chiave a punte aperte
	Steeksleutel
Clé à fourche	

	Remove
	Quitar
	Entfernen
	Remover
	Rimuovere
	Verwijderen
Retirez	

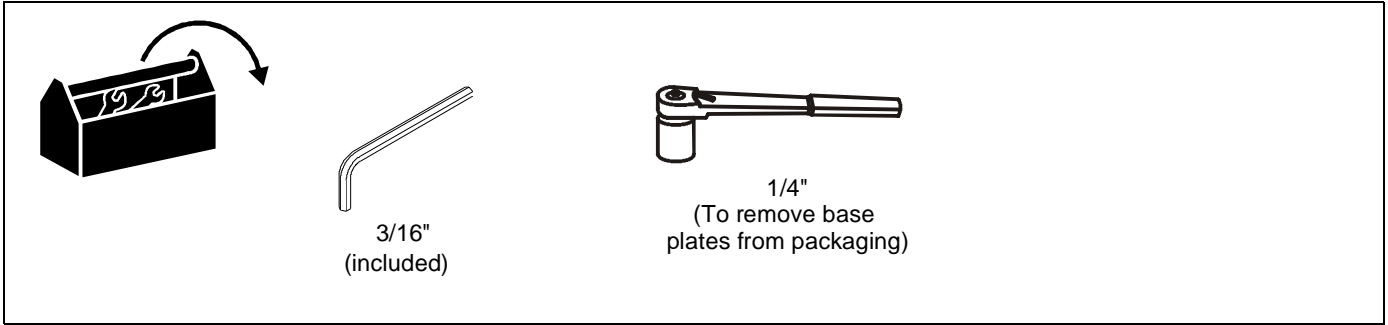
	By Hand
	A mano
	Von Hand
	Com a mão
	A mano
	Met de hand
À la main	

	Optional
	Opcional
	Optional
	Opcional
	Opzionale
	Optie
En option	

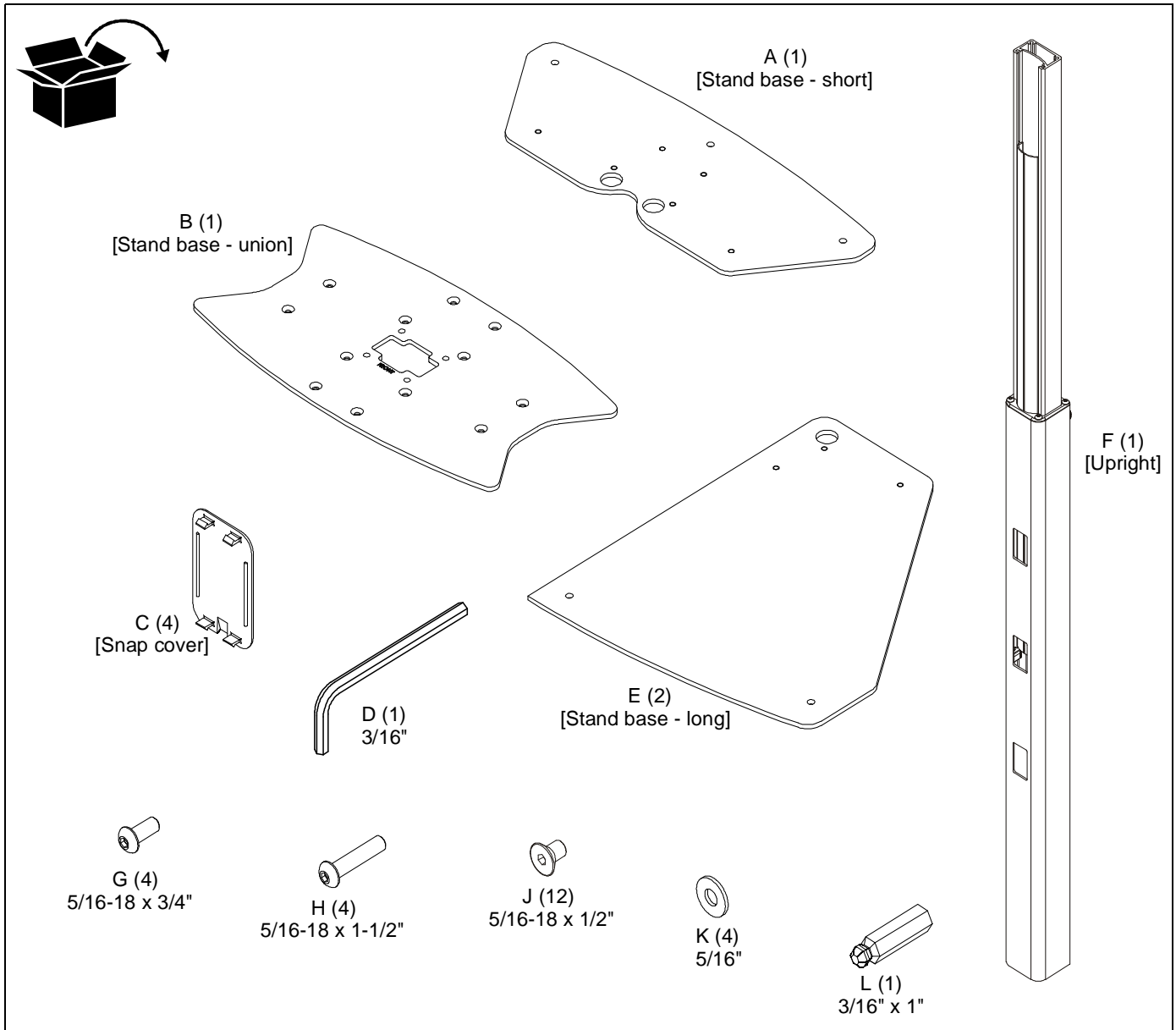
	Hex-Head Wrench
	Llave de cabeza hexagonal
	Sechskantschlüssel
	Chave de cabeça sextavada
	Chiave esagonale
	Zeskantsleutel
Clé à tête hexagonale	

	Security Wrench
	Llave de seguridad
	Sicherheitsschlüssel
	Chave de segurança
	Chiave di sicurezza
	Veiligheidsleutel
Clé de sécurité	

TOOLS REQUIRED FOR INSTALLATION



PARTS



ASSEMBLY

Assembling Base to Upright



CAUTION: INNER COLUMN IS SHIPPED DISENGAGED and may pinch hands! Hold both inner column and outer upright while removing from box.

IMPORTANT ! : Press cable tie tab to loosen and remove cable tie from around knob post. (See Figure 1)

NOTE: Disengage knob on upright BEFORE attaching base to upright.

1. Lift up slightly on the inner column of upright (F) and hold firmly toward top of upright. (See Figure 1)
2. Pull out knob on the upright and turn 90° in either direction to disengage the locking mechanism. (See Figure 1)
3. Raise the inner column and turn the knob 90° in either direction to engage the knob and lock the column in place. (See Figure 1)

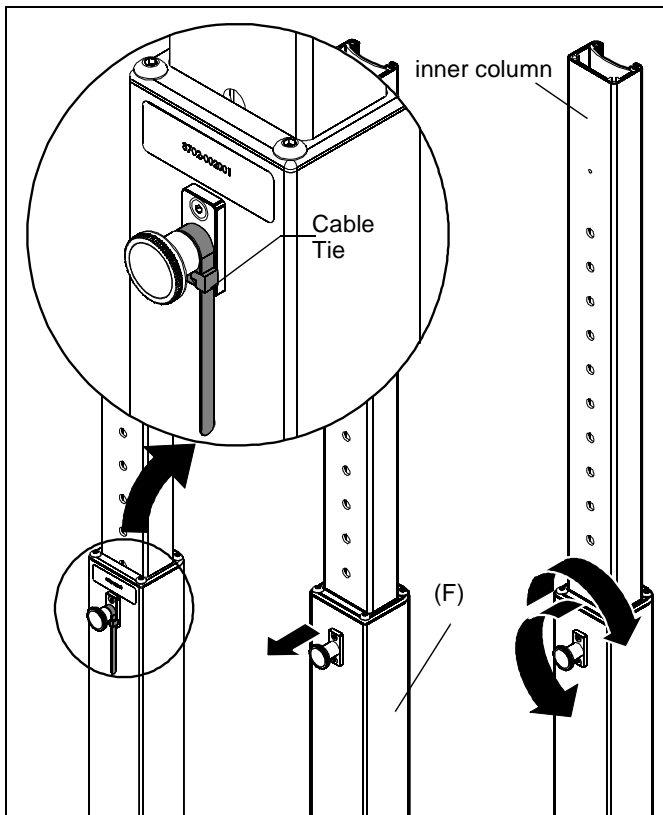


Figure 1



CAUTION: Attachment holes may be damaged if a power drill is used to insert button head cap screws. Screws should first be inserted and turned BY HAND with the hex key (D) or with a handheld screwdriver BEFORE using the hex head drill bit (L) and power drill to complete the attachment.

4. Attach stand base - union section (B) to the upright (F) using four 5/16-18 x 1-1/2" button head cap screws (H) and four 5/16" flat washers (K). (See Figure 2)

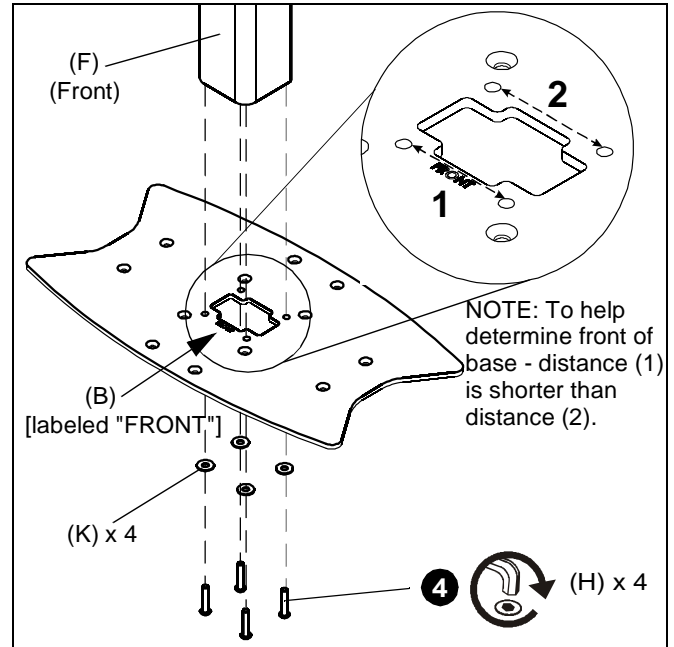


Figure 2

NOTE: Ensure that upright (F) front is placed to the front of base section (B). Check for "FRONT" on base section (B). (See Figure 2)

NOTE: Insert and tighten screws in order shown (1, 2, 3, 4). (See Figure 3)

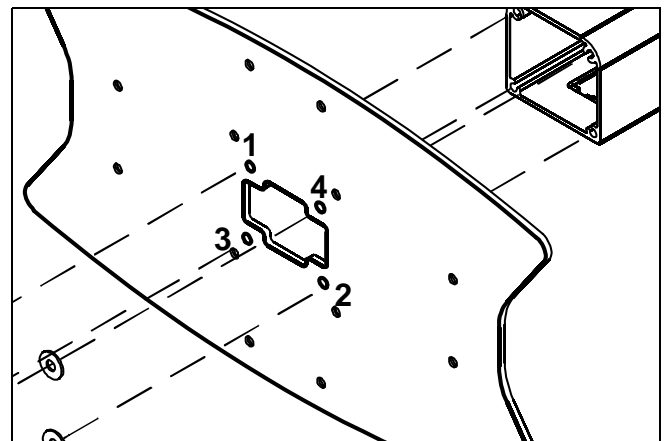


Figure 3

5. Gather stand base pieces A and E (two) and push them together until the edges meet. (See Figure 4)

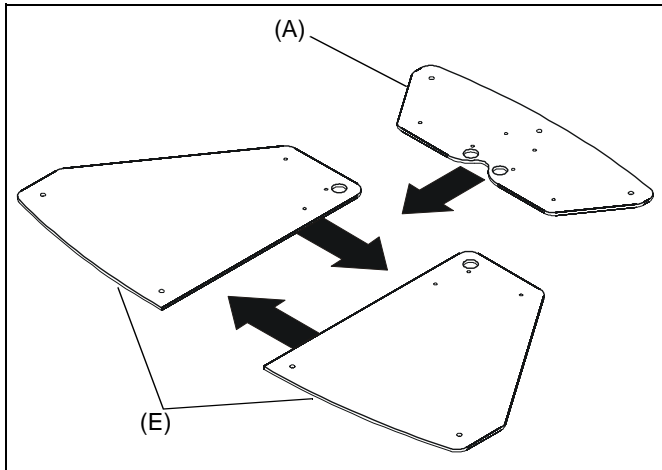


Figure 4

6. Place union base piece (B) with upright (F) on top of the three base pieces with the upright front facing base - long pieces (E). (See Figure 5)
7. Fasten lower base pieces (A and E) to union base section and upright assembly using twelve 5/16-18 x 1/2" flat head cap screws (J). (See Figure 5)

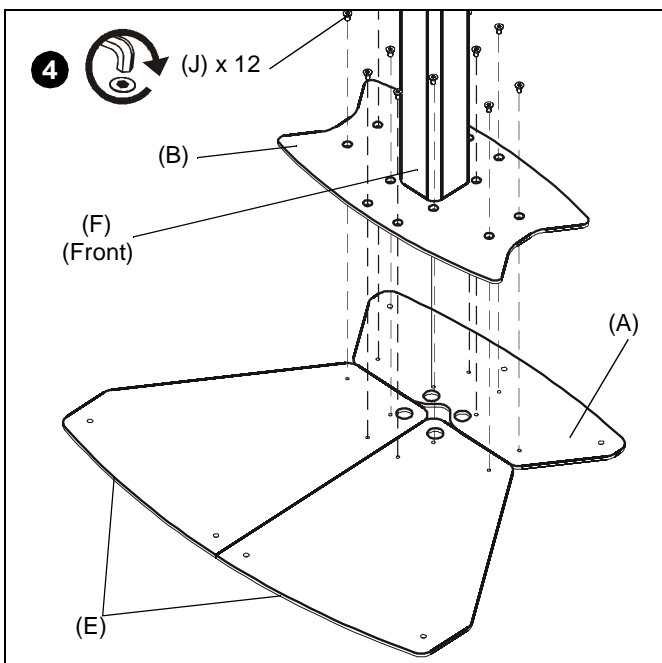


Figure 5

Attaching Accessories to Stand

WARNING: EXCEEDING MAXIMUM WEIGHT CAPACITY MAY LEAD TO SERIOUS PERSONAL INJURY OR DAMAGE TO EQUIPMENT! It is the installer's responsibility to ensure the total amount of weight placed on the stand does not exceed 150 lbs (68.04 kg).

CAUTION: Before attaching accessories and components to the stand, ensure the stand is on level surface.

CAUTION: ALWAYS remove component(s) BEFORE adjusting the height of the stand.

1. Attach accessory and component(s) to stand following instructions included with the accessory.

Adjusting Stand Height

CAUTION: ALWAYS remove components attached to accessories BEFORE adjusting the height of stand.

1. Firmly grasp **top** of inner column. (See Figure 6)

IMPORTANT ! : Firmly grasp at the **top** of the inner column when adjusting stand height. (See Figure 6)

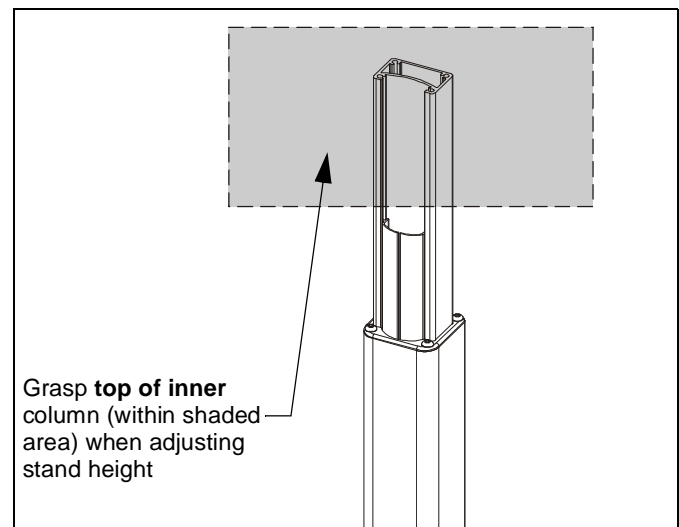


Figure 6

2. Adjust the stand to the desired height by slightly lifting the accessory, pulling out knob on the upright and turning 90° in either direction to disengage the locking mechanism. (See Figure 7)
3. Raise or lower the inner column, then turn the knob 90° either direction to engage the knob and lock the stand at desired height. (See Figure 7)

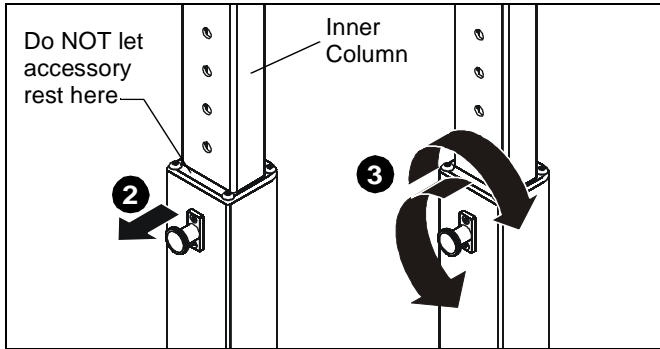


Figure 7

IMPORTANT ! : Set the height of the stand so the accessories do NOT rest on the upper part of the outer column. (See Figure 7) Always set the height so the knob is engaged in a hole in the inner column.

Cable Management

1. Signal cables can be run down the front flap of the inner column and out the front of the outer column at any of the openings. (See Figure)
2. Power cord(s) can be run through the top and down through the column to exit out the back. (See Figure)
3. Any accessory power cords can be run through the front and down through the column to exit out the back. (See Figure)
4. Install the snap-on covers (C) to any opening that is not being used. (See Figure)
5. To remove the snap-on covers, grip the sides of the cover in the middle and pull off. They can also be removed by inserting a flat-blade screwdriver into the bottom slot and prying them off.

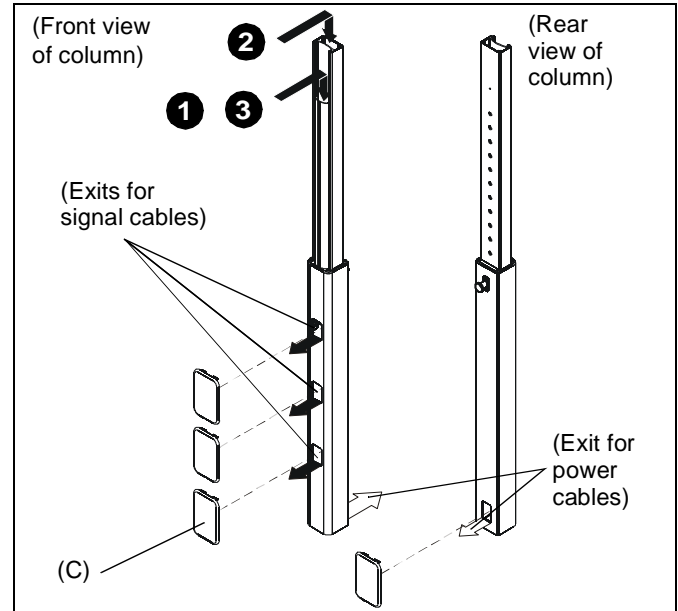


Figure 8

Attaching Stand to Floor

The floor stand may be attached to the floor for a more permanent installation.

1. Attach the floor stand to the floor using 5/16" or 3/8" fasteners (not provided) which are appropriate for the floor's construction. (See Figure 9)

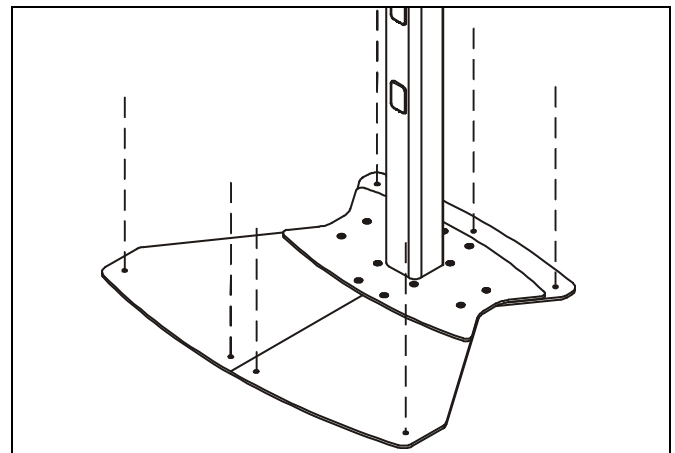


Figure 9

Using the Stand



CAUTION: This stand is intended for use only with the products and maximum weight indicated: 150 lbs (68.04 kg). Use with other products or products heavier than the maximum weight indicated may result in instability causing possible injury.



WARNING: STAND CAN TIP OVER RESULTING IN RISK OF INJURY. Never move the stand when accessories/ components are attached. Never push against the stand.



Chief Manufacturing, a products division
of Milestone AV Technologies

8809-002004 Rev00

©2011 Milestone AV Technologies, a
Duchossois Group Company

www.chiefmfg.com

01/11

USA/International	A 8401 Eagle Creek Parkway, Savage, MN 55378
	P 800.582.6480 / 952.894.6280
	F 877.894.6918 / 952.894.6918
Europe	A Fellenoord 130 5611 ZB EINDHOVEN, The Netherlands
	P +31 (0)40 2668620
	F +31 (0)40 2668615
Asia Pacific	A Office No. 1 on 12/F, Shatin Galleria 18-24 Shan Mei Street Fotan, Shatin, Hong Kong
	P 852 2145 4099
	F 852 2145 4477

