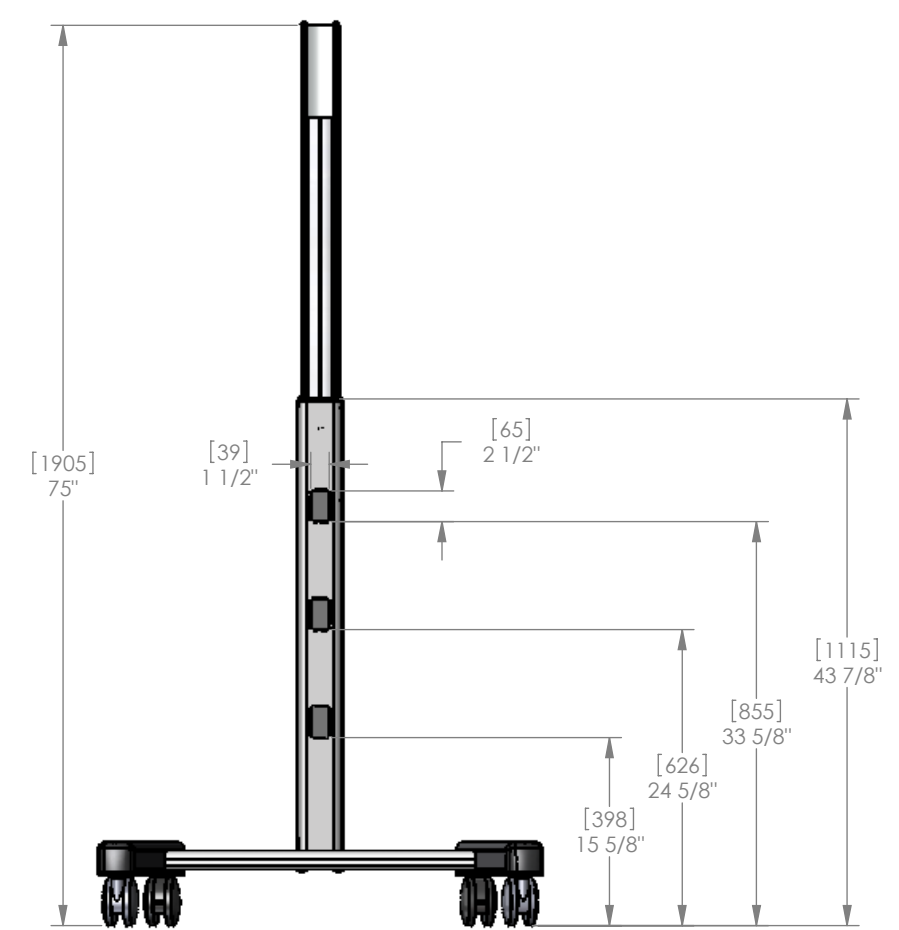
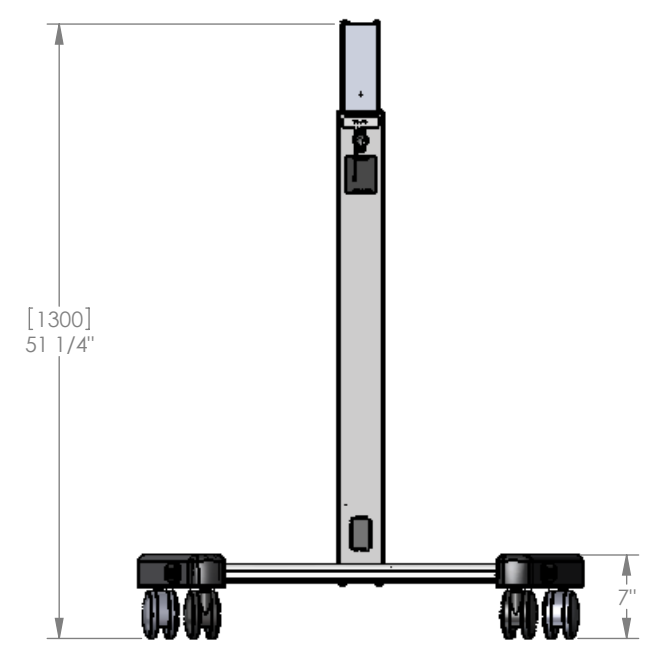
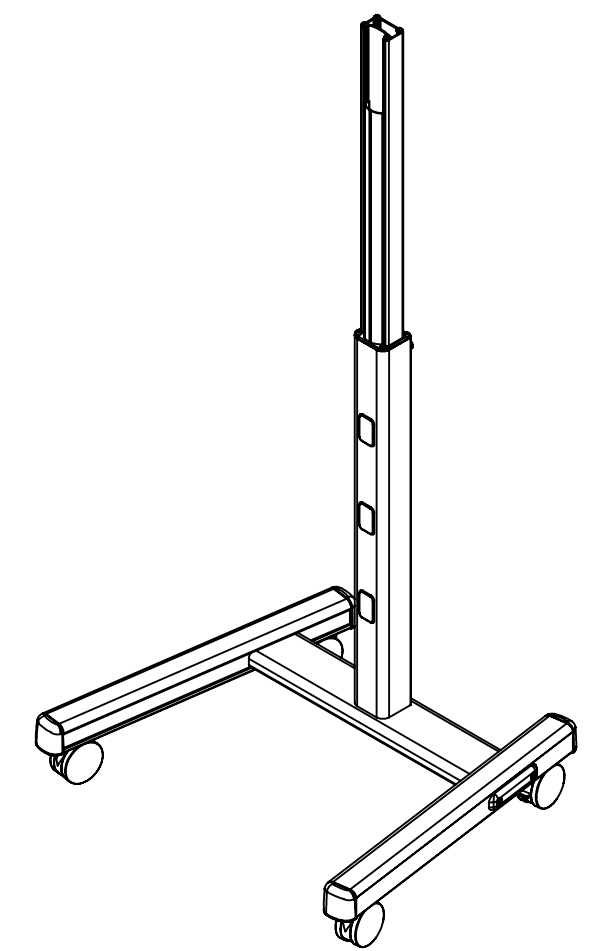
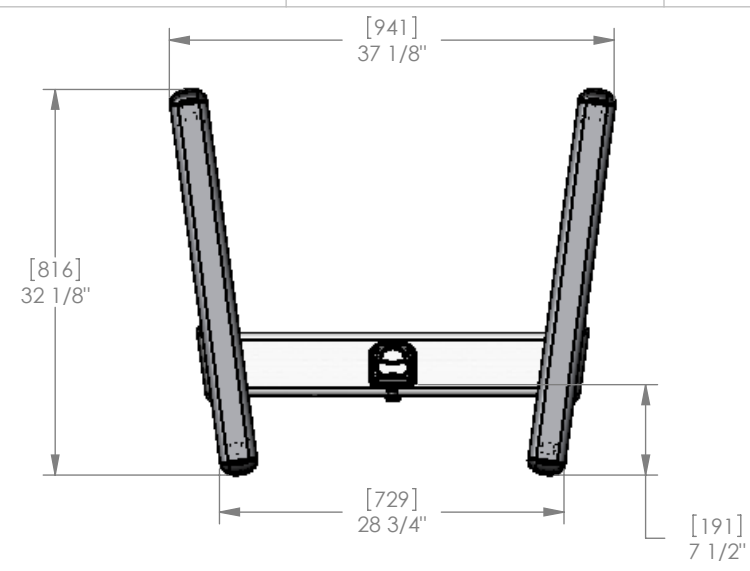


BRACKET ORDER # PFCU



CHIEF MANUFACTURING INC.
MOUNT ORDER NUMBER IS"QMP1MB"
PHONE: 1-800-582-6480
11/24/2010

ALL MEASUREMENTS ARE IN
 THE FOLLOWING FORMAT:
 [MILLIMETERS]
 INCHES

**THE INFORMATION AND DESIGNS CONTAINED
 IN THIS DRAWING ARE CONFIDENTIAL AND THE
 PROPRIETARY PROPERTY OF CHIEF MFG., INC.
 NEITHER THIS DESIGN NOR ANY INFORMATION
 CONTAINED IN THIS DRAWING MAY BE
 REPRODUCED OR DISCLOSED TO OTHERS
 WITHOUT THE EXPRESS WRITTEN CONSENT OF
 CHIEF MFG., INC.**

 CHIEF MANUFACTURING, INC. <small>8401 EAGLE CREEK PKWY * SAVAGE, MN 55378 1.800.582.6480 * fax 1.877.894.6918</small>	
TITLE CUSTOMER PRINT MOBILE BASE MUSIC PRODUCTION STAND	
SIZE B	DWG. NO. QMP1MB