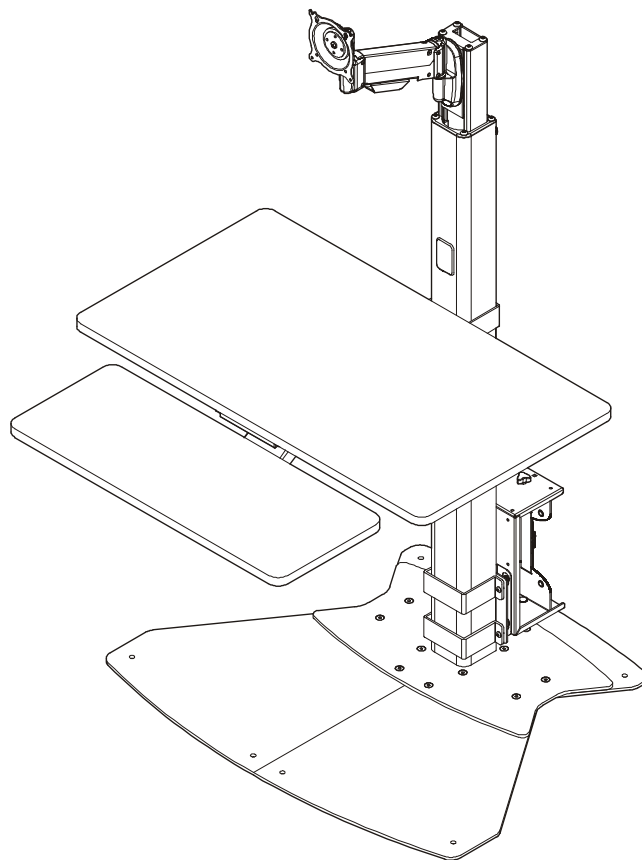

INSTALLATION INSTRUCTIONS



Fixed Base Music Production Stand with Accessories

DISCLAIMER

Milestone AV Technologies and its affiliated corporations and subsidiaries (collectively, "Milestone"), intend to make this manual accurate and complete. However, Milestone makes no claim that the information contained herein covers all details, conditions or variations, nor does it provide for every possible contingency in connection with the installation or use of this product. The information contained in this document is subject to change without notice or obligation of any kind. Milestone makes no representation of warranty, expressed or implied, regarding the information contained herein. Milestone assumes no responsibility for accuracy, completeness or sufficiency of the information contained in this document.

Chief® is a registered trademark of Milestone AV Technologies. All rights reserved.

! IMPORTANT WARNINGS AND CAUTIONS!

! WARNING: A WARNING alerts you to the possibility of serious injury or death if you do not follow the instructions.

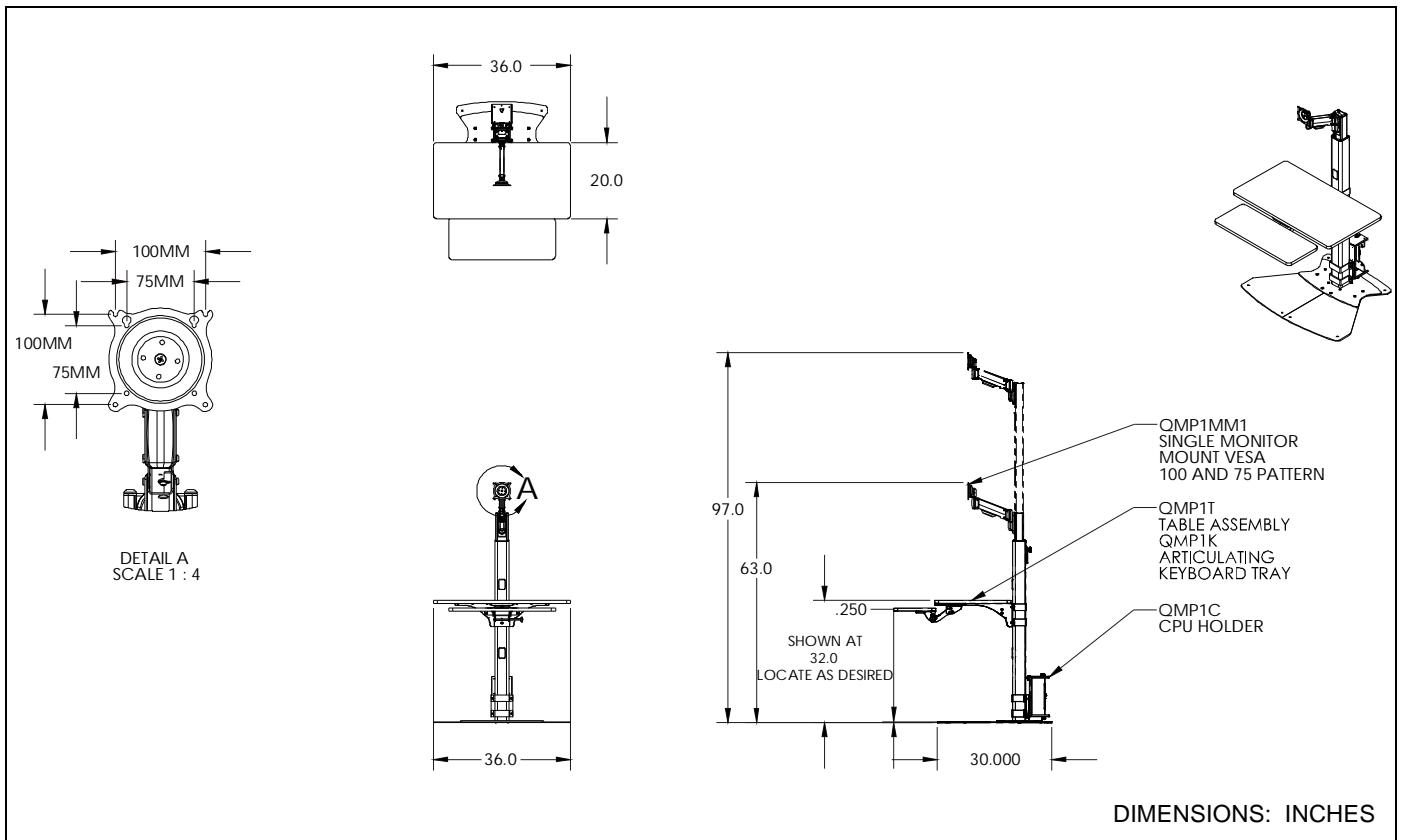
! CAUTION: A CAUTION alerts you to the possibility of damage or destruction of equipment if you do not follow the corresponding instructions.

! WARNING: Failure to read, thoroughly understand, and follow all instructions can result in serious personal injury, damage to equipment, or voiding of factory warranty! It is the installer's responsibility to make sure all components are properly assembled and installed using the instructions provided.

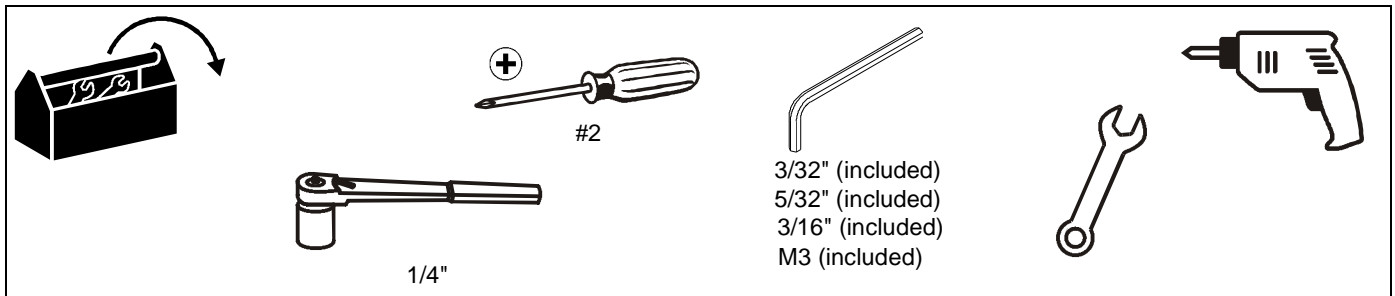
! WARNING: Failure to provide adequate structural strength for this component can result in serious personal injury or damage to equipment! It is the installer's responsibility to make sure the structure to which this component is attached can support five times the combined weight of all equipment. Reinforce the structure as required before installing the component.

! WARNING: Exceeding the weight capacity can result in serious personal injury or damage to equipment! It is the installer's responsibility to make sure the combined weight of all components on the stand does not exceed 200 lbs (90.7 kg).

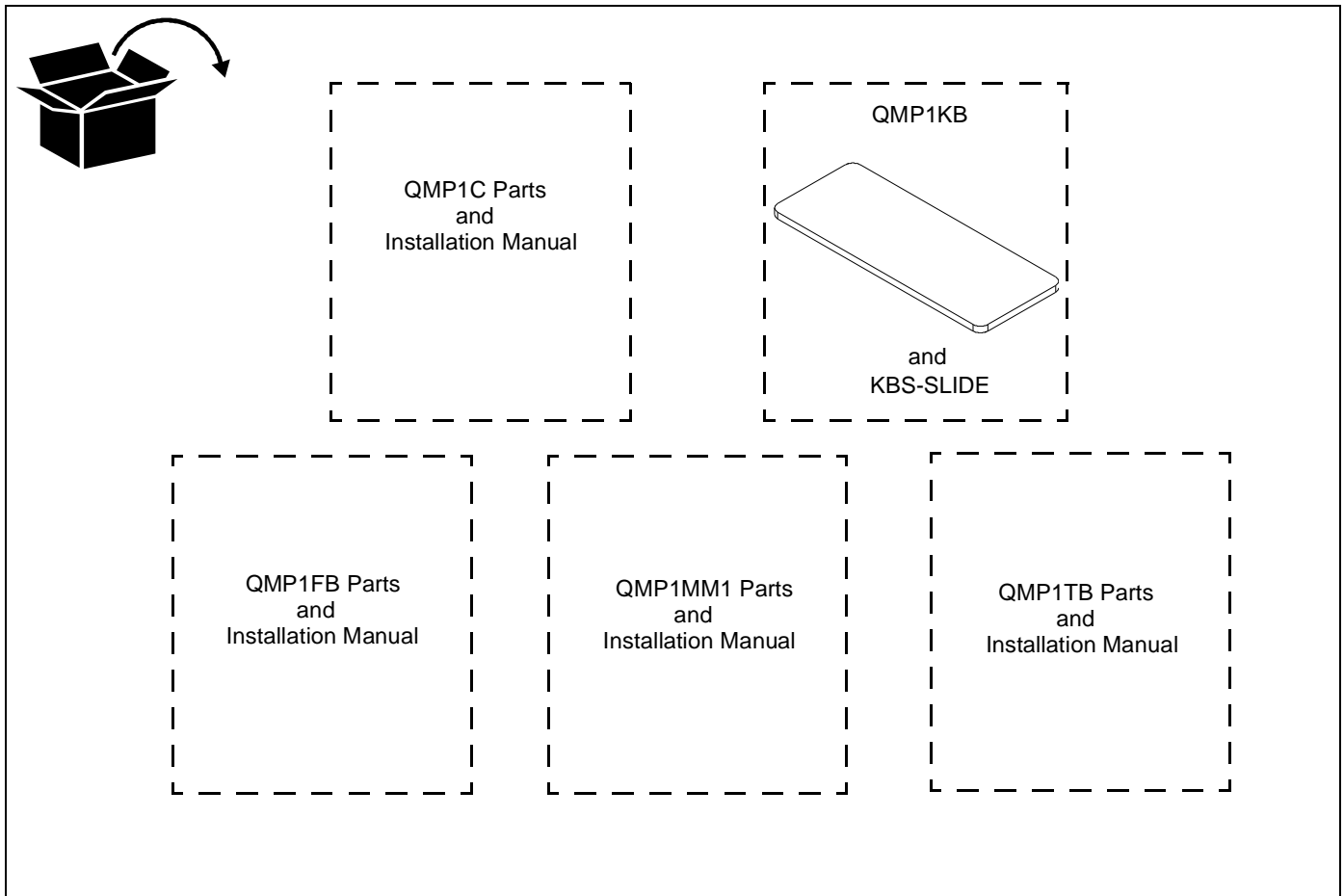
DIMENSIONS



TOOLS REQUIRED FOR INSTALLATION



PARTS



Assembly

1. Assemble the QMP1FB fixed base music stand following installation instructions included with the fixed base.
2. Assemble and install the QMP1C CPU holder to the stand following installation instructions included with CPU holder.
3. Assemble and install the QMP1TB table top to the stand following installation instructions included with the table top.
4. Assemble and install the QMP1KB articulating keyboard to the stand tray following instructions included with the KBS-SLIDE.
5. Assemble and install the QMP1MM1 height-adjust single monitor arm to the stand following installation instructions included with the monitor arm.



Chief Manufacturing, a products division
of Milestone AV Technologies

8832-002052 Rev01

©2011 Milestone AV Technologies, a
Duchossois Group Company

www.chiefmfg.com

01/11

USA/International	A 8401 Eagle Creek Parkway, Savage, MN 55378
	P 800.582.6480 / 952.894.6280
	F 877.894.6918 / 952.894.6918
Europe	A Fellenoord 130 5611 ZB EINDHOVEN, The Netherlands
	P +31 (0)40 2668620
	F +31 (0)40 2668615
Asia Pacific	A Office No. 1 on 12/F, Shatin Galleria 18-24 Shan Mei Street Fotan, Shatin, Hong Kong
	P 852 2145 4099
	F 852 2145 4477

