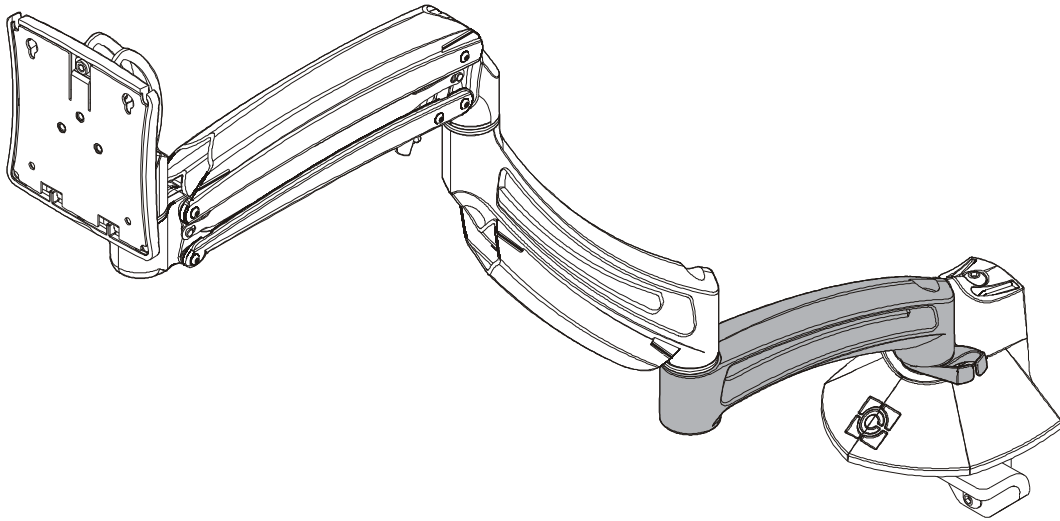

INSTALLATION INSTRUCTIONS



(shown with K1D120)

Kontour™ Extension Arm Accessory

DISCLAIMER

Milestone AV Technologies and its affiliated corporations and subsidiaries (collectively "Milestone"), intend to make this manual accurate and complete. However, Milestone makes no claim that the information contained herein covers all details, conditions or variations, nor does it provide for every possible contingency in connection with the installation or use of this product. The information contained in this document is subject to change without notice or obligation of any kind. Milestone makes no representation of warranty, expressed or implied, regarding the information contained herein. Milestone assumes no responsibility for accuracy, completeness or sufficiency of the information contained in this document.

Chief® and Kontour™ are registered trademarks of Milestone AV Technologies. All rights reserved.



IMPORTANT SAFETY INSTRUCTIONS!



WARNING: A WARNING alerts you to the possibility of serious injury or death if you do not follow the instructions.



CAUTION: A CAUTION alerts you to the possibility of damage or destruction of equipment if you do not follow the corresponding instructions.



WARNING: Failure to read, thoroughly understand, and follow all instructions can result in serious personal injury, damage to equipment, or voiding of factory warranty! It is the installer's responsibility to make sure all components are properly assembled and installed using the instructions provided.



WARNING: Use this mounting system only for its intended use as described in these instructions. Do not use attachments not recommended by the manufacturer.



WARNING: Do NOT use KRA220 extensions to create mounting arms greater than three links long!



WARNING: Do NOT use KRA220 extensions with K1C or K2C column mounts!



WARNING: Exceeding the weight capacity can result in serious personal injury or damage to equipment! Using the KRA220 extension changes the weight limit for each arm. Refer to the table for the adjusted weight limits and compatibility. Use with products heavier than the maximum weight indicated may result in collapse of the mount and its accessories causing possible injury.

MODEL	Max Weight Allowed for EACH Display (one arm)	Max Weight Allowed for EACH Display (two arms)
K0P100	25 lbs (11.34 kg)	10 lbs (4.5 kg)
K0W100	25 lbs (11.34 kg)	10 lbs (4.5 kg)
K0W100X12	2 lbs (0.9 kg)	2 lbs (0.9 kg)
K0W100X12T	2 lbs (0.9 kg)	2 lbs (0.9 kg)
K1D120	25 lbs (11.34 kg)	incompatible (3 links)
K1D120XDL	25 lbs (11.34 kg)	incompatible (3 links)
K1D22H	9 lbs (4.08 kg)	incompatible (3 links)
K1D220	10 lbs (4.5 kg)	incompatible (3 links)
K1D220XDL	10 lbs (4.5 kg)	incompatible (3 links)
K1D220X12	10 lbs (4.5 kg)	incompatible (3 links)
K1P110	25 lbs (11.34 kg)	10 lbs (4.5 kg)
K1P120	25 lbs (11.34 kg)	incompatible (3 links)
K1P22H	9 lbs (4.08 kg)	incompatible (3 links)
K1P220	10 lbs (4.5 kg)	incompatible (3 links)
K1S120	10 lbs (4.5 kg)	incompatible (3 links)
K1S22H	incompatible	incompatible
K1S220	10 lbs (4.5 kg)	incompatible (3 links)
K1W110	25 lbs (11.34 kg)	10 lbs (4.5 kg)
K1W120	25 lbs (11.34 kg)	incompatible (3 links)

MODEL	Max Weight Allowed for <u>EACH</u> Display (one arm)	Max Weight Allowed for <u>EACH</u> Display (two arms)
K1W22H	9 lbs (4.08 kg)	incompatible (3 links)
K1W220	10 lbs (4.5 kg)	incompatible (3 links)
K2P110	25 lbs (11.34 kg)	10 lbs (4.5 kg)
K2P120	25 lbs (11.34 kg)	incompatible (3 links)
K2P22H	7.5 lbs (3.4 kg)	incompatible (3 links)
K2P220	10 lbs (4.5 kg)	incompatible (3 links)
K2W110	25 lbs (11.34 kg)	10 lbs (4.5 kg)
K2W120	25 lbs (11.34 kg)	incompatible (3 links)
K2W21H	15 lbs (6.8 kg)	7.5 lbs (3.4 kg)
K2W22H	7.5 lbs (3.4 kg)	incompatible (3 links)
K2W220	10 lbs (4.5 kg)	incompatible (3 links)



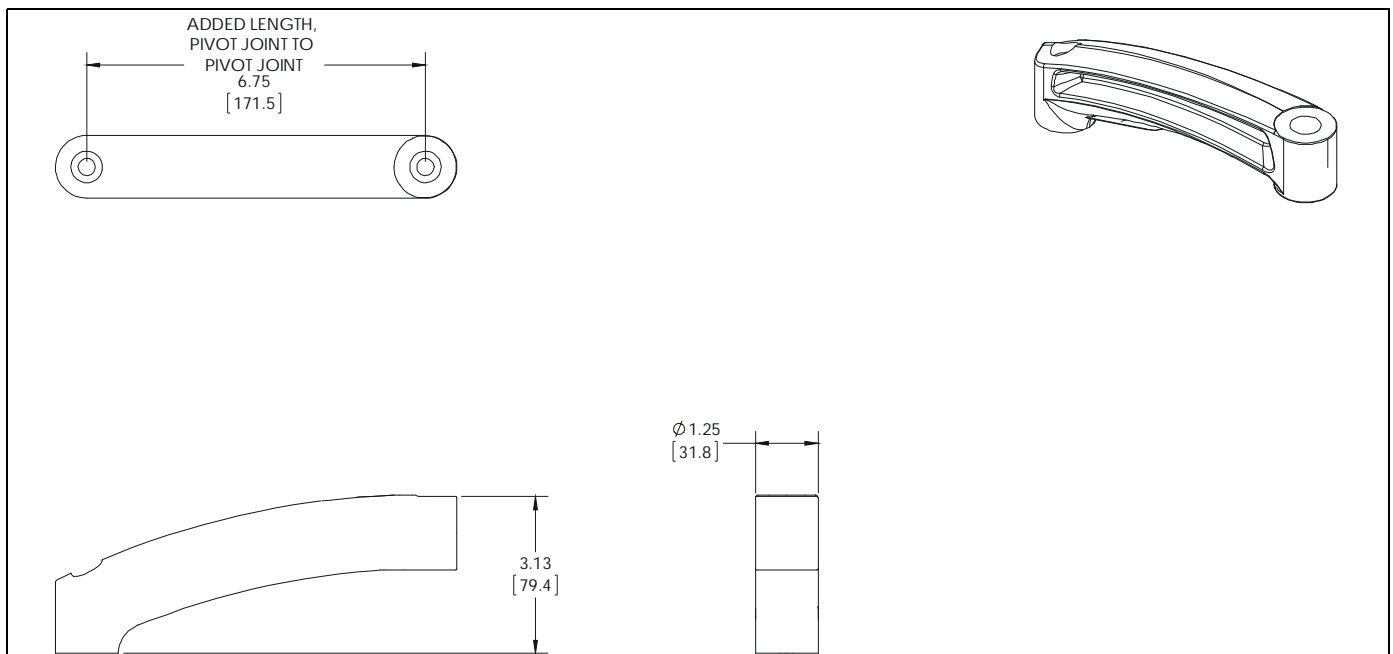
WARNING: Never operate this mounting system if it is damaged. Return the mounting system to a service center for examination and repair.



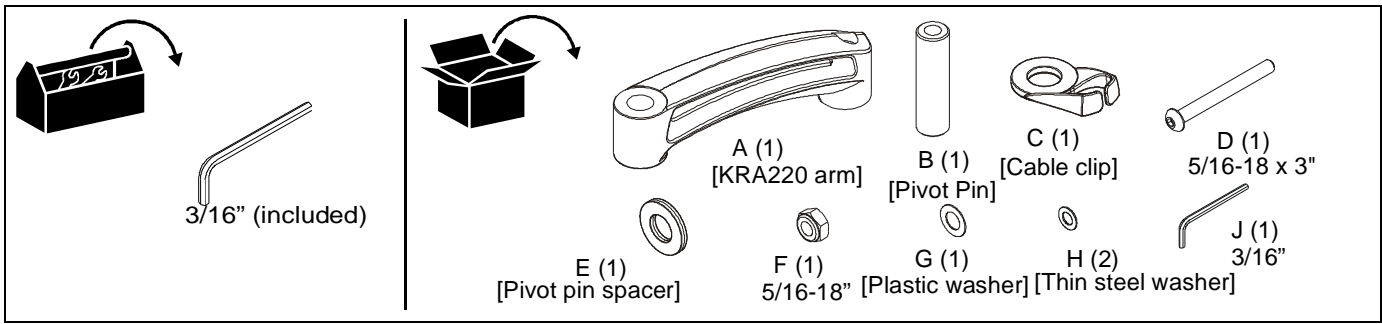
WARNING: Do not use this product outdoors.

--SAVE THESE INSTRUCTIONS--

DIMENSIONS



TOOLS / PARTS FOR INSTALLATION



ASSEMBLY AND INSTALLATION

1. Remove arm from mount by loosening button head cap screw until arm is completely disengaged from the bolt. (See Figure 1)
2. Set aside arm and mounting hardware for reuse.

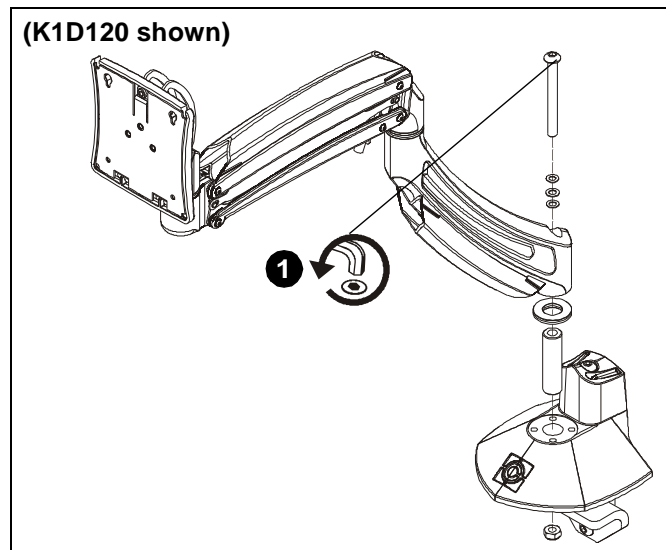


Figure 1

3. Use hardware removed in Step 1 to secure removed arm to KRA220 extension arm (A). (See Figure 2)

IMPORTANT ! : Make sure hardware is installed in the correct order as shown in Figure 2.

4. Use 5/16-18 x 3" button head cap screw (D), two thin steel washers (H), plastic washer (G), pivot pin spacer (E) and 5/16-18 lock nut (F) to secure KRA220 arm to Kontour mount. (See Figure 2)

NOTE: Cable clip (C) may be used in place of pivot pin spacer (E) if cable management is desired at the attachment point. (See Figure 2)



WARNING: Do NOT use KRA220 extensions to create mounting arms greater than three links long! (See Figure 3)

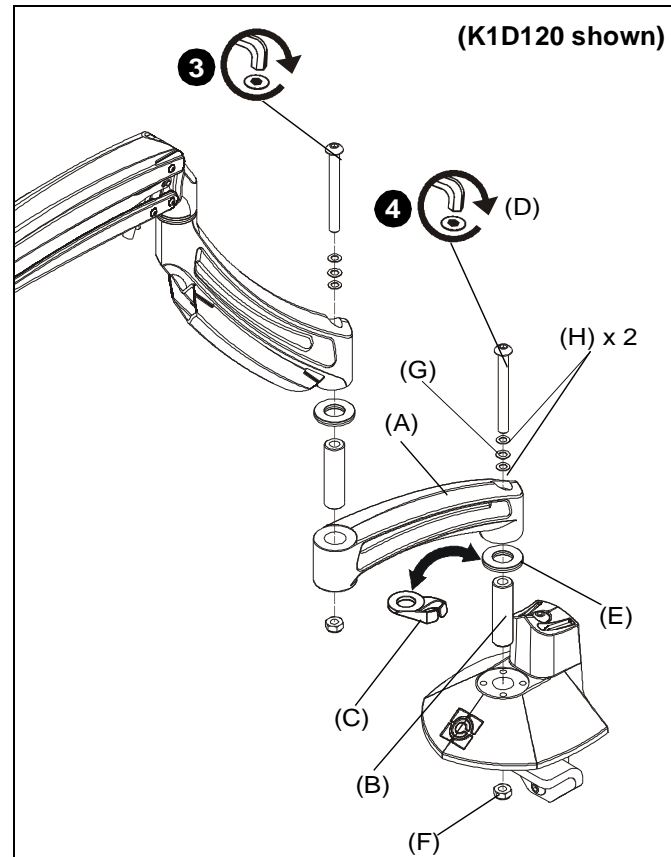


Figure 2

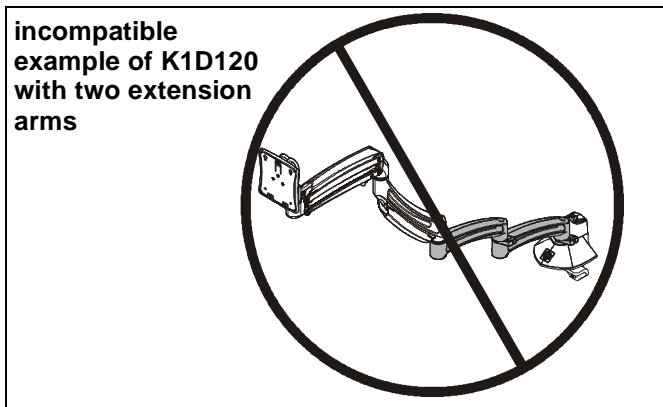


Figure 3

- Complete installation to Kontour mount following Kontour mount installation instructions.



WARNING: Exceeding the weight capacity can result in serious personal injury or damage to equipment! Using the KRA220 extension changes the weight limit for each arm. Refer to the table for the adjusted weight limits and compatibility. Use with products heavier than the maximum weight indicated may result in collapse of the mount and its accessories causing possible injury.



WARNING: Do NOT use KRA220 extensions with K1C or K2C column mounts!

MODEL	Max Weight Allowed for <u>EACH</u> Display (one arm)	Max Weight Allowed for <u>EACH</u> Display (two arms)
K0P100	25 lbs (11.34 kg)	10 lbs (4.5 kg)
K0W100	25 lbs (11.34 kg)	10 lbs (4.5 kg)
K0W100X12	2 lbs (0.9 kg)	2 lbs (0.9 kg)
K0W100X12T	2 lbs (0.9 kg)	2 lbs (0.9 kg)
K1D120	25 lbs (11.34 kg)	incompatible (3 links)
K1D120XDL	25 lbs (11.34 kg)	incompatible (3 links)
K1D22H	9 lbs (4.08 kg)	incompatible (3 links)
K1D220	10 lbs (4.5 kg)	incompatible (3 links)
K1D220XDL	10 lbs (4.5 kg)	incompatible (3 links)
K1D220X12	10 lbs (4.5 kg)	incompatible (3 links)
K1P110	25 lbs (11.34 kg)	10 lbs (4.5 kg)
K1P120	25 lbs (11.34 kg)	incompatible (3 links)
K1P22H	9 lbs (4.08 kg)	incompatible (3 links)

MODEL	Max Weight Allowed for <u>EACH</u> Display (one arm)	Max Weight Allowed for <u>EACH</u> Display (two arms)
K1P220	10 lbs (4.5 kg)	incompatible (3 links)
K1S120	10 lbs (4.5 kg)	incompatible (3 links)
K1S22H	incompatible	incompatible
K1S220	10 lbs (4.5 kg)	incompatible (3 links)
K1W110	25 lbs (11.34 kg)	10 lbs (4.5 kg)
K1W120	25 lbs (11.34 kg)	incompatible (3 links)
K1W22H	9 lbs (4.08 kg)	incompatible (3 links)
K1W220	10 lbs (4.5 kg)	incompatible (3 links)
K2P110	25 lbs (11.34 kg)	10 lbs (4.5 kg)
K2P120	25 lbs (11.34 kg)	incompatible (3 links)
K2P22H	7.5 lbs (3.4 kg)	incompatible (3 links)
K2P220	10 lbs (4.5 kg)	incompatible (3 links)
K2W110	25 lbs (11.34 kg)	10 lbs (4.5 kg)
K2W120	25 lbs (11.34 kg)	incompatible (3 links)
K2W21H	15 lbs (6.8 kg)	7.5 lbs (3.4 kg)
K2W22H	7.5 lbs (3.4 kg)	incompatible (3 links)
K2W220	10 lbs (4.5 kg)	incompatible (3 links)



Our Mounts. **Your Vision.**

Chief, a products division of
Milestone AV Technologies

8800-002492 Rev00
©2014 Milestone AV Technologies
www.chiefmfg.com
03/14

USA/International **A** 6436 City West Parkway, Eden Prairie, MN 55344
 P 800.582.6480 / 952.225.6000
 F 877.894.6918 / 952.894.6918

Europe **A** Franklinstraat 14, 6003 DK Weert, Netherlands
 P +31 (0) 495 580 852
 F +31 (0) 495 580 845

Asia Pacific **A** Office No. 918 on 9/F, Shatin Galleria
 18-24 Shan Mei Street
 Fotan, Shatin, Hong Kong
 P 852 2145 4099
 F 852 2145 4477

