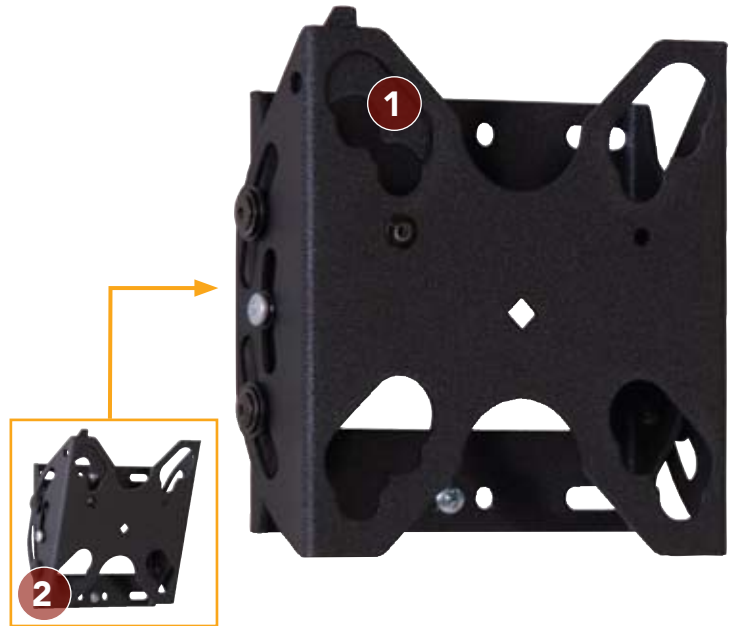




**FEATURES**

- 1 Q-LATCH™ MOUNTING SYSTEM**  
Flat panel secures to mount with a latching flag. Easy to connect/disconnect – no tools needed! Protect display by adding a padlock.
- 2 CENTRIS™ FINGERTIP TILT**  
Effortlessly adjust display using Centris fingertip tilt technology. Screen angle stays set until you decide to re-adjust.



**SPECIFICATIONS**

Depth from Wall	1.95" (50 mm)
Tilt	+5°, -15°
Lateral Shift	0.5" (13 mm)
Dimensions* (HxWxD)	5.4" x 5.33" x 1.95" (138 x 136 x 49.5 mm)
Color	Black
Weight Capacity	45 lbs (20.4 kg) stud 30 lbs (13.6 kg) drywall

\* Dimensions don't include interface bracket



**WHAT YOU NEED TO KNOW**

**HOLE PATTERN CRITERIA**

If your hole pattern does not match the VESA standard, call Customer Service at 1-800-582-6480 to determine which Chief mount fits your display.

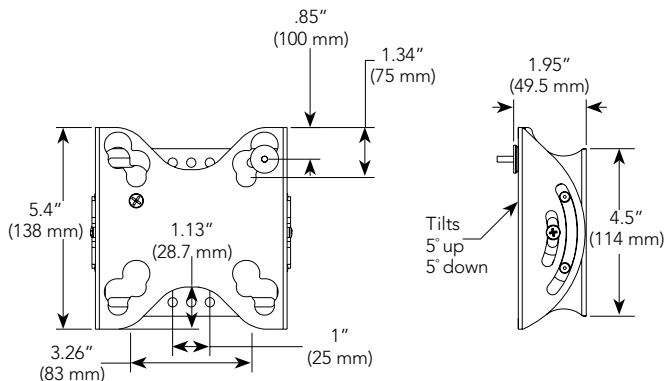
**MULTIPLE INSTALLATION OPTIONS**

Choose either a single stud or drywall mounting system.

**INSTALLATION**

Includes all mounting hardware.

**TECHNICAL DRAWINGS**



**RECOMMENDED ACCESSORIES**



**PX2W** ■ Power Outlet Conditioner

For a complete list of flat panel mount accessories see page 73.