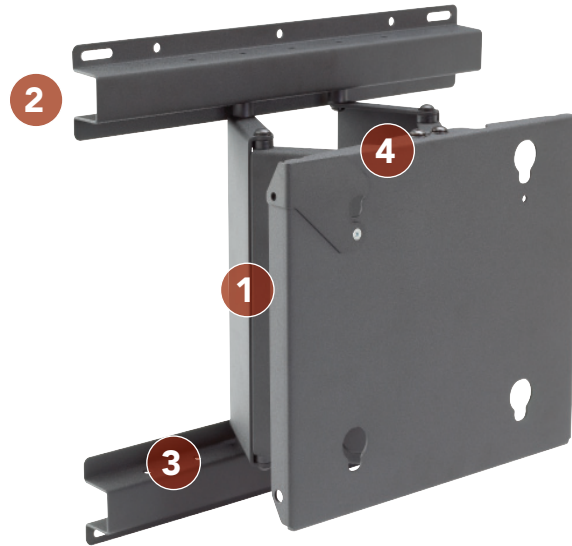




FEATURES

- 1 SMOOTH EXTENSION**
Extends 8.75" (222 mm) to achieve ideal viewing angle.
- 2 LOW PROFILE**
Designed to ensure mount remains concealed behind the screen.
- 3 INTEGRATED LATERAL SHIFT**
Reposition mount left or right after installation for ultimate positioning flexibility.
- 4 SMOOTH SWIVEL**
Smooth swivel up to 45° in either direction.
- 5 INTEGRATED SECURITY**
Use a padlock or supplied tamper-proof screw for added security.



SPECIFICATIONS

Extension	8.75" (222 mm)
Swivel	Up to 45°
Depth from Wall	1.5" (38 mm)
Dimensions* (HxWxD)	16.3" x 18" x 1.5" (414 x 457 x 38 mm)
Color	Black
Weight Capacity	125 lbs (56.7 kg)

* Dimensions do not include interface bracket

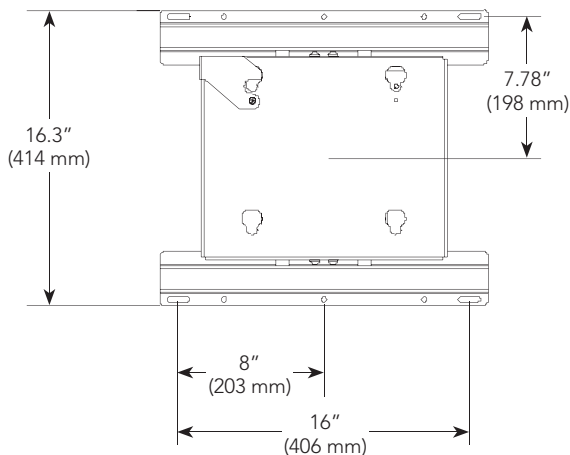
WHAT YOU NEED TO KNOW

ORDERING OPTIONS

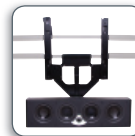
Available in custom and universal.

- MPWU = Universal 30 - 50"
- MPWV = VESA 100 x 100mm, 200 x 100 mm, 200 x 200 mm, 300 x 100 mm, 300 x 200 mm and 400 x 200 mm patterns
- MPW6000 + MSB6XXX = Custom (see MountFinder at www.chiefmfg.com)

TECHNICAL DRAWINGS



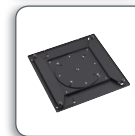
RECOMMENDED ACCESSORIES



PACCC1 ■ Center Channel Speaker Adapter



PACL1 ■ Left/Right Speaker Adapter



MAC400 ■ 90° Rotation Adapter

For a complete list of flat panel mount accessories see page 83.