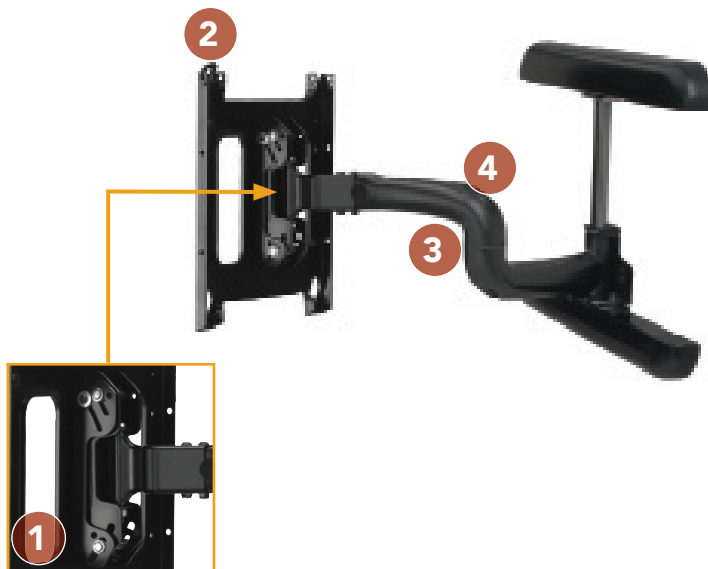




FEATURES

- 1 CENTRIS® FINGERTIP TILT**
Select the perfect tension for your screen's center of gravity to achieve smooth fingertip tilt. Screen angle stays set until you decide to readjust.
- 2 Q-LATCH® MOUNTING SYSTEM**
Flat panel secures to mount with a latching flag. Easy to connect/disconnect – no tools needed!
- 3 EXTENDS UP TO 24.88"**
Extends up to 24.88" (632 mm) for viewing from any angle!
- 4 CABLETRAC™ SYSTEM**
Channeled cable management provides quick and easy routing of cables.



SPECIFICATIONS

Extension	24.88" (632 mm)
Tilt/Roll	-15°, +5°/ ±2.5°
Dimensions* (HxWxD)	18" x 23.63" x 3.38" (457 x 600 x 86 mm)
Color	Black, Silver
Weight Capacity	125 lbs (56.7 kg)

* Dimensions do not include interface bracket



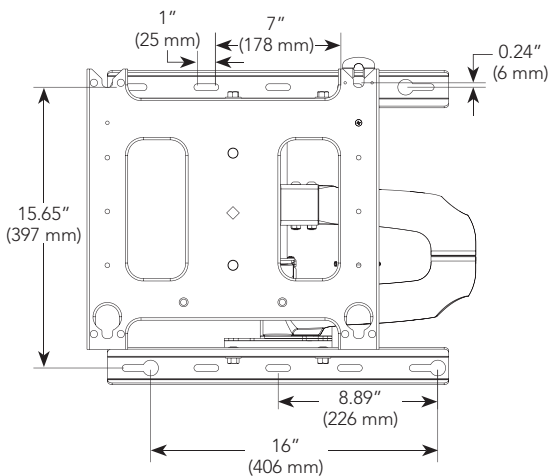
WHAT YOU NEED TO KNOW

ORDERING OPTIONS

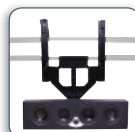
Available in Custom and Universal.

- PWRU = Universal 37 - 55"
- PWRXXXX = Custom (see MountFinder™ Pro at www.chiefmfg.com)

TECHNICAL DRAWINGS



RECOMMENDED ACCESSORIES



PACCC1 ■ Center Channel Speaker Adapter



PACLR1 ■ Left/Right Speaker Adapter



PAC715 ■ VC Camera Shelf (above)

For a complete list of flat panel mount accessories see page 83.