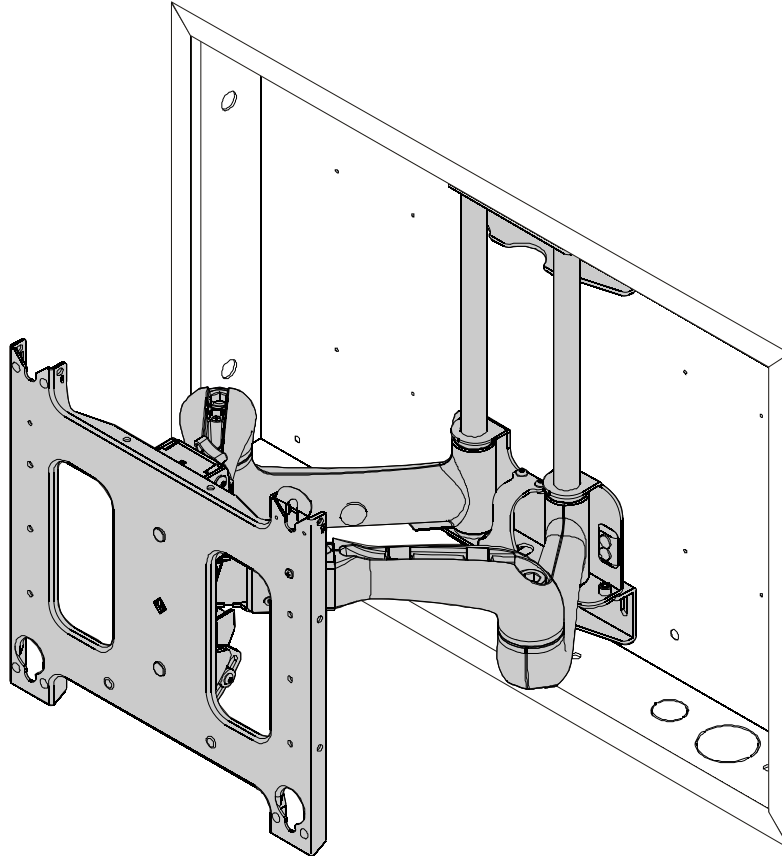

INSTALLATION INSTRUCTIONS



Large Flat Panel In-Wall Swing Arm Mount

DISCLAIMER

Milestone AV Technologies, and its affiliated corporations and subsidiaries (collectively, "Milestone"), intend to make this manual accurate and complete. However, Milestone makes no claim that the information contained herein covers all details, conditions or variations, nor does it provide for every possible contingency in connection with the installation or use of this product. The information contained in this document is subject to change without notice or obligation of any kind. Milestone makes no representation of warranty, expressed or implied, regarding the information contained herein. Milestone assumes no responsibility for accuracy, completeness or sufficiency of the information contained in this document.

®Chief and Centris Select™ are registered trademarks of Milestone AV Technologies. All rights reserved.



IMPORTANT WARNINGS AND CAUTIONS!



WARNING: A WARNING alerts you to the possibility of serious injury or death if you do not follow the instructions.



CAUTION: A CAUTION alerts you to the possibility of damage or destruction of equipment if you do not follow the corresponding instructions.



WARNING: Failure to read, thoroughly understand, and follow all instructions can result in serious personal injury, damage to equipment, or voiding of factory warranty! It is the installer's responsibility to make sure all components are properly assembled and installed using the instructions provided.



WARNING: Failure to provide adequate structural strength for this component can result in serious personal injury or damage to equipment! It is the installer's responsibility to make sure the structure to which this component is attached can support five times the combined weight of all equipment. Reinforce the structure as required before installing the component.



WARNING: Exceeding the weight capacity can result in serious personal injury or damage to equipment! It is the installer's responsibility to make sure the combined weight of all components attached to this accessory does not exceed 200 lbs (90.72 kg).

PNRIW Series contains the following models:

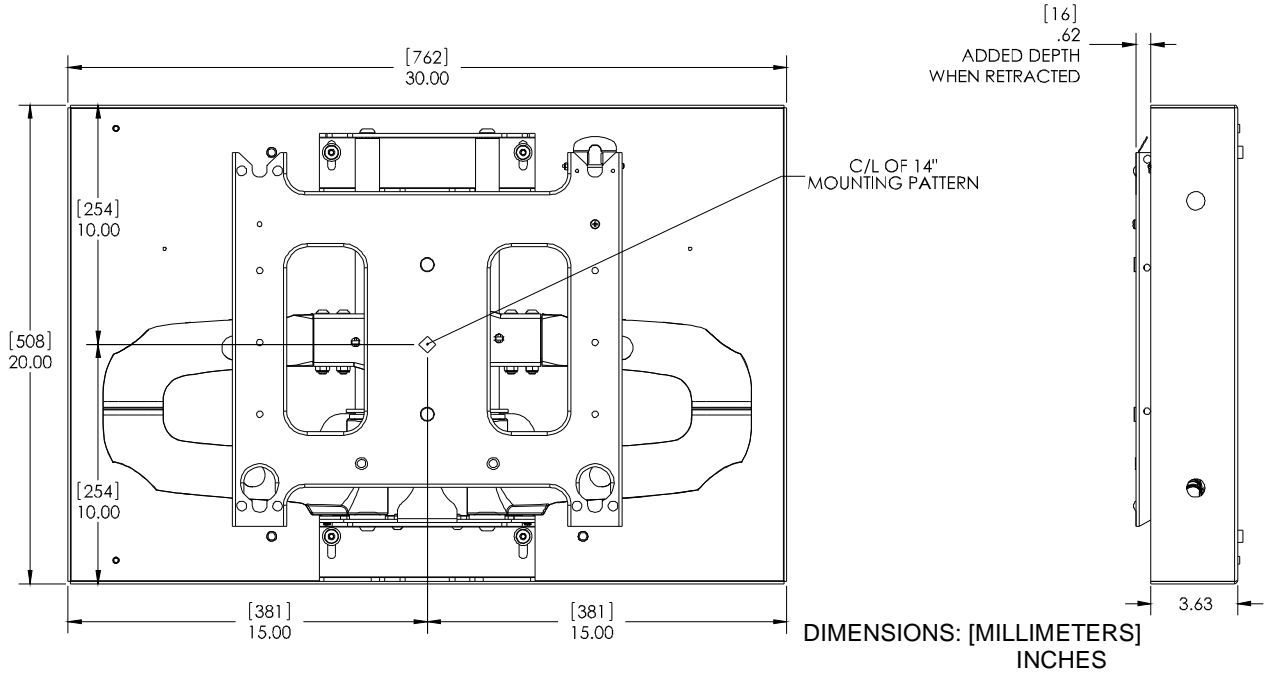
- PNRIW2000B
- PNRIWUB

DIMENSIONS

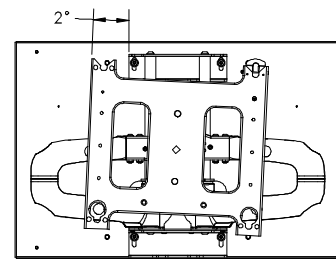
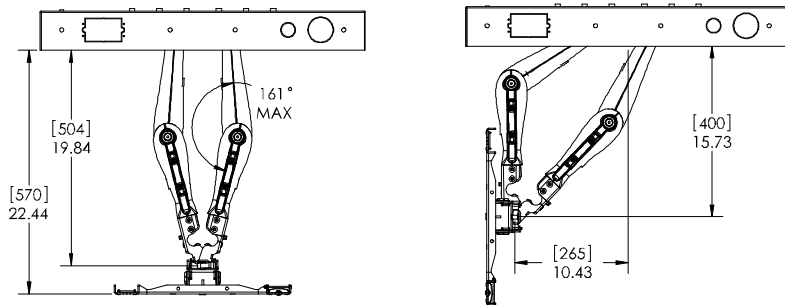
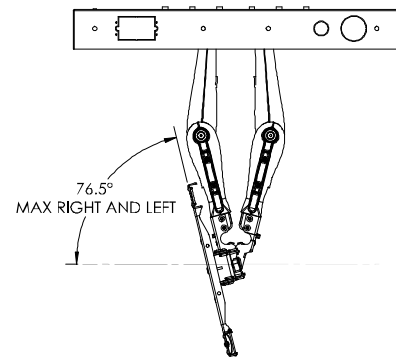
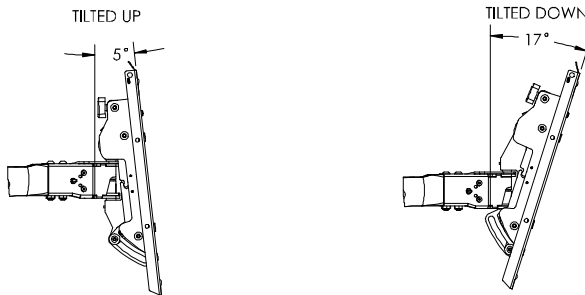
NOTE: CUSTOM INTERFACE BRACKET NOT SHOWN. THE CUSTOM INTERFACE BRACKET NEEDED FOR YOUR DISPLAY WILL ADD BETWEEN 1/2" AND 2" IN DEPTH AND MAY AFFECT THE LOCATION OF THE DISPLAY ON THE MOUNT.

SEE PSB-XXXX DRAWING ALSO

PNRIW SHOWN IN PAC-501 WHICH MUST BE ORDERED SEPARATELY



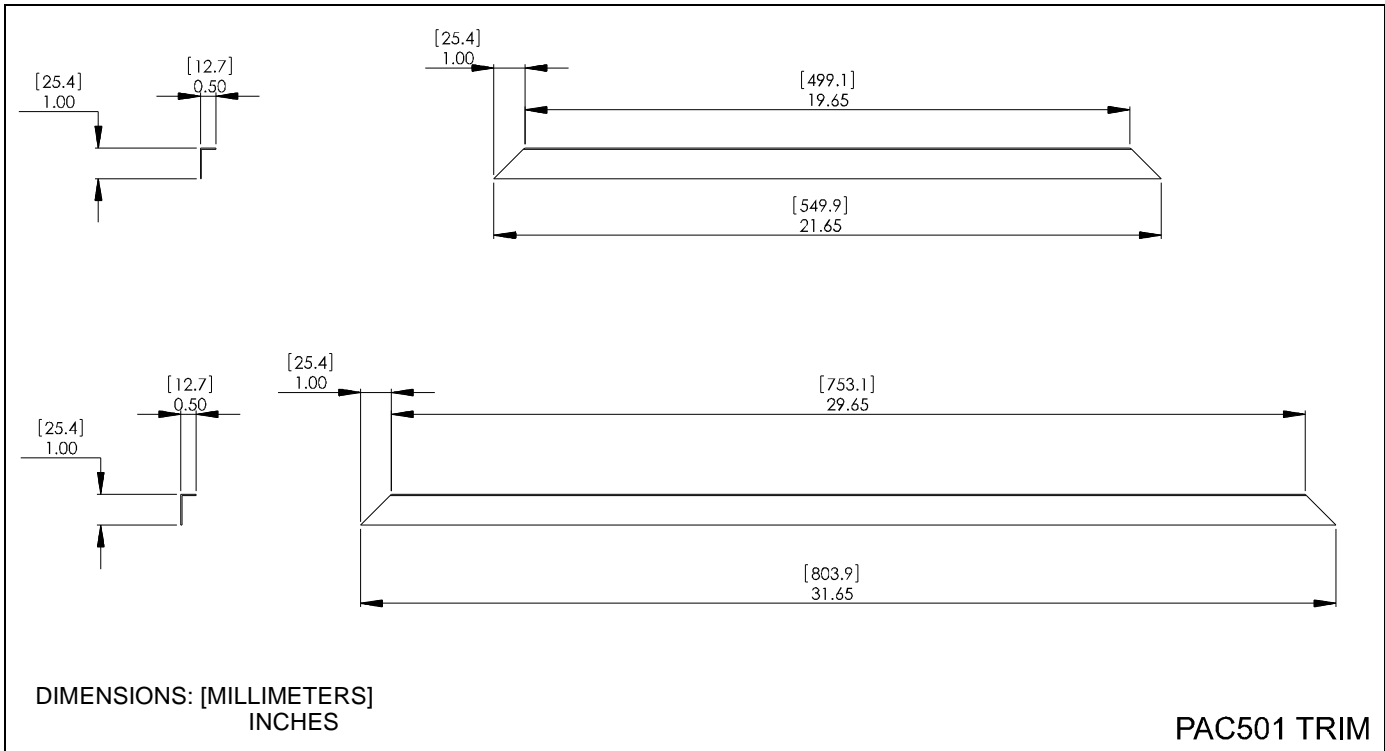
TILT ADJUSTMENT



ROLL ADJUSTMENT

DIMENSIONS: [MILLIMETERS]
INCHES

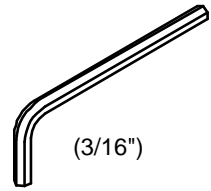
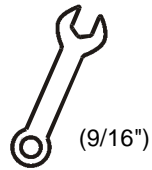
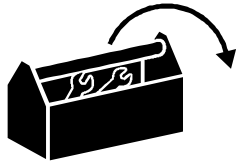
DIMENSIONS (CONT'D)



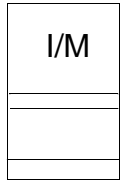
LEGEND

	Tighten Fastener		Hex-Head Wrench
	Apretar elemento de fijación		Llave de cabeza hexagonal
	Befestigungsteil festziehen		Sechskantschlüssel
	Apertar fixador		Chave de cabeça sextavada
	Serrare il fissaggio		Chiave esagonale
	Bevestiging vastdraaien		Zeskantsleutel
Serrez les fixations	Clé à tête hexagonale		
	Loosen Fastener		Phillips Screwdriver
	Aflojar elemento de fijación		Destornillador Phillips
	Befestigungsteil lösen		Kreuzschlitzschraubendreher
	Desapertar fixador		Chave de fendas Phillips
	Allentare il fissaggio		Cacciavite a stella
	Bevestiging losdraaien		Kruiskopschroevendraaier
Desserrez les fixations	Tournevis à pointe cruciforme		

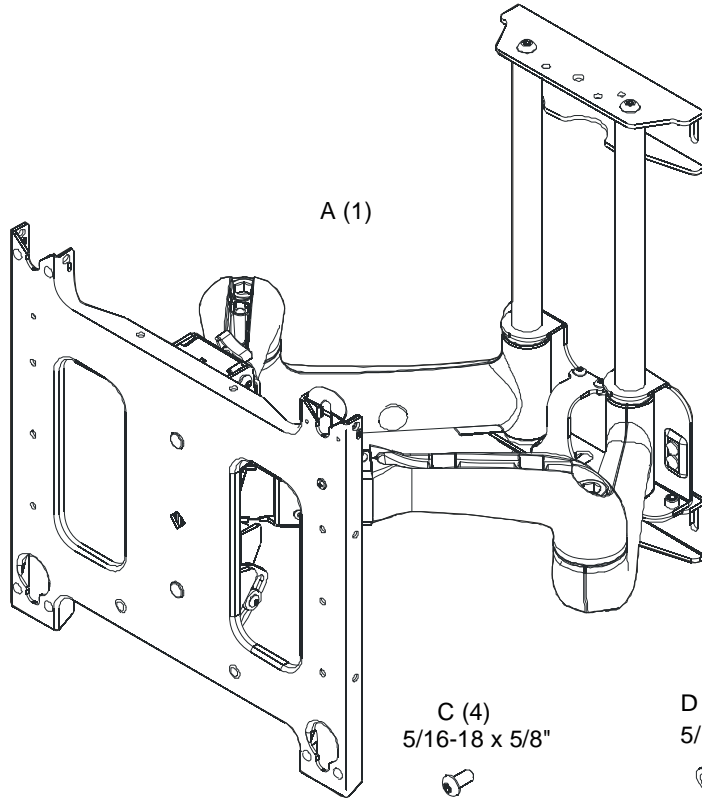
TOOLS REQUIRED FOR INSTALLATION AND PARTS



NOTE:
Listed PSBU interface bracket provided with Listed Model PNRIWUB, but not shown.



x1



F (16)



G (4)



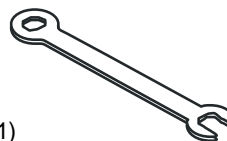
H (4)



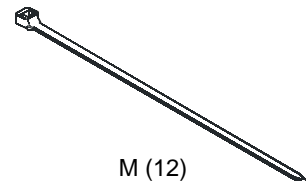
J (1)
3/16"



K (1)



L (1)



M (12)

Installation

The following procedure assumes that a Chief Listed Model PAC501 In-Wall accessory has previously been installed following the installation instructions provided with the PAC501. If a PAC501 is not installed or there are any other questions regarding the installation of this accessory, immediately contact a Chief Customer Service representative.

⚠ WARNING: IMPROPER INSTALLATION CAN LEAD TO MOUNT FALLING CAUSING SEVERE PERSONAL INJURY OR DAMAGE TO EQUIPMENT! DO NOT deviate from installation instructions provided. **DO NOT** substitute hardware.

1. Align mounting holes in swing arm UPPER and LOWER mounting brackets with four mounting holes in PAC501. (See Figure 1)

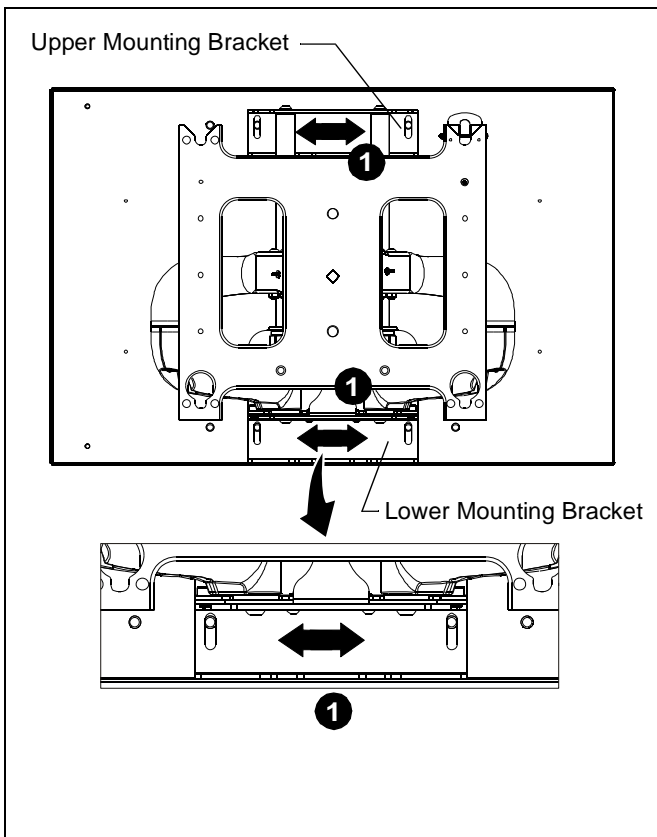


Figure 1

2. Secure swing arm to PAC501 using four button head cap screws (C), four lock washers (D) and four flat washers (E). (See Figure 2)

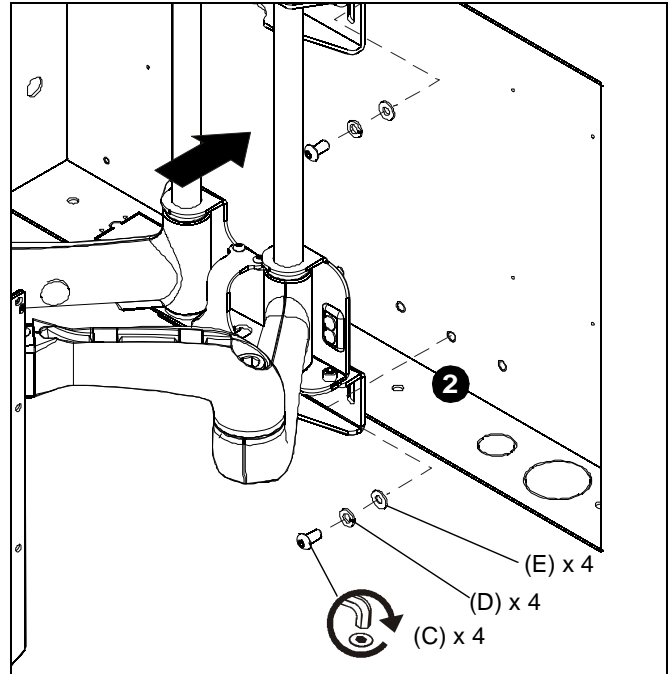


Figure 2

Trim Installation

To install optional trim;

1. Remove paper covering adhesive and affix three tape squares (F) to inside lower flange of each trim piece (B). (See Figure 3)
2. Orient trim pieces (B) as shown in figure below. (See Figure 3)
3. Remove paper covering adhesive back from tape squares (F) on trim and press trim (B) against inner wall of box. (See Figure 3)

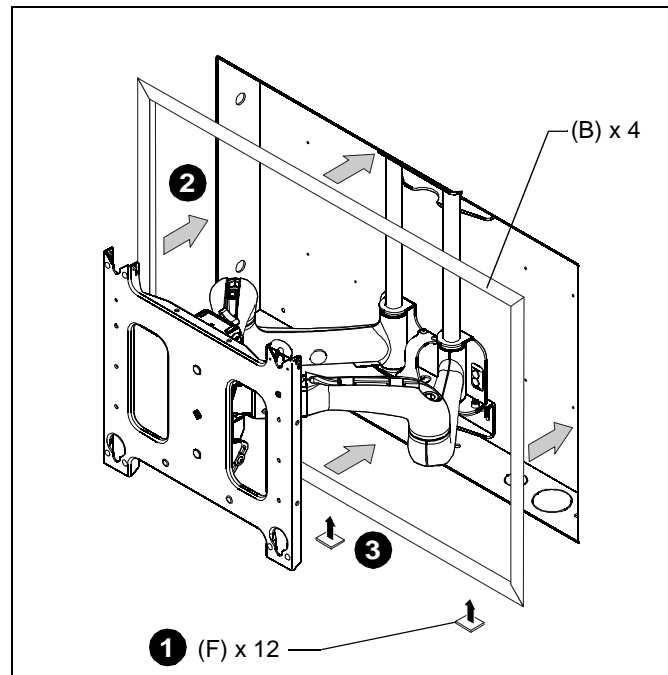


Figure 3

Display Installation



WARNING: IMPROPER INSTALLATION CAN LEAD TO MOUNT FALLING CAUSING SEVERE PERSONAL INJURY OR DAMAGE TO EQUIPMENT! DO NOT install display in a manner other than that specified by the manufacturer. Certain displays may require the use of an interface bracket for proper installation of the display. If an interface bracket is not installed or there are any other questions regarding the installation of the display, immediately contact a Chief Customer Service representative.



WARNING: IMPROPER INSTALLATION CAN LEAD TO MOUNT FALLING CAUSING SEVERE PERSONAL INJURY OR DAMAGE TO EQUIPMENT. Displays can weigh in excess of 40 lbs (18.1kg). ALWAYS use two people and proper lifting techniques when installing display.



WARNING: IMPROPER INSTALLATION CAN LEAD TO MOUNT FALLING CAUSING SEVERE PERSONAL INJURY OR DAMAGE TO EQUIPMENT. Make sure mounting buttons on display are properly seated in mounting holes in faceplate.

1. Install Listed interface bracket following the installation instructions provided with the interface bracket.
2. Move mount faceplate to extended position by grasping faceplate and pulling outward away from wall. (See Figure 4)
3. While supporting both sides of display, align four mounting buttons on display or interface bracket with four mounting holes in faceplate. (See Figure 4)
4. Lower display into place listening for audible "click" to ensure recessed area of mounting buttons are properly seated in lower area of mounting holes and "click lock" mechanism has engaged. (See Figure 4) and (See Figure 5)

NOTE: Holes are provided in the faceplate for use with a padlock or similar locking device, if desired. In addition, the pin and nut may be removed from the upper holes and moved to the lower holes for use as a more permanent locking device. (See Figure 5)

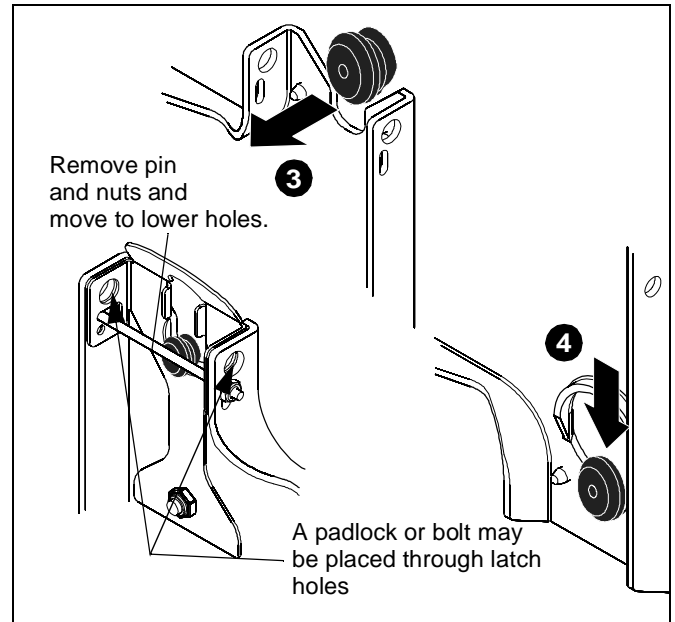


Figure 5

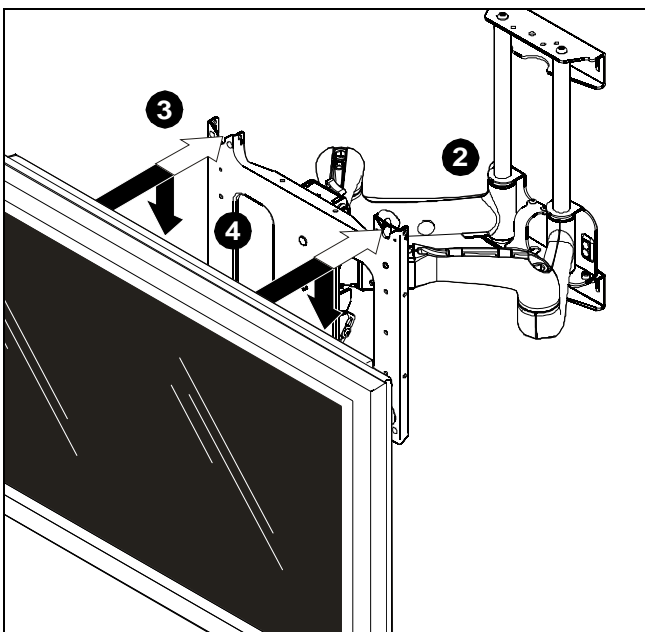


Figure 4

Cable Management

1. Attach all cables to display.
2. If necessary, use cable tie mounts (G) and cable ties (M) to secure cables within PAC501.



WARNING: IMPROPER INSTALLATION CAN LEAD TO SERIOUS PERSONAL INJURY OR DAMAGE TO EQUIPMENT! Make sure cables do not run through pinch points.

3. Loosen front and rear cable clamps on top arm.
(See Figure 6)
4. Thread cable ties (M) under cable clamps and secure clamps to top arm. (See Figure 6)
5. Route power/audio/video cables through the cable channel in top arm (See Figure 6), allowing sufficient slack in cables for left/right movement of display and swing arm and also swing arm extension and retraction.
6. Secure cables to top arm using two cable ties (M).
7. Repeat steps 3 through 6 for lower arm.



WARNING: IMPROPER INSTALLATION CAN LEAD TO SERIOUS PERSONAL INJURY OR DAMAGE TO EQUIPMENT! DO NOT route cables through holes in faceplate.

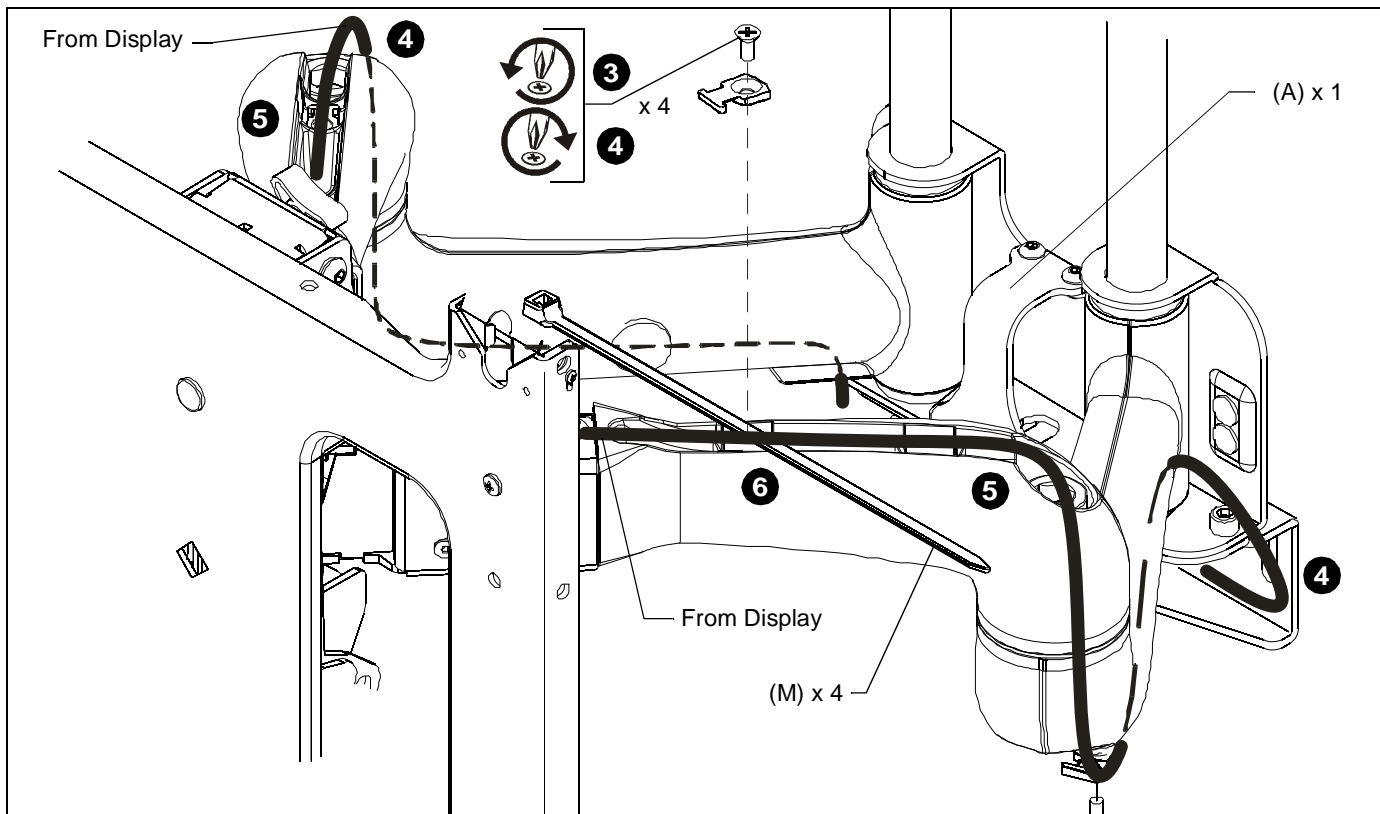


Figure 6

Adjustments

TENSION ADJUSTMENTS

Pitch Tension Adjustment

1. With display mounted, check for desired Pitch tension.
2. If required, adjust the Centris Select™ knob right or left until desired Pitch tension is obtained. (See Figure 7)
3. To lock the mount at the desired position, tighten the Pitch locking screw. (See Figure 8)

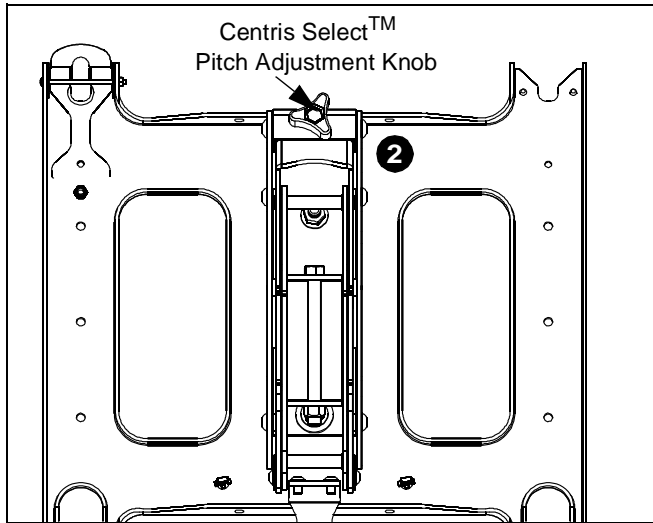


Figure 7

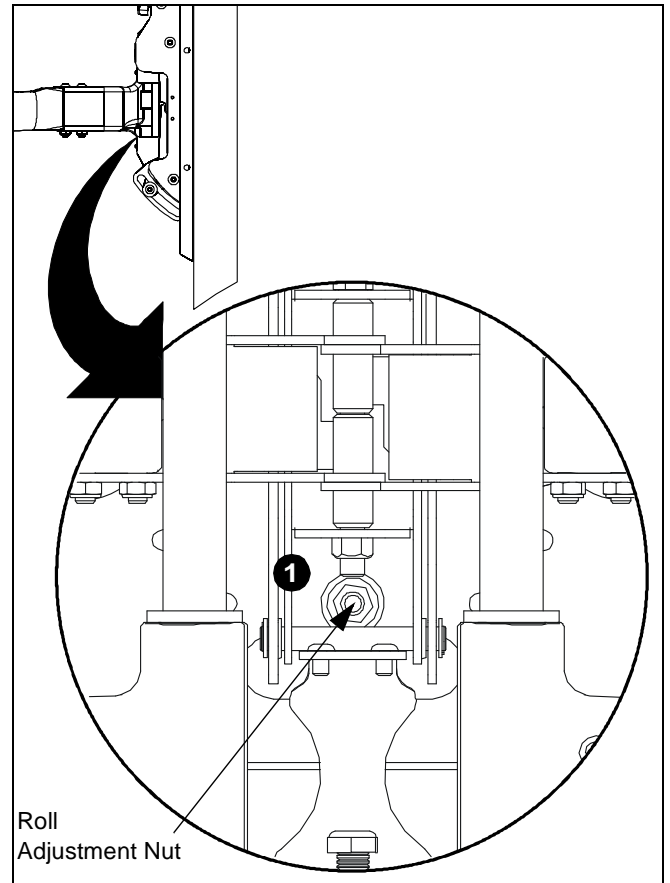


Figure 9

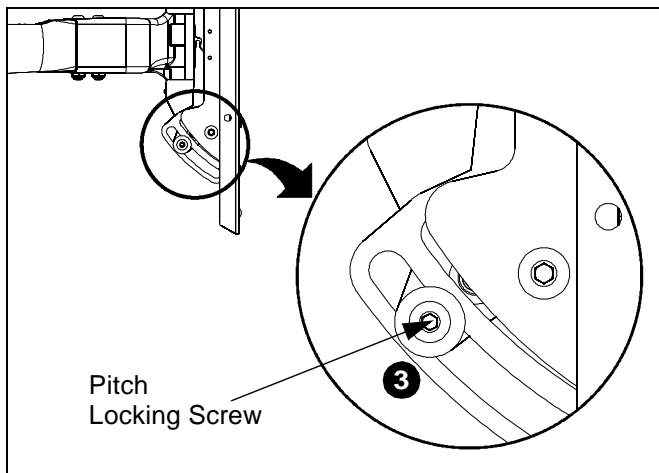


Figure 8

Roll Tension Adjustment



CAUTION: IMPROPER INSTALLATION CAN LEAD TO SERIOUS PERSONAL INJURY OR DAMAGE TO EQUIPMENT! Overtightening lateral adjustment will cause excessive wear and may distort adjustment components.

1. Using a 9/16" wrench (not provided), slightly tighten or loosen lateral Roll tension adjustment nut. (See Figure 9)
2. Mount the display and check for desired roll tension.
3. Repeat Steps 1 and 2 until desired Roll tension is obtained.

Swing Arm Tension Adjustment

Swing arm tension is pre-set at the factory and is adjusted to accommodate displays with weights near the top of the mounts capacity.

If smaller displays are used it may be difficult to reposition the display after mounting. Swing arm tension can be adjusted to compensate for smaller display.

NOTE: The display must be mounted prior to adjusting swing arm tension.

1. Locate the adjustment bar (K) and adjustment wrench (L).
2. Place adjustment bar (K) into socket head cap screw located at swing arm pivot point. (See Figure 10)

NOTE: The display may need to be repositioned in order to gain access to the tension adjustment screw(s).

3. Check swing arm tension. If desired tension is present, tension adjustment is complete. If additional tension adjustment is required, repeat steps 2 thru 4 until desired tension is achieved.

NOTE: It may be necessary to increase swing arm tension if changing from a smaller display to a larger display.

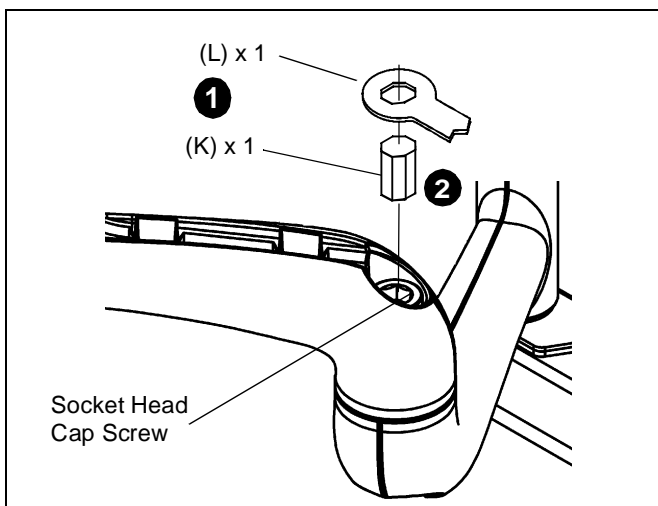


Figure 10

4. Using the adjustment wrench (L), turn adjustment bar (K) clockwise to increase swing arm tension or counterclockwise to reduce swing arm tension. (Small adjustments of 1/8 turn or less are typically all that is required to achieve desired tension.) (See Figure 11) and (See Figure 12)

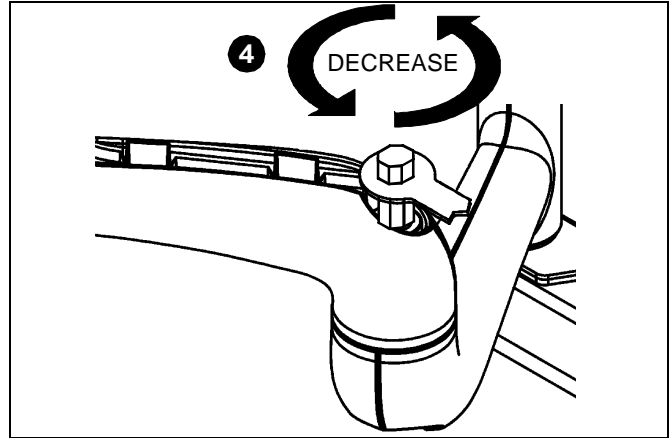


Figure 11

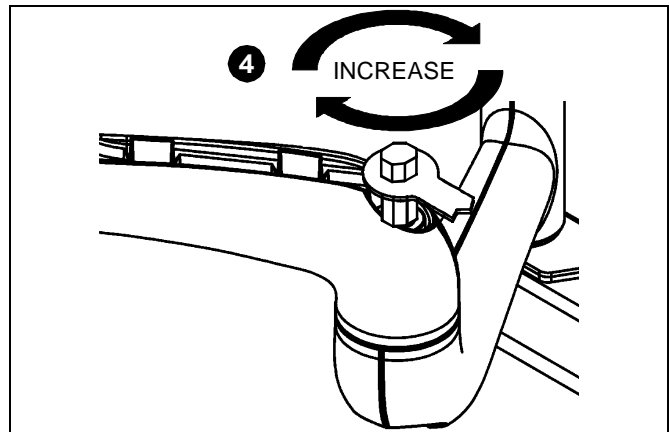


Figure 12



Our Mounts. **Your Vision.**

Chief Manufacturing, a products division
of Milestone AV Technologies

8805-000242 Rev03
©2010 Milestone AV Technologies,
a Duchossois Group Company
www.chiefmfg.com
02/10

USA/International	A 8401 Eagle Creek Parkway, Savage, MN 55378 P 800.582.6480 / 952.894.6280 F 877.894.6918 / 952.894.6918
Europe	A Fellenoord 130 5611 ZB EINDHOVEN, The Netherlands P +31 (0)40 2668620 F +31 (0)40 2668615
Asia Pacific	A Office No. 1 on 12/F, Shatin Galleria 18-24 Shan Mei Street Fotan, Shatin, Hong Kong P 852 2145 4099 F 852 2145 4477

