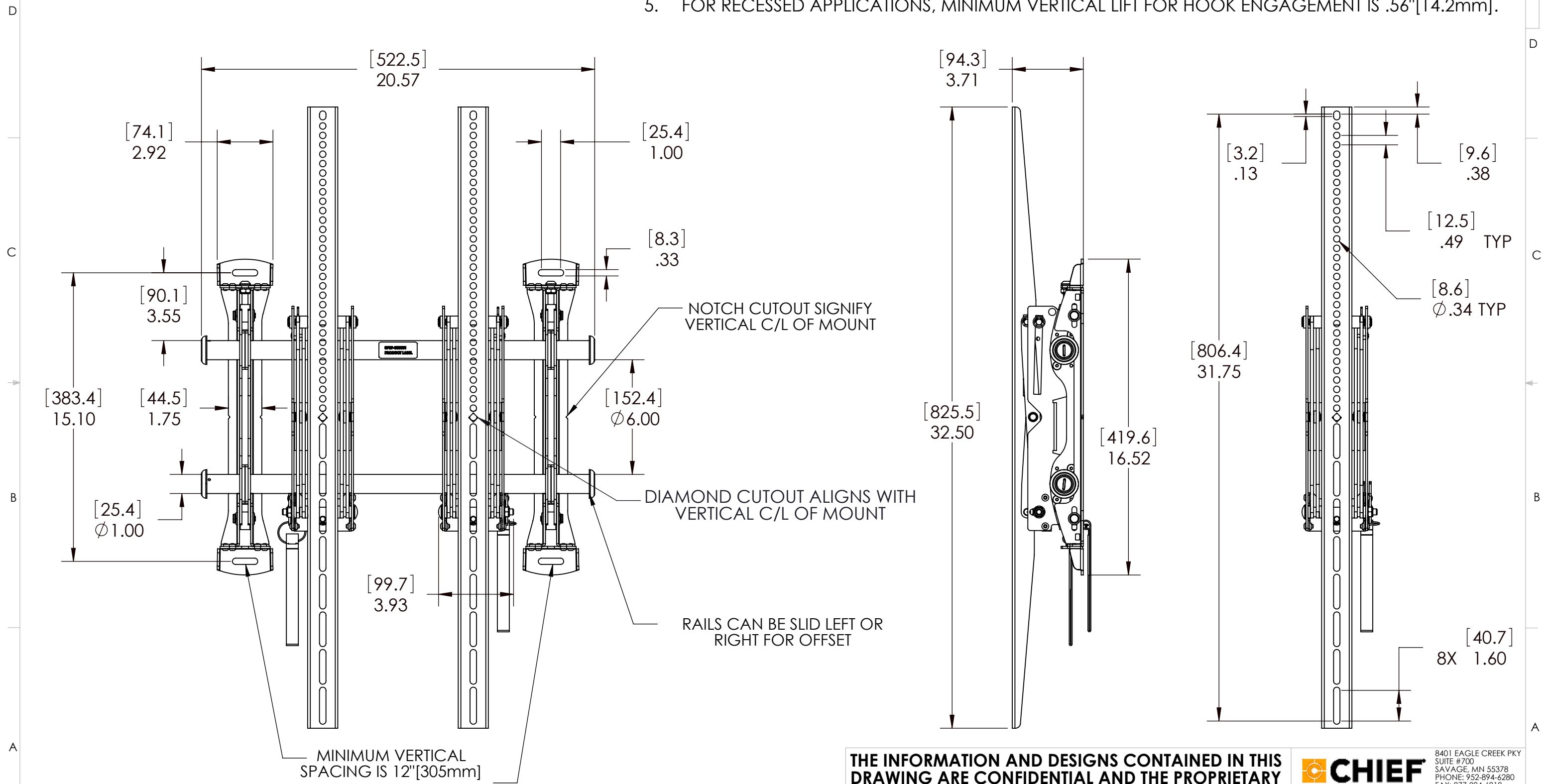


1. MAXIMUM MOUNTING PATTERN WIDTH IS 16.43"[410mm].
2. MINIMUM MOUNTING PATTERN WIDTH IS 3.94"[100mm].
3. MOUNT IS 3.71"[94.3mm] DEEP WHEN FLAT TO WALL.
4. EXTENSION DISTANCE IS 7.0"[177.8mm] WITH A MAXIMUM EXTENSION FROM WALL OF 10.7"[272mm].
5. FOR RECESSED APPLICATIONS, MINIMUM VERTICAL LIFT FOR HOOK ENGAGEMENT IS .56"[14.2mm].



CHIEF MANUFACTURING INC.
 PRODUCT ORDER NUMBER IS: LSMVPU
 PHONE: 1-800-582-6480

SHEET SCALE = 1:5

THE INFORMATION AND DESIGNS CONTAINED IN THIS DRAWING ARE CONFIDENTIAL AND THE PROPRIETARY PROPERTY OF MILESTONE AV TECHNOLOGIES NEITHER THIS DESIGN NOR ANY INFORMATION CONTAINED IN THIS DRAWING MAY BE REPRODUCED OR DISCLOSED TO OTHERS WITHOUT THE EXPRESS WRITTEN CONSENT OF MILESTONE AV TECHNOLOGIES.



8401 EAGLE CREEK PKY
 SUITE #700
 SAVAGE, MN 55378
 PHONE: 952-894-6280
 FAX: 877-894-6918

TITLE
**CUSTOMER PRINT
 LSMVPU**

SIZE DWG. NO.
B LSMVPU