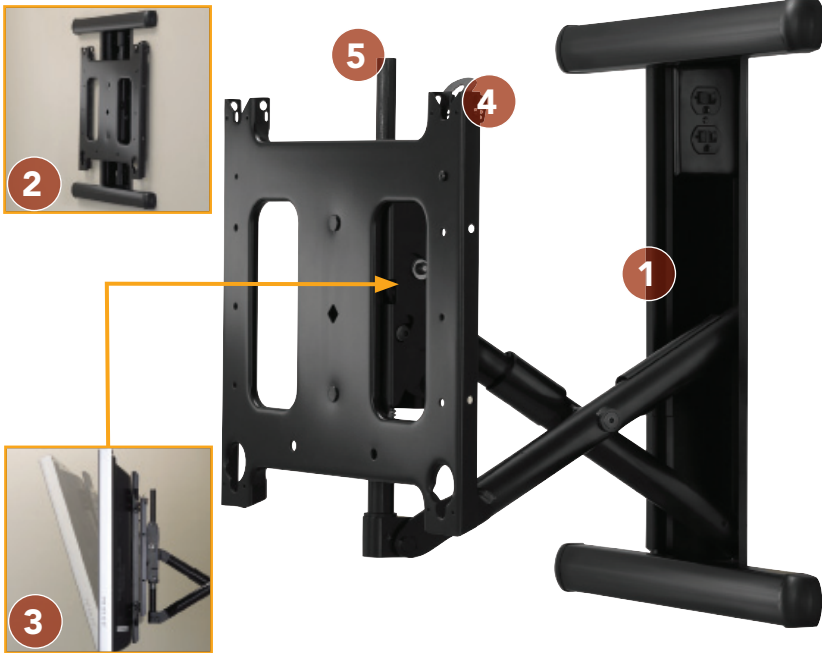




IN-WALL MOUNTS PIWRF™ □ IN-WALL SWING ARM

42-71" Flat Panels



FEATURES

- 1 LIMITLESS CENTERING**
Center flat panel at any position on wall between 16" center studs without cutting studs. No header/footer necessary!
- 2 LOW PROFILE**
Designed to ensure mount remains concealed behind the screen.
- 3 CENTRIS® FINGERTIP TILT**
Low-profile design uses the center of gravity to achieve smooth fingertip tilt. Screen angle stays set until you decide to readjust.
- 4 Q-LATCH® MOUNTING SYSTEM**
Flat panel secures to mount with a latching flag. Easy to connect/disconnect without tools!
- 5 HEIGHT ADJUSTMENT**
Adjust height up to 1" (25 mm) after mount is installed for ultimate flexibility.

WHAT YOU NEED TO KNOW

ORDERING INFORMATION

The PIWRF kit includes in-wall box with integrated swing arm – no other parts necessary. Available in universal or custom:

- **UNIVERSAL:** Order PIWRFUB
- **CUSTOM:** Order PIWRF2000B + PSBxxxx
See MountFinder™ PRO on www.chiefmfg.com for custom PSB model numbers.

For 30 - 50" screens see MIWRF™ on page 46.

SPECIFICATIONS

Roll	±2°
Tilt	-15°, +2°
Swivel	40° Left/Right
Extension	15" (381 mm)
Height Adjust	±1" (25 mm)
Dimensions* (HxWxD)	22.82" x 20.34" x 5.54" (580 x 518 x 142 mm)
Color	Black
Weight Capacity	200 lbs (90.7 kg)

* Dimensions don't include interface bracket

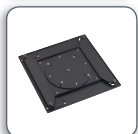
RECOMMENDED ACCESSORIES



PACCC1 ■ Center Channel Speaker Adapter



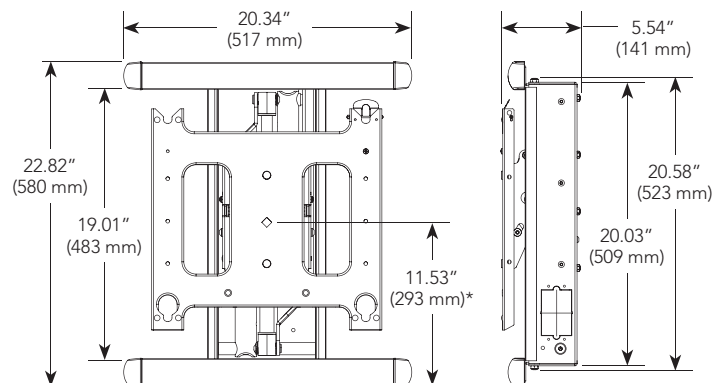
PACLR1 ■ Left/Right Speaker Adapter



PAC400 ■ 90° Rotation Adapter

For a complete list of flat panel mount accessories see page 83.

TECHNICAL DRAWINGS



*Allows ±1" height adjustment