

1 2 3 4 5 6 7 8

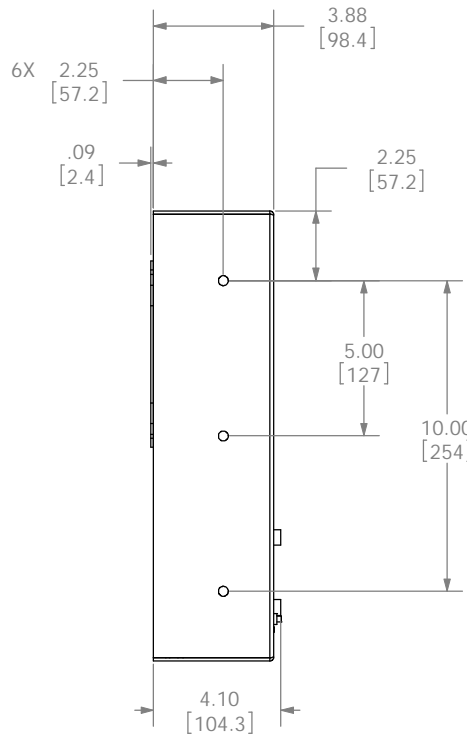
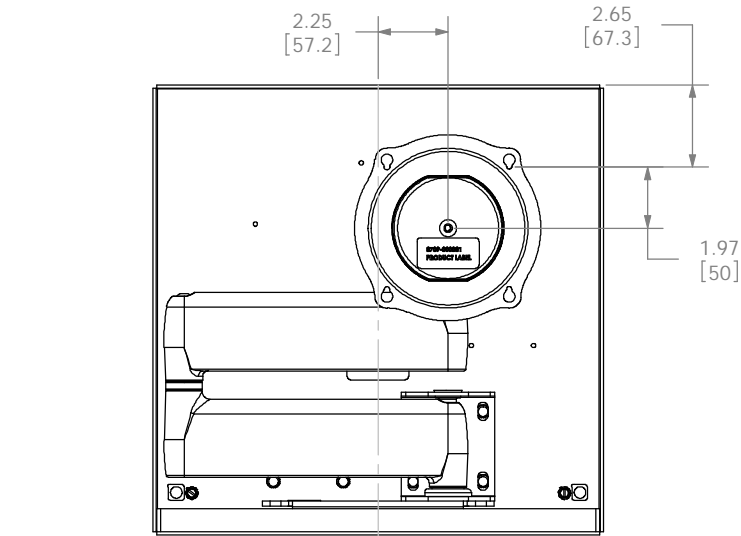
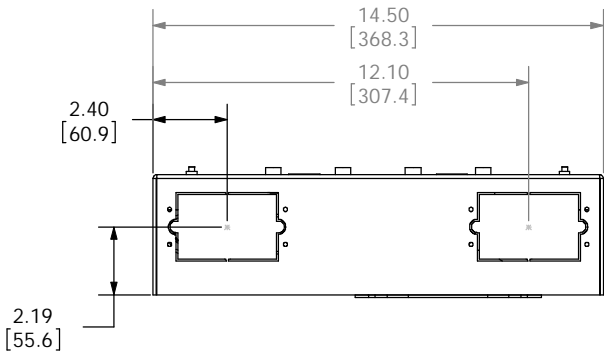
MAC-501

D

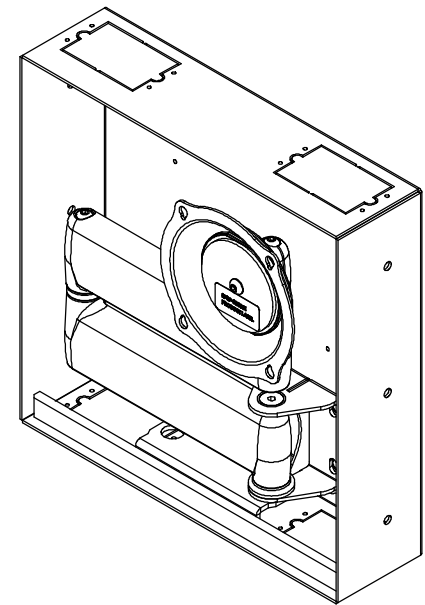
C

B

A



NOTE: ELECTRICAL CUTOUTS  
DESIGNED TO FIT A SINGLE GANG  
RACO 590 STEEL CITY CY 1/2 OR  
SIMILAR STYLE ELECTRICAL BOX



JWDIW SHOWN INSTALLED FOR CLARITY  
JWDIW MUST BE PURCHASED SEPARATELY



CHIEF MANUFACTURING INC.  
MOUNT ORDER NUMBER IS MAC-501  
PHONE: 1-800-582-6480

SHEET SCALE = 1:4

THE INFORMATION AND DESIGNS CONTAINED  
IN THIS DRAWING ARE CONFIDENTIAL AND THE  
PROPRIETARY PROPERTY OF CHIEF MFG., INC.  
NEITHER THIS DESIGN NOR ANY INFORMATION  
CONTAINED IN THIS DRAWING MAY BE  
REPRODUCED OR DISCLOSED TO OTHERS  
WITHOUT THE EXPRESS WRITTEN CONSENT OF  
CHIEF MFG., INC.



8401 EAGLE CREEK PKY  
SUITE #700  
SAVAGE, MN 55378  
PHONE: 952-894-6280  
FAX: 877-694-6918

TITLE  
CUSTOMER PRINT  
MAC-501

SIZE DWG. NO.  
B MAC-501

1 2 3 4 5 6 7 8