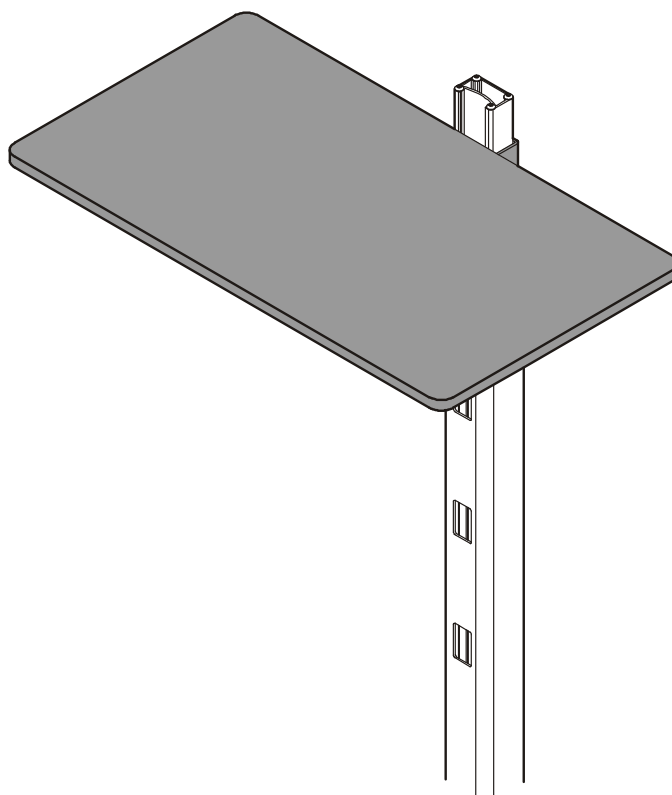


---

# INSTALLATION INSTRUCTIONS

---



---

**Music Stand Table Top**

---

### DISCLAIMER

Milestone AV Technologies and its affiliated corporations and subsidiaries (collectively "Milestone"), intend to make this manual accurate and complete. However, Milestone makes no claim that the information contained herein covers all details, conditions or variations, nor does it provide for every possible contingency in connection with the installation or use of this product. The information contained in this document is subject to change without notice or obligation of any kind. Milestone makes no representation of warranty, expressed or implied, regarding the information contained herein. Milestone assumes no responsibility for accuracy, completeness or sufficiency of the information contained in this document.

Chief® and Centris® are registered trademarks of Milestone AV Technologies. All rights reserved.

### ! IMPORTANT WARNINGS AND CAUTIONS!

**! WARNING:** A WARNING alerts you to the possibility of serious injury or death if you do not follow the instructions.

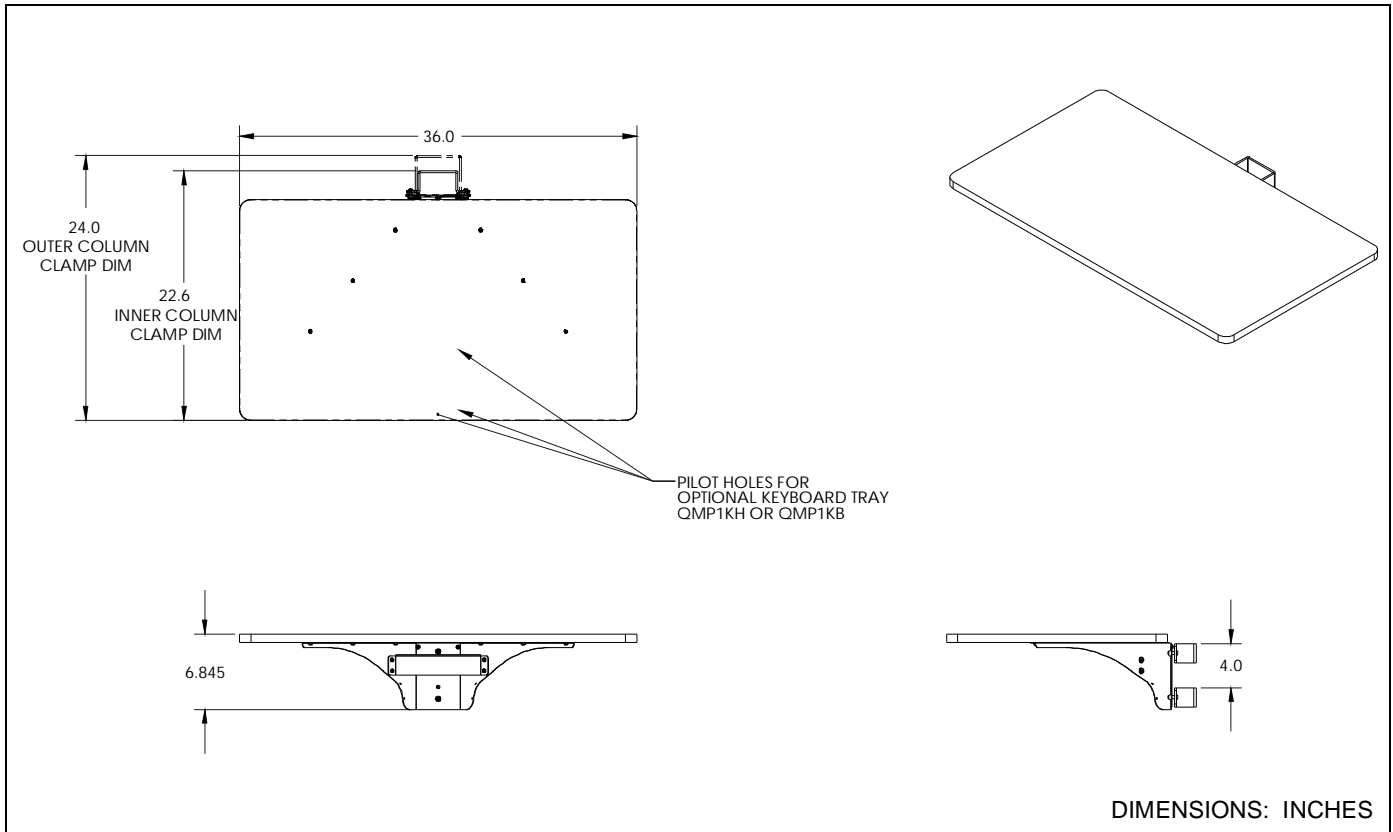
**! CAUTION:** A CAUTION alerts you to the possibility of damage or destruction of equipment if you do not follow the corresponding instructions.

**! WARNING:** Failure to read, thoroughly understand, and follow all instructions can result in serious personal injury, damage to equipment, or voiding of factory warranty! It is the installer's responsibility to make sure all components are properly assembled and installed using the instructions provided.

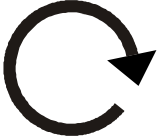

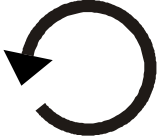

**! WARNING:** Failure to provide adequate structural strength for this component can result in serious personal injury or damage to equipment! It is the installer's responsibility to make sure the structure to which this component is attached can support five times the combined weight of all equipment. Reinforce the structure as required before installing the component.

**! WARNING:** Exceeding the weight capacity can result in serious personal injury or damage to equipment! It is the installer's responsibility to make sure the combined weight of all components attached to the QMP1T does not exceed 50 lbs (22.7 kg). Use with products heavier than the maximum weight indicated may result in collapse of the mount and its accessories causing possible injury.

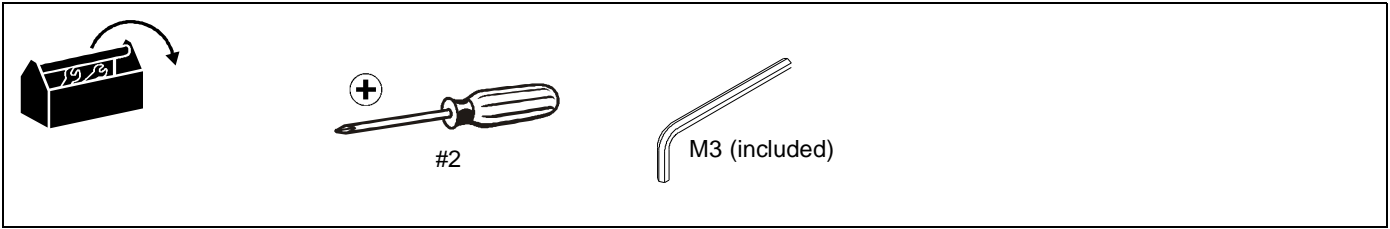
### DIMENSIONS



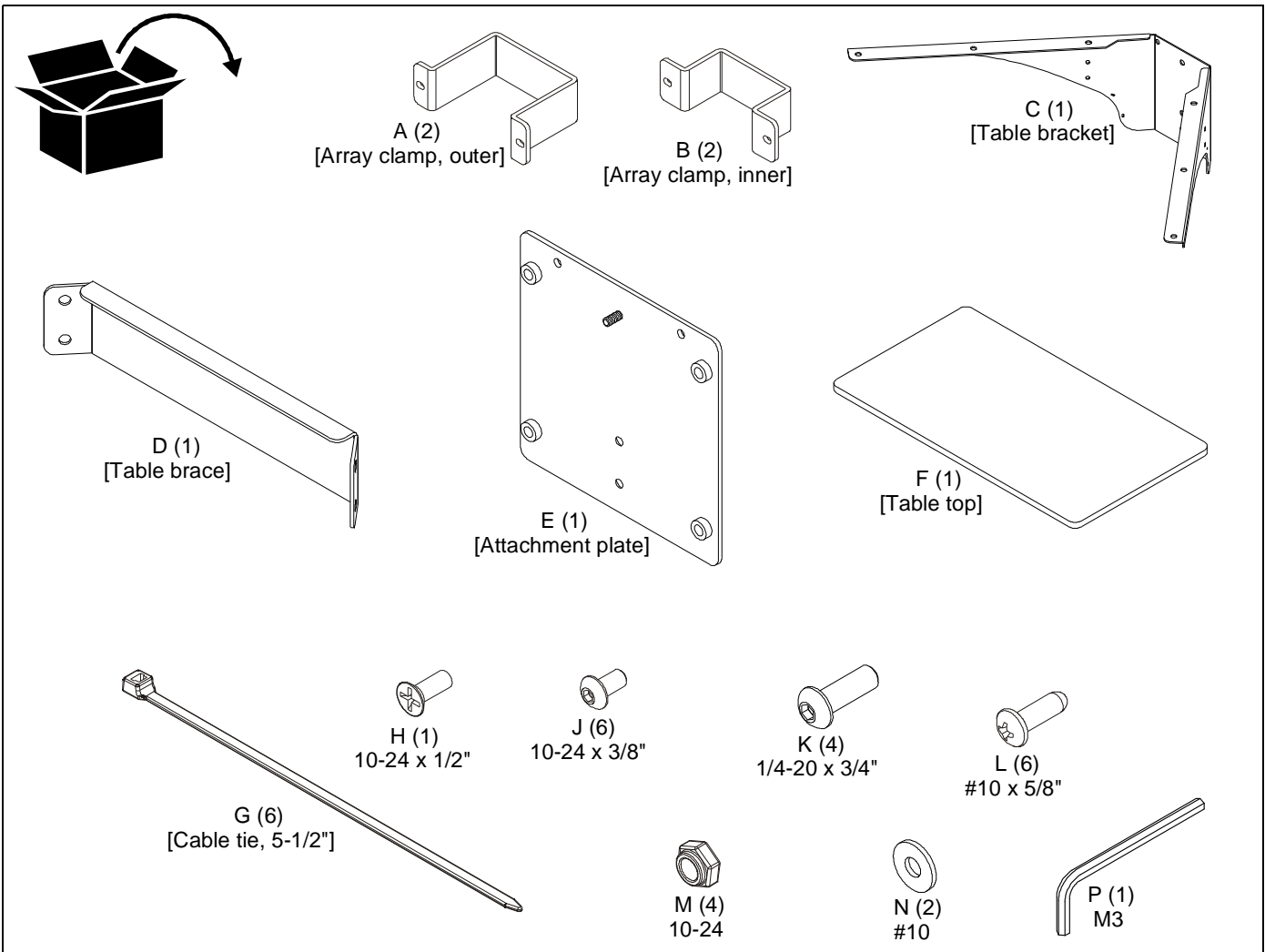
**LEGEND**

	<b>Tighten Fastener</b>		<b>Phillips Screwdriver</b>
	Apretar elemento de fijación		Destornillador Phillips
	Befestigungsteil festziehen		Kreuzschlitzschraubendreher
	Apertar fixador		Chave de fendas Phillips
	Serrare il fissaggio		Cacciavite a stella
	Bevestiging vastdraaien		Kruiskopschroevendraaier
Serrez les fixations	Tournevis à pointe cruciforme		
	<b>Loosen Fastener</b>		<b>Hex-Head Wrench</b>
	Aflojar elemento de fijación		Llave de cabeza hexagonal
	Befestigungsteil lösen		Sechskantschlüssel
	Desapertar fixador		Chave de cabeça sextavada
	Allentare il fissaggio		Chiave esagonale
	Bevestiging losdraaien		Zeskantsleutel
Desserrez les fixations	Clé à tête hexagonale		

**TOOLS REQUIRED FOR INSTALLATION**



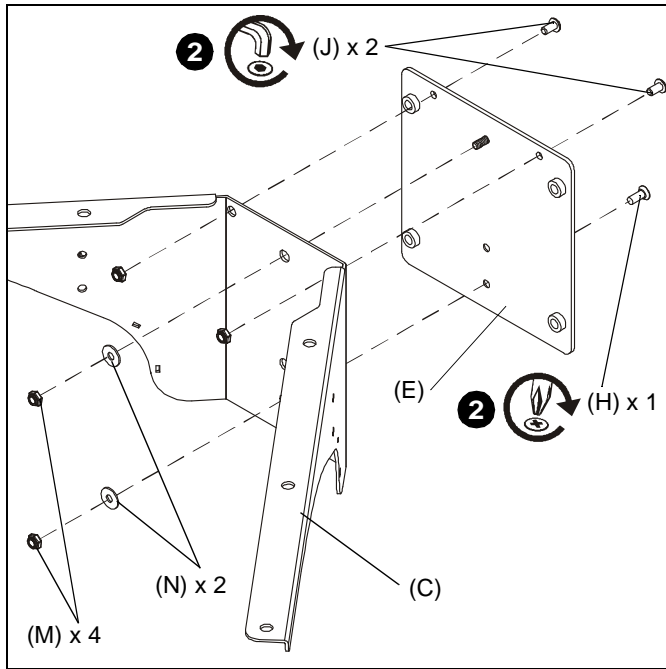
**PARTS**



**ASSEMBLY**

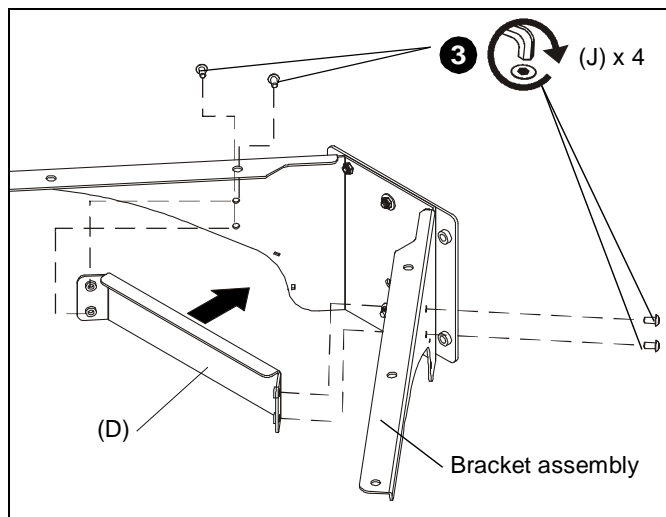
The QMP1T is designed to be attached to the Chief QMP1FB fixed music stand or the QMB1MB mobile music cart.

1. Attach column to cart/stand base (not included) following instructions included with cart/stand (not included).
2. Attach table bracket (C) to attachment plate (E) using one 10-24 x 1/2" Phillips undercut machine screw (H), two 10-24 x 3/8" button head cap screws (J), two #10 flat washers (N), and four 10-24 nylon lock nuts (M). (See Figure 1)



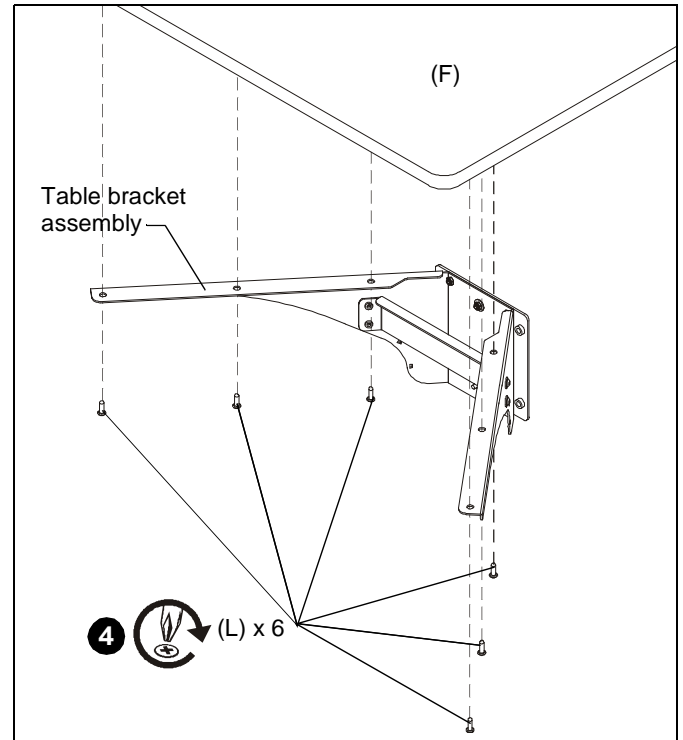
**Figure 1**

3. Fasten table brace (D) to bracket assembly using four 10-24 x 3/8" button head cap screws (J). (See Figure 2)



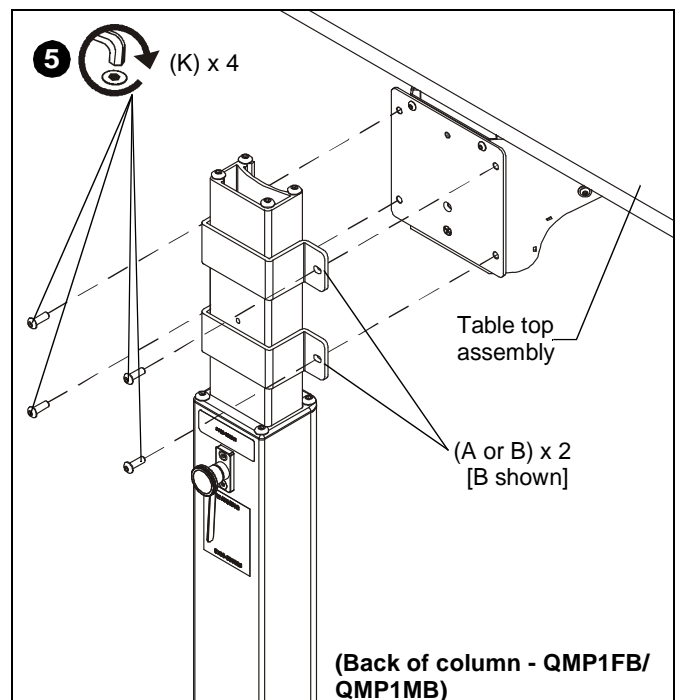
**Figure 2**

4. Fasten the table top (F) to the table bracket assembly using six #10 x 5/8" Phillips wood screws (L). (See Figure 3)



**Figure 3**

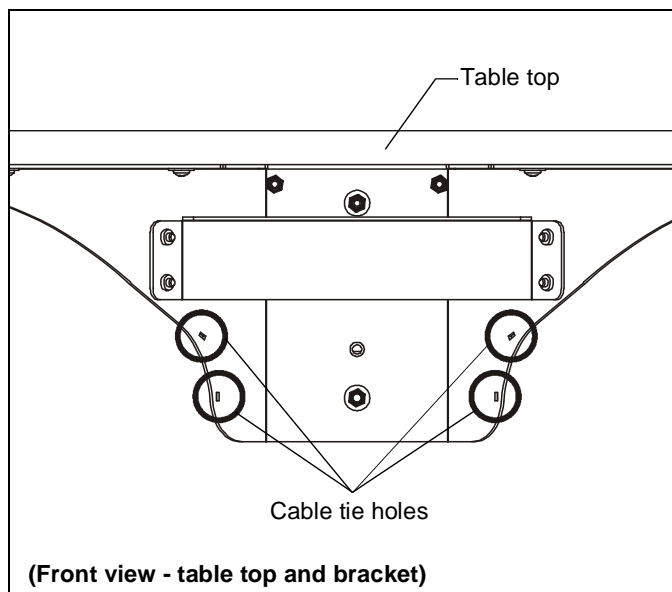
5. Fasten the table top assembly to the cart/stand using four 1/4-20 x 3/4" button head cap screws (K) through two array clamps-inner (B) or two array clamps-outer (A). (See Figure 5)



**Figure 4**

## Cable Management

**NOTE:** There are four cable tie holes in the table bracket.  
Cable ties (G) may be added for cable management of keyboard cables, mouse cables and other miscellaneous cables. (See Figure 5)



**Figure 5**





Chief Manufacturing, a products division  
of Milestone AV Technologies

8832-002049 Rev00  
©2011 Milestone AV Technologies, a  
Duchossois Group Company  
[www.chiefmfg.com](http://www.chiefmfg.com)  
1/11

<b>USA/International</b>	<b>A</b> 8401 Eagle Creek Parkway, Savage, MN 55378 <b>P</b> 800.582.6480 / 952.894.6280 <b>F</b> 877.894.6918 / 952.894.6918
<b>Europe</b>	<b>A</b> Fellenoord 130 5611 ZB EINDHOVEN, The Netherlands <b>P</b> +31 (0)40 2668620 <b>F</b> +31 (0)40 2668615
<b>Asia Pacific</b>	<b>A</b> Office No. 1 on 12/F, Shatin Galleria 18-24 Shan Mei Street Fotan, Shatin, Hong Kong <b>P</b> 852 2145 4099 <b>F</b> 852 2145 4477

