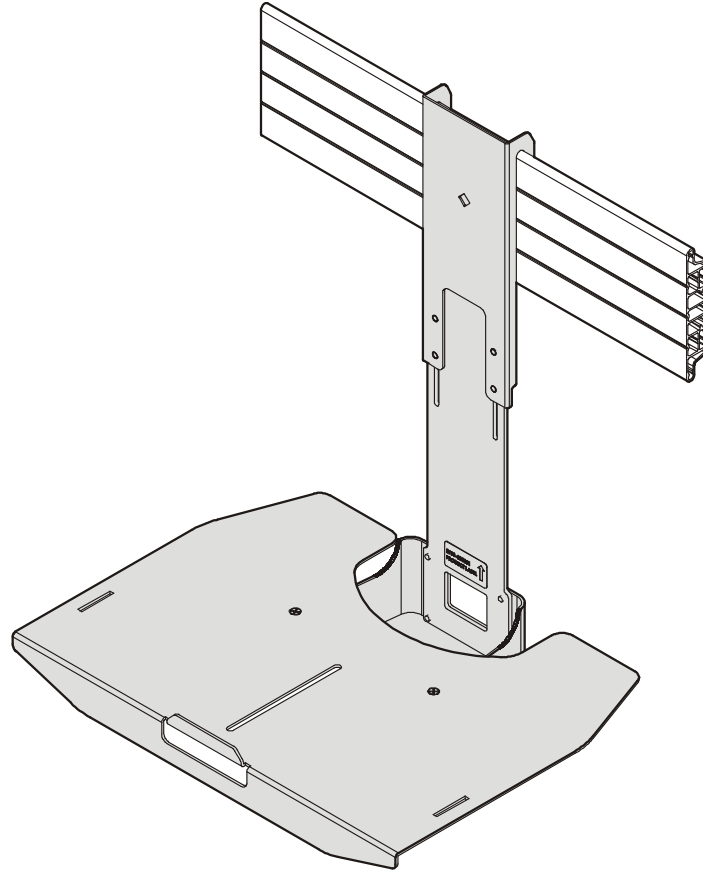


# INSTALLATION INSTRUCTIONS



---

**Lower Video Shelf**

---

## DISCLAIMER

Milestone AV Technologies and its affiliated corporations and subsidiaries (collectively "Milestone"), intend to make this manual accurate and complete. However, Milestone makes no claim that the information contained herein covers all details, conditions or variations, nor does it provide for every possible contingency in connection with the installation or use of this product. The information contained in this document is subject to change without notice or obligation of any kind. Milestone makes no representation of warranty, expressed or implied, regarding the information contained herein. Milestone assumes no responsibility for accuracy, completeness or sufficiency of the information contained in this document.

Chief® is a registered trademark of Milestone AV Technologies. All rights reserved.

## IMPORTANT SAFETY INSTRUCTIONS

**WARNING:** A WARNING alerts you to the possibility of serious injury or death if you do not follow the instructions.

**CAUTION:** A CAUTION alerts you to the possibility of damage or destruction of equipment if you do not follow the corresponding instructions.

**WARNING:** Failure to read, thoroughly understand, and follow all instructions can result in serious personal injury, damage to equipment, or voiding of factory warranty! It is the installer's responsibility to make sure all components are properly assembled and installed using the instructions provided.

**WARNING:** Exceeding the weight capacity can result in serious personal injury or damage to equipment! It is the installer's responsibility to make sure the combined weight of all components placed on the FCA500 does not exceed 10 lbs (4.5 kg).

**WARNING:** Use this mounting system only for its intended use as described in these instructions. Do not use attachments not recommended by the manufacturer.

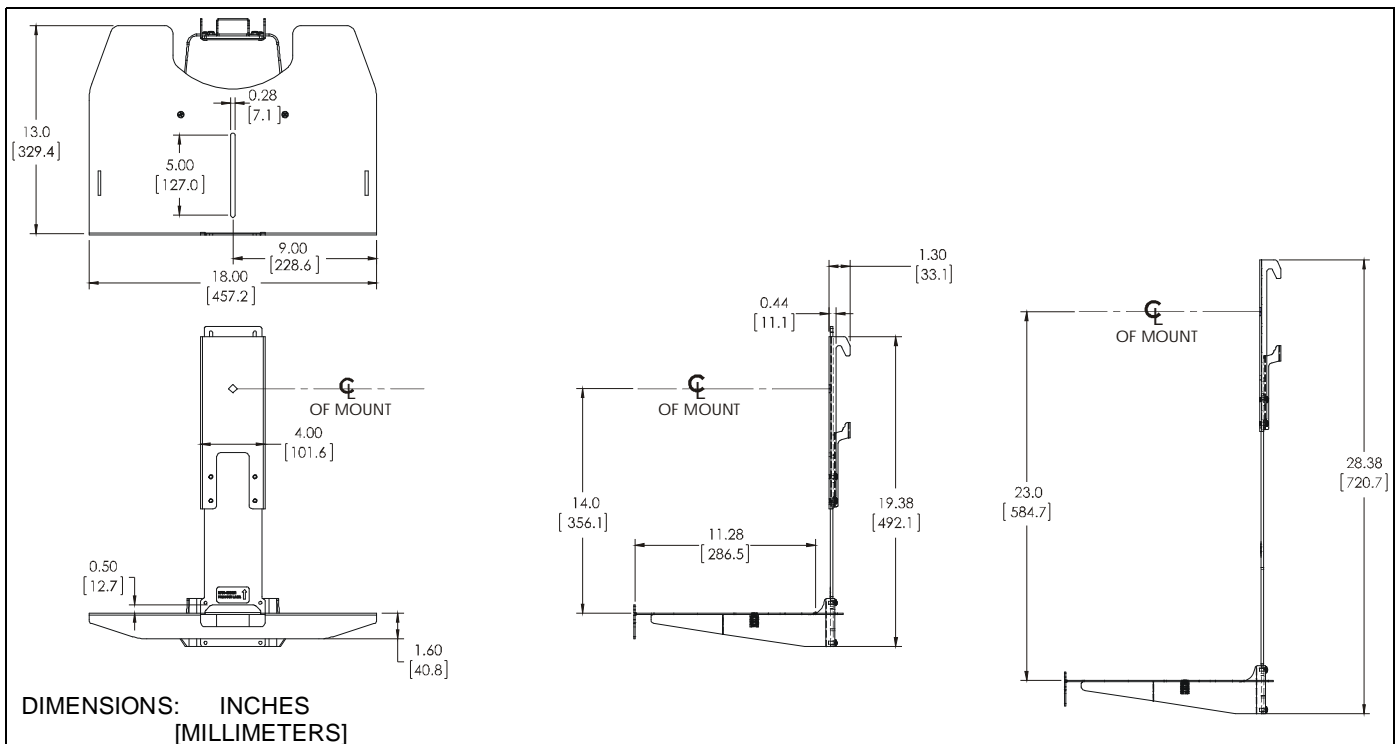
**WARNING:** Never operate this mounting system if it is damaged. Return the mounting system to a service center for examination and repair.

**WARNING:** Do not use this product outdoors.

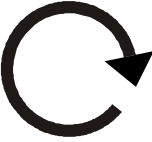

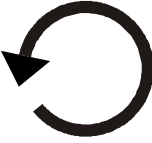

**WARNING:** RISK OF INJURY TO PERSONS! Do not use this mounting system to support video equipment such as televisions or computer monitors.

**--SAVE THESE INSTRUCTIONS--**

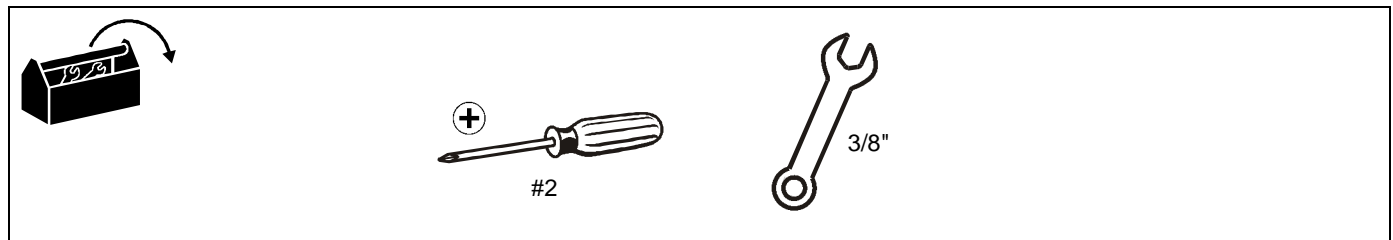
## DIMENSIONS



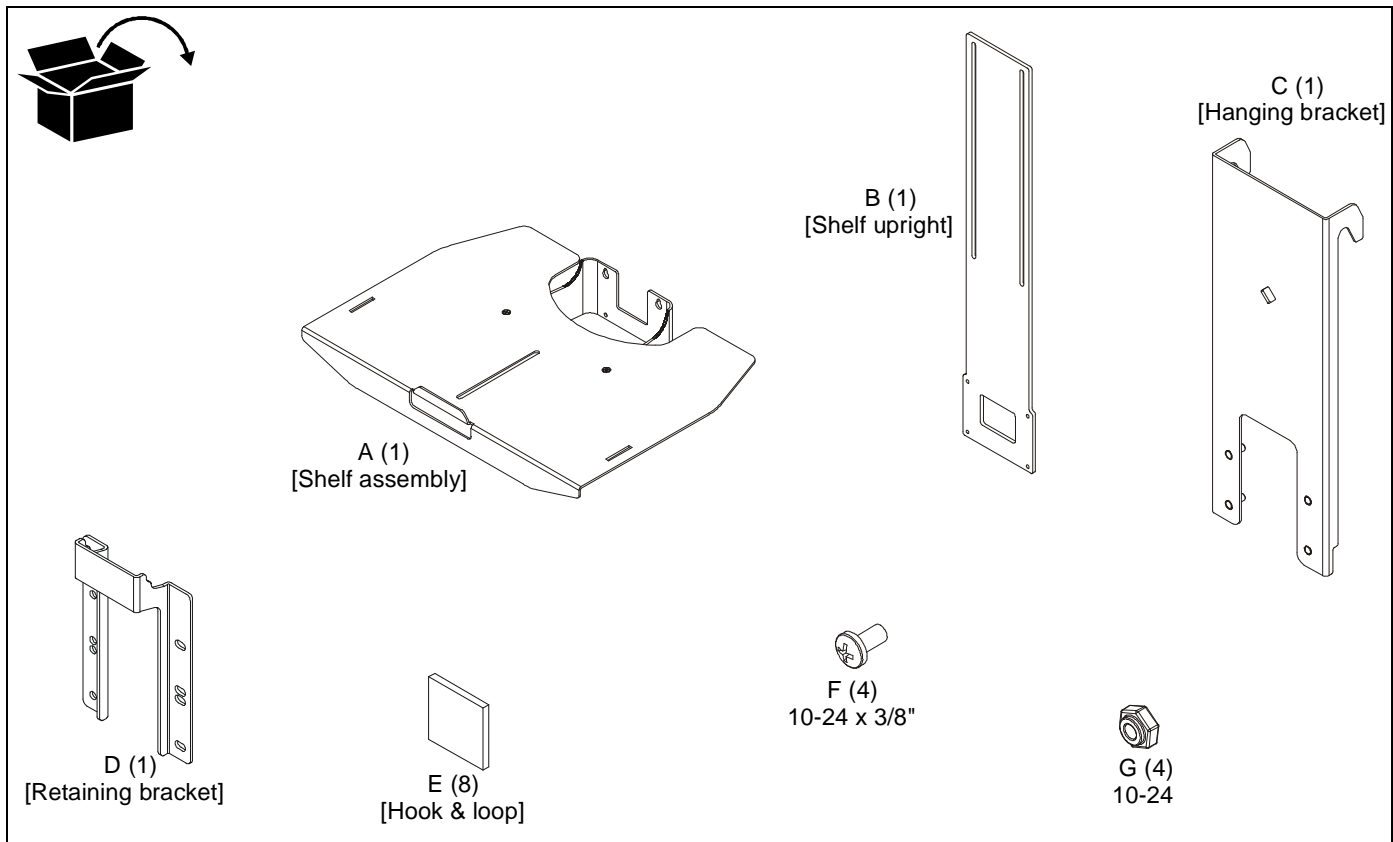
**LEGEND**

	<b>Tighten Fastener</b>		<b>Open-Ended Wrench</b>
	Apretar elemento de fijación		Llave de boca
	Befestigungsteil festziehen		Gabelschlüssel
	Apertar fixador		Chave de bocas
	Serrare il fissaggio		Chiave a punte aperte
	Bevestiging vastdraaien		Steeksleutel
Serrez les fixations	Clé à fourche		
	<b>Loosen Fastener</b>		<b>Phillips Screwdriver</b>
	Aflojar elemento de fijación		Destornillador Phillips
	Befestigungsteil lösen		Kreuzschlitzschraubendreher
	Desapertar fixador		Chave de fendas Phillips
	Allentare il fissaggio		Cacciavite a stella
	Bevestiging losdraaien		Kruiskopschroevendraaier
Desserrez les fixations	Tournevis à pointe cruciforme		

**TOOLS REQUIRED FOR INSTALLATION**



**PARTS**



## ASSEMBLY AND INSTALLATION

### Attaching Bracket and Upright to Mount

1. Lower hanging bracket (C) onto mount rail, placing hooks over mount rail. (See Figure 1)

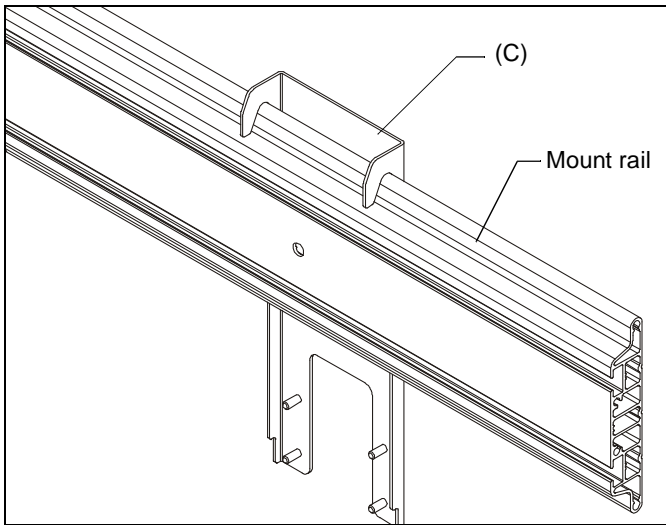


Figure 1

2. Hang shelf upright (B) onto the hanging bracket (C), placing studs on hanging bracket into slots on shelf upright. (See Figure 2)

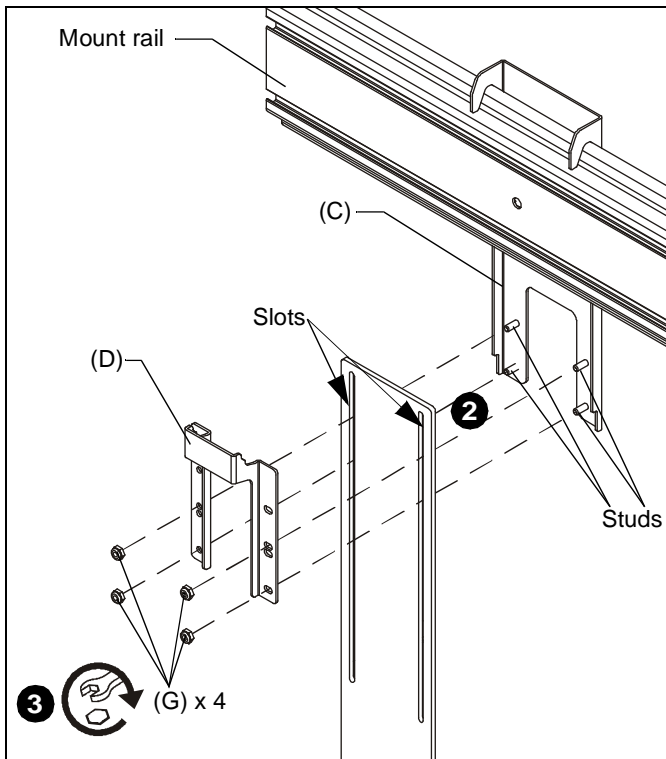


Figure 2

3. Attach retaining bracket (D) to shelf upright, pressing retaining bracket against mount rail and tightening, using four 10-24 lock nuts (G). (See Figure 2)

### Assembling Shelf to Upright

1. Partially install two 10-24 x 3/8" Phillips pan head screws (F) into the top two holes on shelf upright (B). (See Figure 3)
2. Raise shelf assembly (A) up to hang it on two screws inserted in Step 1. (See Figure 3)

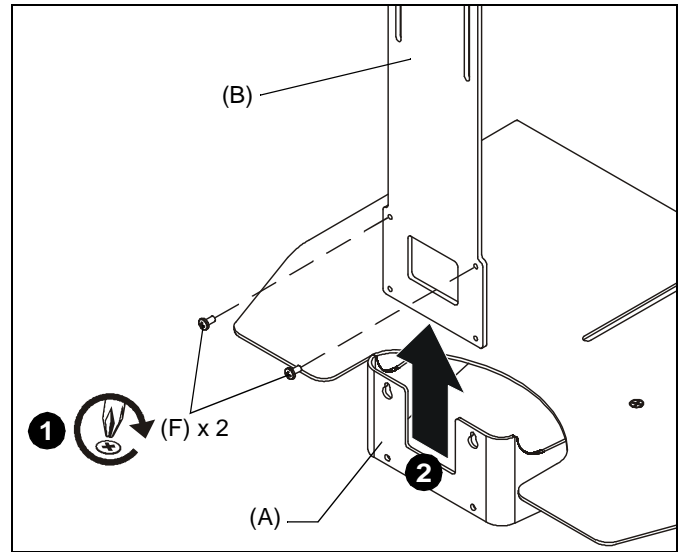


Figure 3

3. Fasten two 10-24 x 3/8" Phillips pan head screws (F) into the lower holes of shelf assembly (A). (See Figure 4)

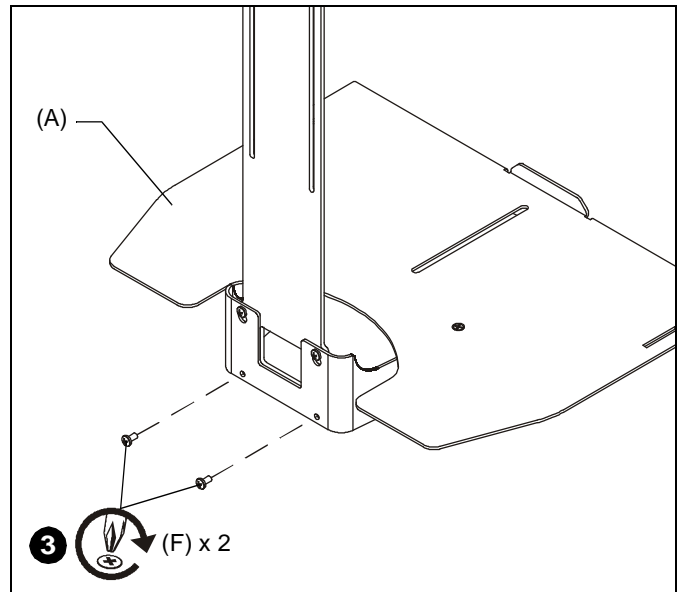
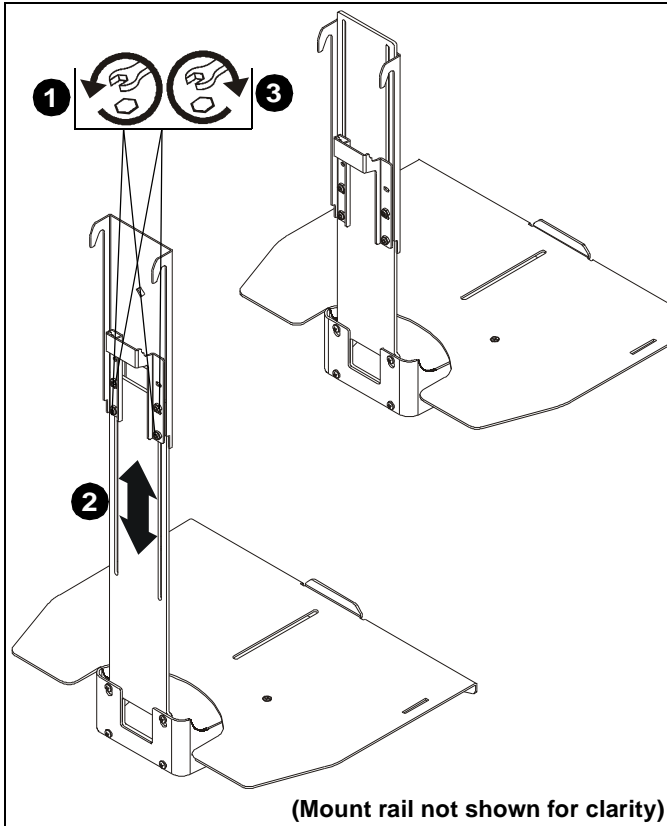


Figure 4

4. Tighten two upper screws inserted in Step 1.

**Adjustments**

1. Loosen two nuts on each side of retaining bracket. (See Figure 5)
2. Adjust height of shelf, as necessary.
3. Tighten four nuts on retaining bracket.



**Figure 5**

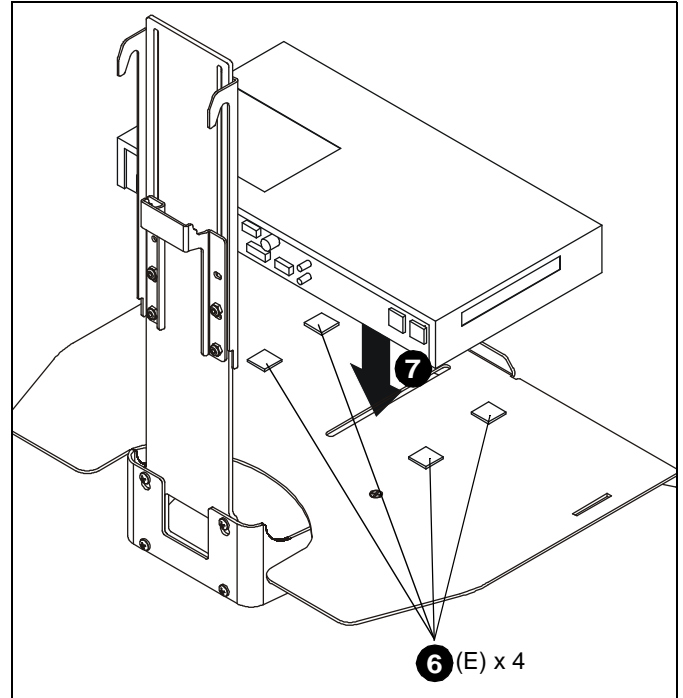
**Installing Components**



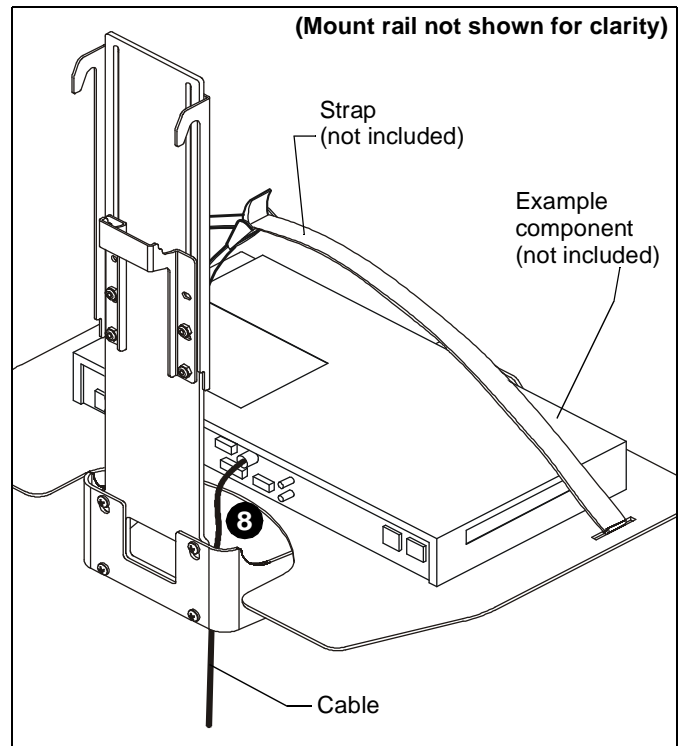
**WARNING:** Exceeding the weight capacity can result in serious personal injury or damage to equipment! It is the installer's responsibility to make sure the combined weight of all components located on the FCA500 does not exceed 10 lbs (4.5 kg).

4. Put hook and loop squares (E) together to form four squares.
5. Remove paper from one side of each square.
6. Attach hook and loop squares to shelf. (See Figure 6)
7. Remove paper from hook and loop squares and place component on shelf, pressing it against hook and loop squares. (See Figure 6)
8. Route cable from component (not included) towards back of shelf and down behind the FCA500. (See Figure 7)

**NOTE: OPTIONAL:** Slots are provided in shelf for strap (not included) to hold component in place. (See Figure 7)



**Figure 6**



**Figure 7**







Our Mounts. **Your Vision.**

Chief Manufacturing, a products division  
of Milestone AV Technologies

8800-002267 Rev00  
©2012 Milestone AV Technologies,  
a Duchossois Group Company  
[www.chiefmfg.com](http://www.chiefmfg.com)  
11/12

<b>USA/International</b>	<b>A</b> 6436 City West Parkway, Eden Prairie, MN 55344 <b>P</b> 800.582.6480 / 952.225.6000 <b>F</b> 877.894.6918 / 952.894.6918
<b>Europe</b>	<b>A</b> Franklinstraat 14, 6003 DK Weert, Netherlands <b>P</b> +31 (0) 495 580 852 <b>F</b> +31 (0) 495 580 845
<b>Asia Pacific</b>	<b>A</b> Office No. 1 on 12/F, Shatin Galleria 18-24 Shan Mei Street Fotan, Shatin, Hong Kong <b>P</b> 852 2145 4099 <b>F</b> 852 2145 4477

