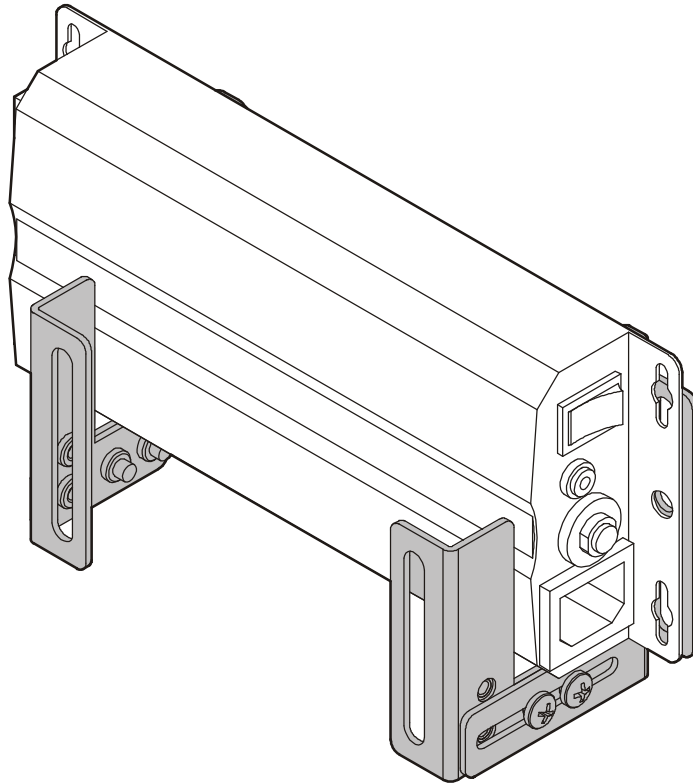

INSTALLATION INSTRUCTIONS



Universal Clamp Accessory

DISCLAIMER

Milestone AV Technologies and its affiliated corporations and subsidiaries (collectively "Milestone"), intend to make this manual accurate and complete. However, Milestone makes no claim that the information contained herein covers all details, conditions or variations, nor does it provide for every possible contingency in connection with the installation or use of this product. The information contained in this document is subject to change without notice or obligation of any kind. Milestone makes no representation of warranty, expressed or implied, regarding the information contained herein. Milestone assumes no responsibility for accuracy, completeness or sufficiency of the information contained in this document.

Chief® is a registered trademark of Milestone AV Technologies. All rights reserved.

! IMPORTANT SAFETY INSTRUCTIONS

! WARNING: A WARNING alerts you to the possibility of serious injury or death if you do not follow the instructions.

! CAUTION: A CAUTION alerts you to the possibility of damage or destruction of equipment if you do not follow the corresponding instructions.

! WARNING: Failure to read, thoroughly understand, and follow all instructions can result in serious personal injury,

damage to equipment, or voiding of factory warranty! It is the installer's responsibility to make sure all components are properly assembled and installed using the instructions provided.

! WARNING: Exceeding the weight capacity can result in serious personal injury or damage to equipment! It is the installer's responsibility to make sure the combined weight of all components placed on the FCA520 does not exceed 10 lbs (13.6 kg).

! WARNING: Use this mounting system only for its intended use as described in these instructions. Do not use attachments not recommended by the manufacturer.

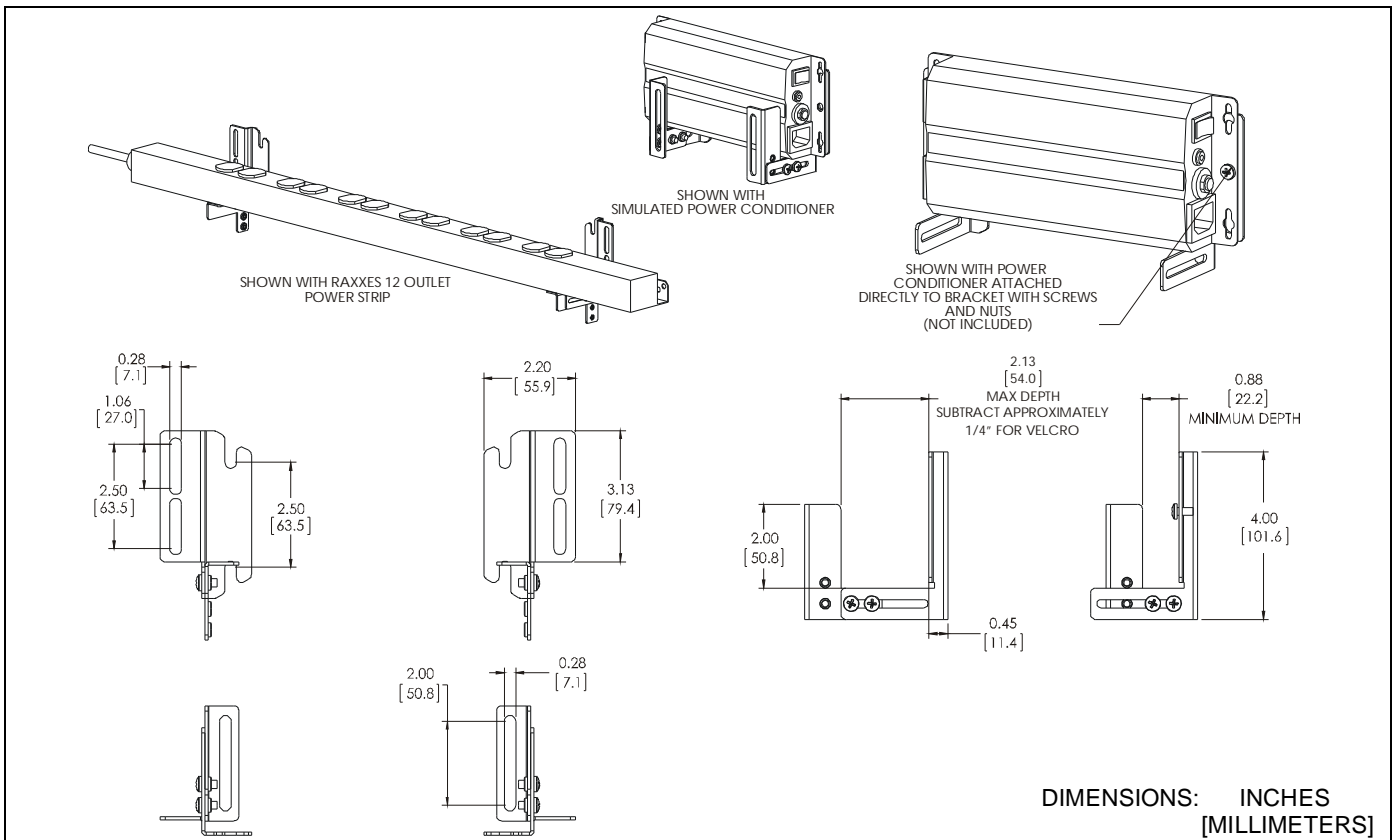
! WARNING: Never operate this mounting system if it is damaged. Return the mounting system to a service center for examination and repair.

! WARNING: Do not use this product outdoors.

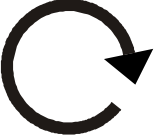


! WARNING: RISK OF INJURY TO PERSONS! Do not use this mounting system to support video equipment such as televisions or computer monitors.

--SAVE THESE INSTRUCTIONS--

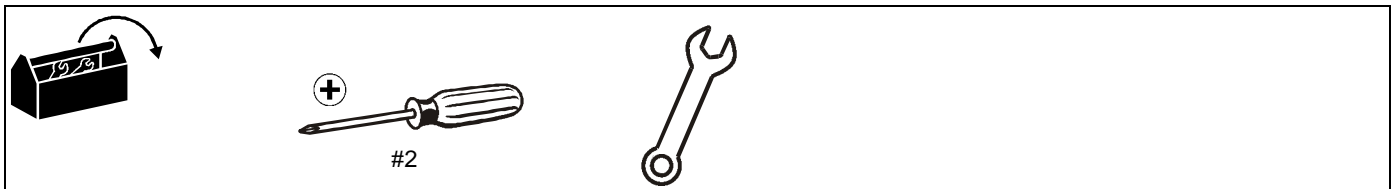
DIMENSIONS



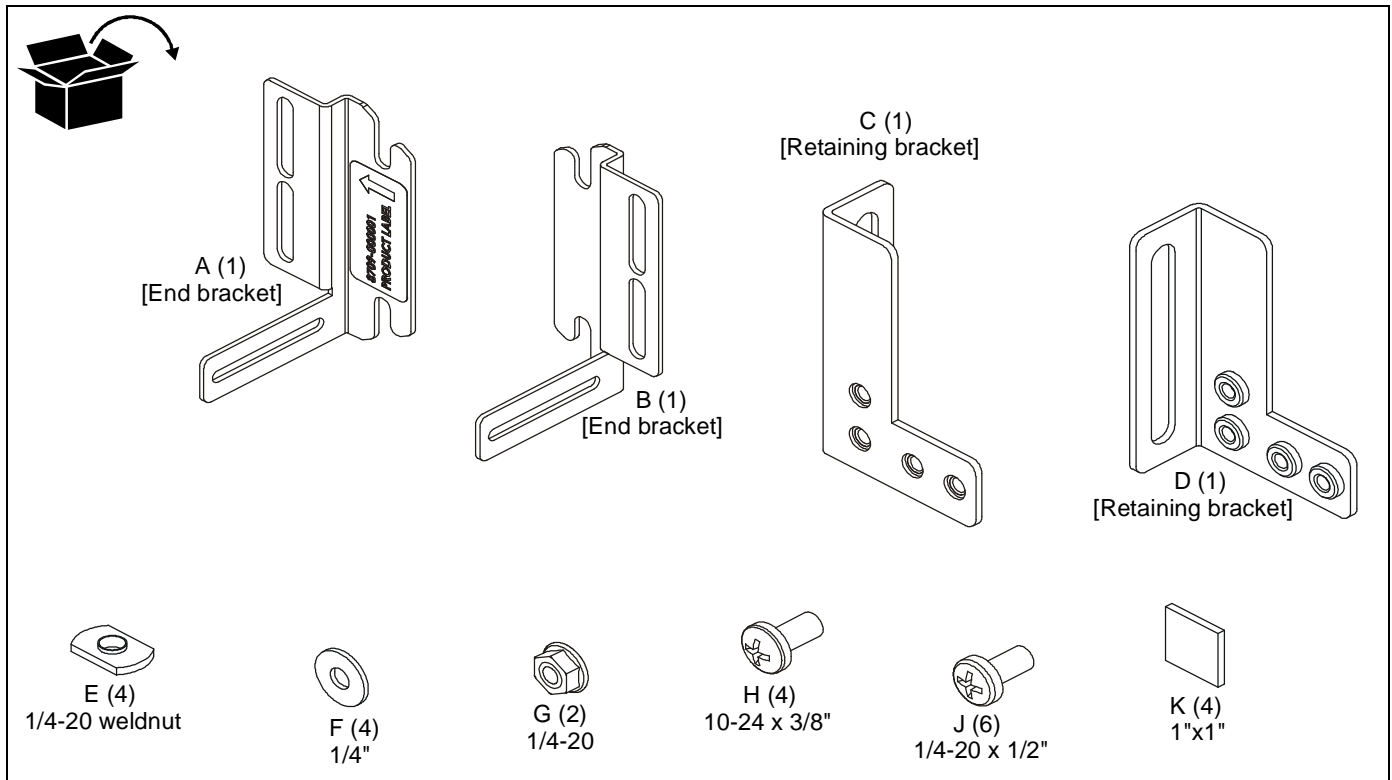
LEGEND

	Tighten Fastener		Phillips Screwdriver
	Apretar elemento de fijación		Destornillador Phillips
	Befestigungsteil festziehen		Kreuzschlitzschraubendreher
	Apertar fixador		Chave de fendas Phillips
	Serrare il fissaggio		Cacciavite a stella
	Bevestiging vastdraaien		Kruiskopschroevendraaier
Serrez les fixations	Tournevis à pointe cruciforme		
	Loosen Fastener		
	Aflojar elemento de fijación		
	Befestigungsteil lösen		
	Desapertar fixador		
	Allentare il fissaggio		
	Bevestiging losdraaien		
Desserrez les fixations			

TOOLS REQUIRED FOR INSTALLATION



PARTS



ASSEMBLY

NOTE: The FCA520 may be assembled in various configurations depending on size and configuration of component to be placed on the FCA520. The following guidelines should be used when determining desired configuration:

- Always use two fasteners when connecting end brackets (A, B) to retaining brackets (C, D). (See Examples 1 and 2)
 - May use two end brackets (A, B) without retaining brackets (C, D) ONLY if component can be attached directly to the end brackets with included hardware. (See Example 3)
 - Ensure that component is attached to brackets AT MINIMUM by using the hook and loop pieces (K).
1. Attach one retaining bracket (C) to one end bracket (A) using two 10-24 x 3/8" Phillips pan machine screws (H). (See Figure 1)
 2. Repeat Step 1 for remaining retaining bracket (D) and end bracket (B). (See Figure 1)

3. **OPTIONAL:** Attach component directly to end brackets (A, B) using screws and nuts (not included). (See Figure 2)

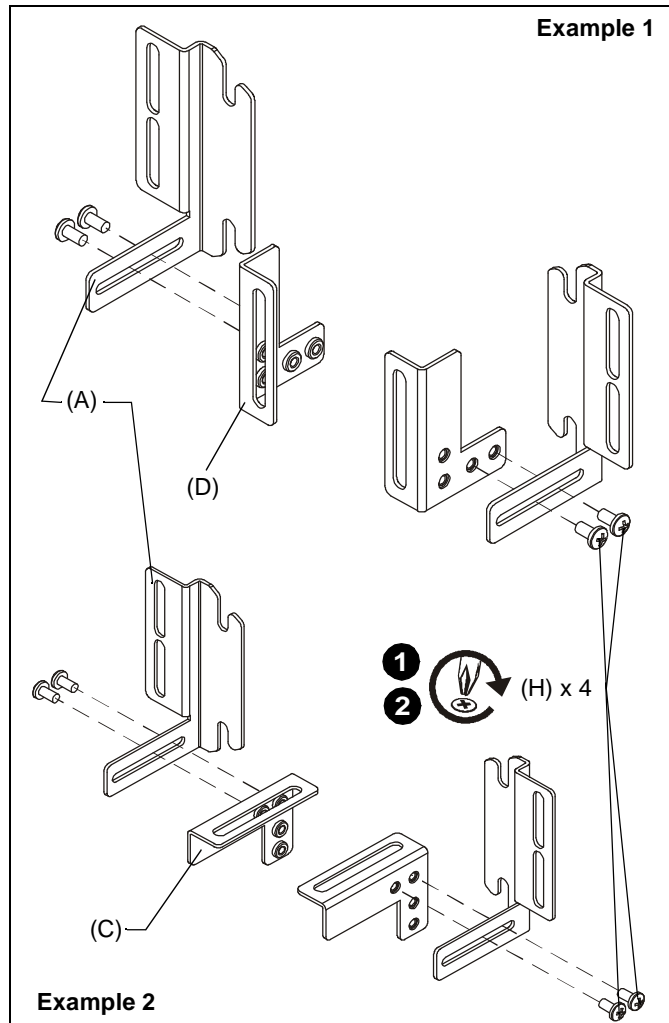


Figure 1

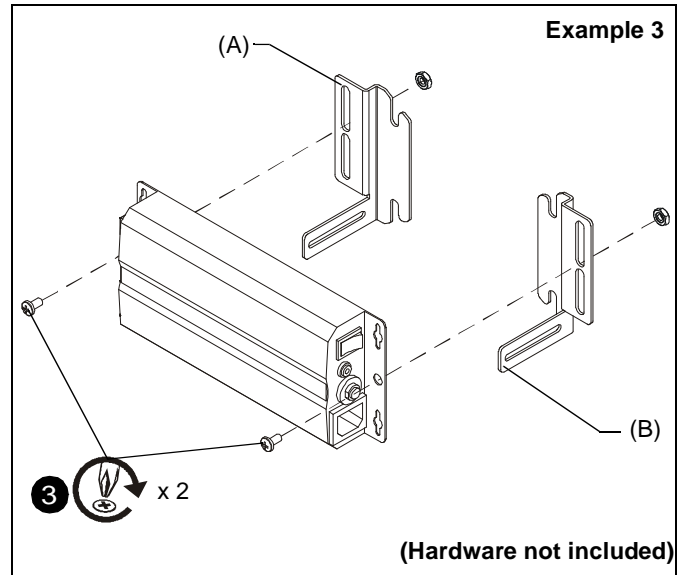


Figure 2

INSTALLATION

1. Insert four 1/4-20 weldnuts (E) into slot in mount extrusion. (See Figure 3)

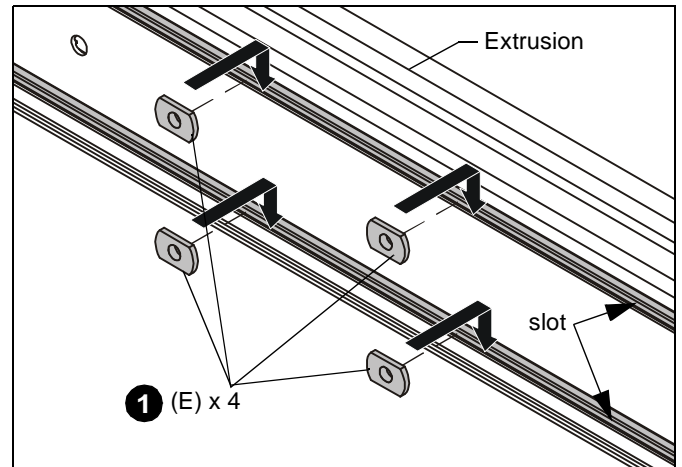


Figure 3

2. Attach configured brackets to weld nuts using four 1/4-20 x 1/2" Phillips pan head screw (J) and four 1/4" flat washers (F) into installed weldnuts (E). (See Figure 4)

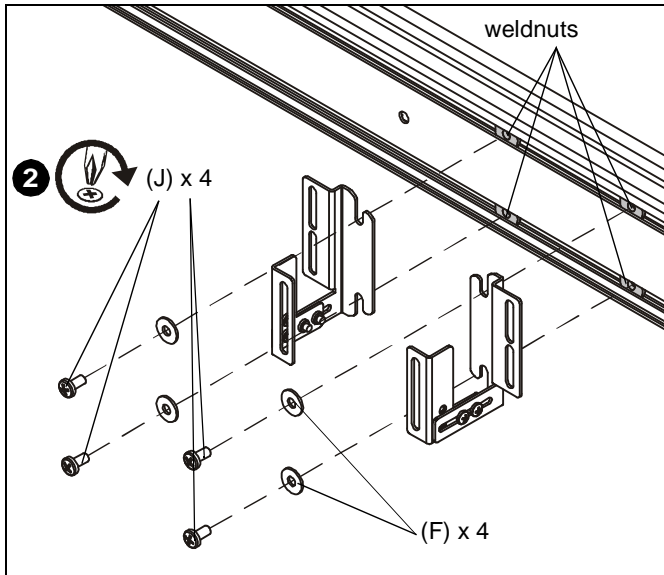


Figure 4

3. Put hook and loop squares (K) together to form two squares.
4. Remove paper from one side of both squares.
5. Attach hook and loop squares to brackets. (See Figure 5)
6. Remove paper from hook and loop squares and place component on brackets, pressing it against hook and loop squares. (See Figure 5)

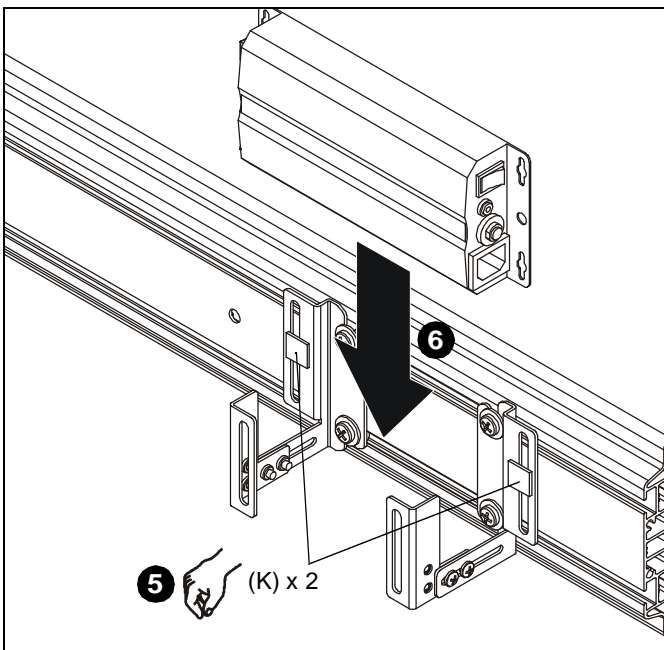


Figure 5

7. **OPTIONAL (attaching power strip):** Attach power strip (not included) to bracket assemblies through slots in retaining brackets and in power strip using two 1/4-20 x 1/2" Phillips head screws (J) and two hex nuts with flange (G). (See Figure 6)

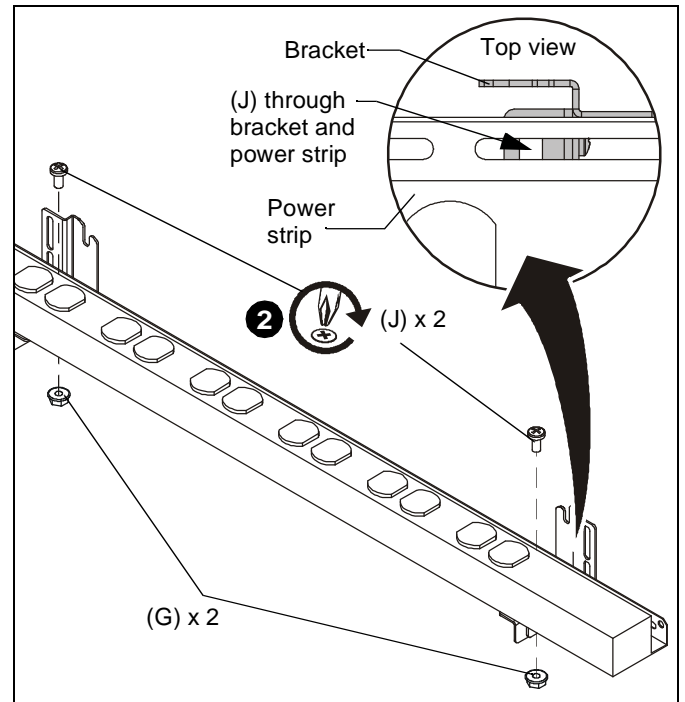


Figure 6



Our Mounts. **Your Vision.**

Chief Manufacturing, a products division
of Milestone AV Technologies

8800-002259 Rev00
©2012 Milestone AV Technologies, a
Duchossois Group Company
www.chiefmfg.com
0610

USA/International	A 6436 City West Parkway, Eden Prairie, MN 55344
	P 800.582.6480 / 952.225.6000
	F 877.894.6918 / 952.894.6918
Europe	A Franklinstraat 14, 6003 DK Weert, Netherlands
	P +31 (0) 495 580 852
	F +31 (0) 495 580 845
Asia Pacific	A Office No. 1 on 12/F, Shatin Galleria 18-24 Shan Mei Street Fotan, Shatin, Hong Kong
	P 852 2145 4099
	F 852 2145 4477

