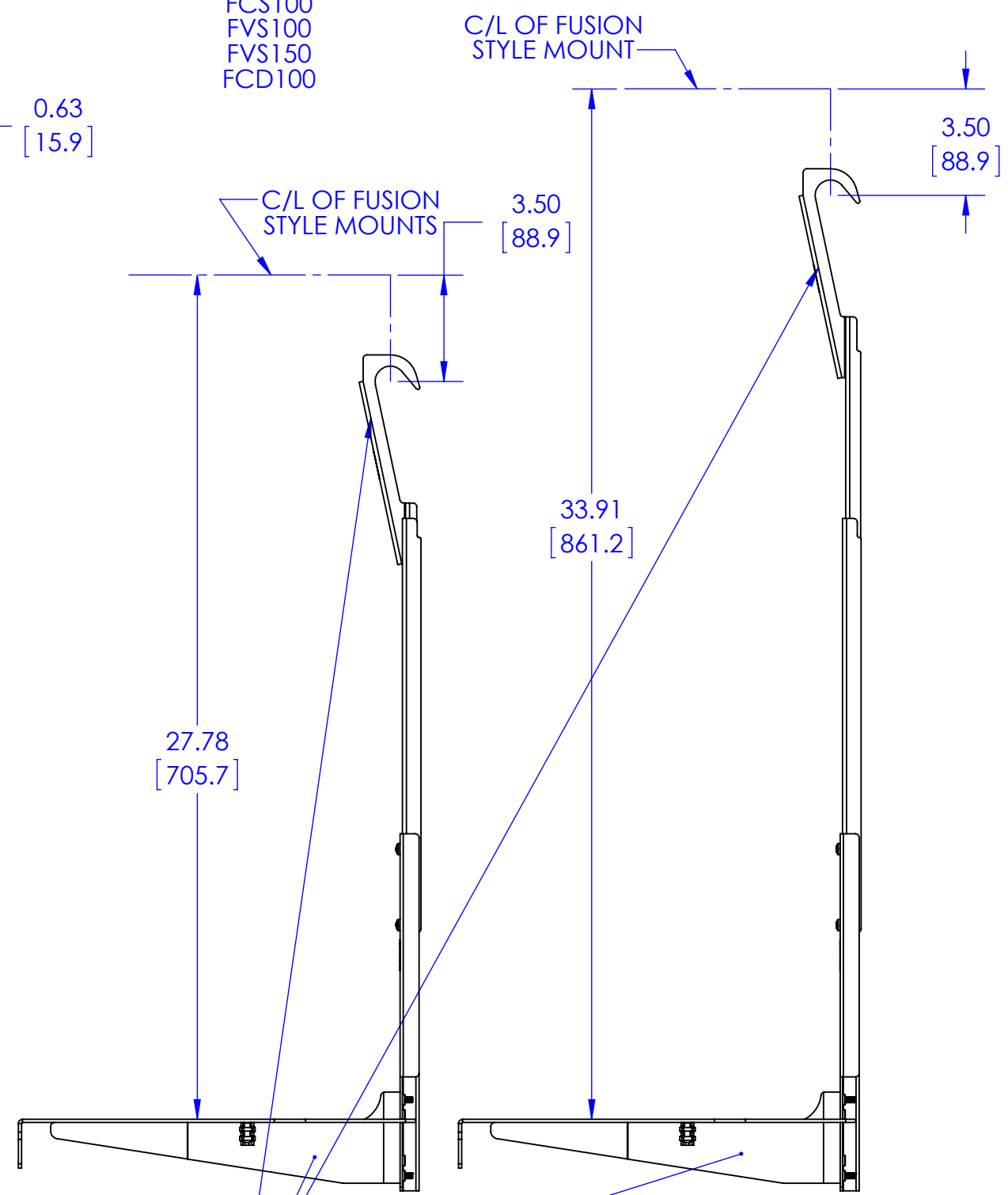
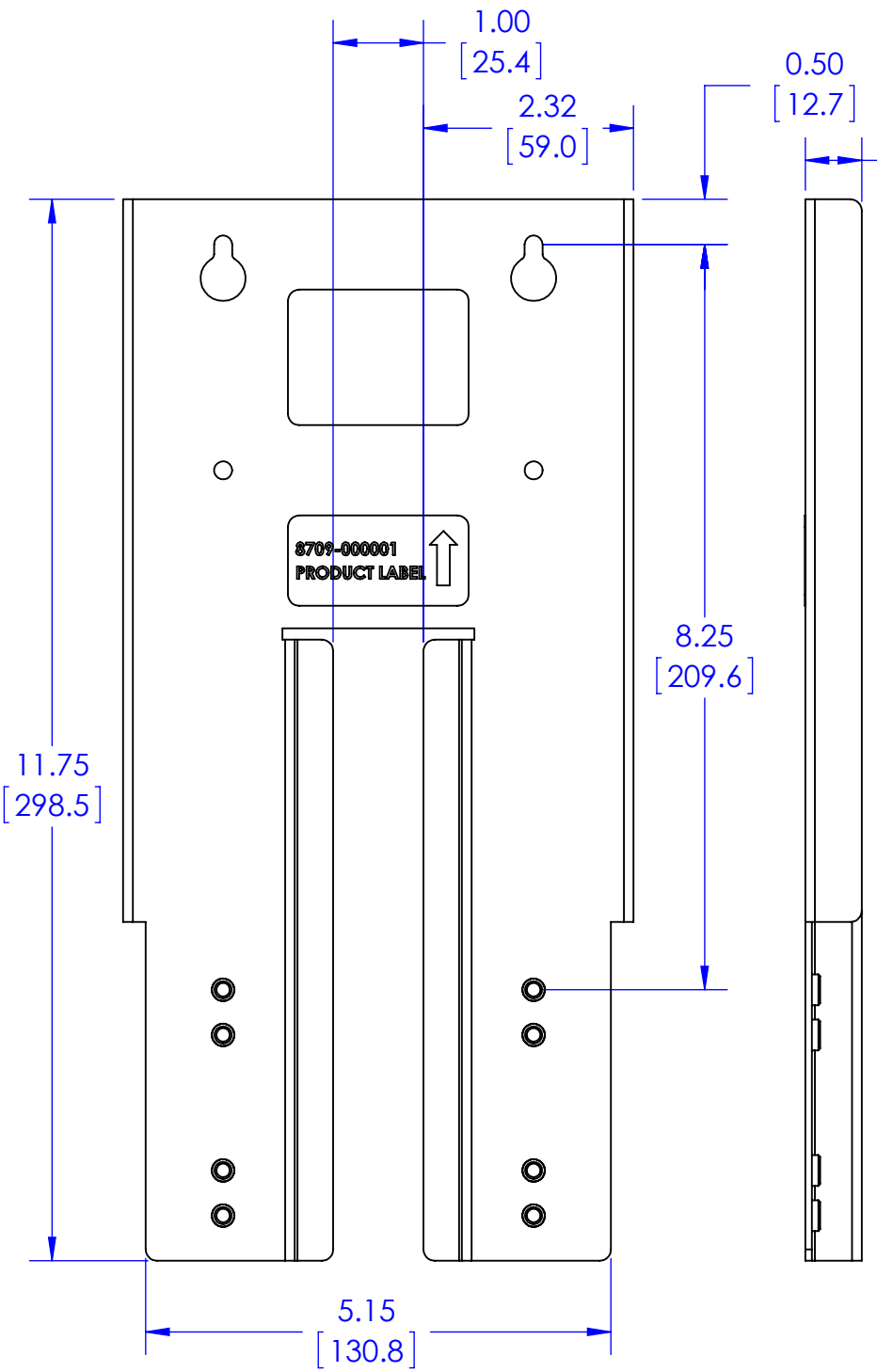
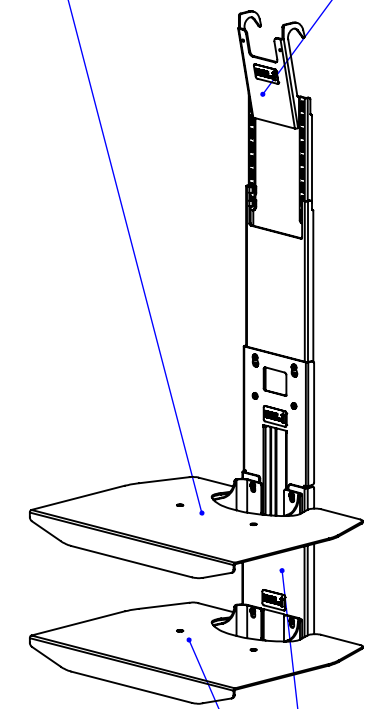


COMPATIBLE WITH CHIEF PRODUCTS  
 FCS100  
 FVS100  
 FVS150  
 FCD100



FCS100 COMPONENT SHELF ACCESSORY SOLD SEPARATELY



FCD100 DUAL SHELF ADAPTER SOLD SEPARATELY

SHELF AND HOOK BRACKET SOLD SEPARATELY

THE INFORMATION AND DESIGNS CONTAINED IN THIS DRAWING ARE CONFIDENTIAL AND THE PROPRIETARY PROPERTY OF MILESTONE AV TECHNOLOGIES NEITHER THIS DESIGN NOR ANY INFORMATION CONTAINED IN THIS DRAWING MAY BE REPRODUCED OR DISCLOSED TO OTHERS WITHOUT THE EXPRESS WRITTEN CONSENT OF MILESTONE AV TECHNOLOGIES.

CAD GENERATED DRAWING, DO NOT MANUALLY UPDATE.			<b>CHIEF</b>		6436 CITY WEST PKWY EDEN PRAIRIE, MN, 55344 PHONE: 866-977-3901 FAX: 877-894-6918
DRAWN BY	JAB	9/13/2012	DESCRIPTION <b>FCA104 TECH DRAWING</b>		
ENG APPROVAL			MODEL NO.		
MFG APPROVAL			REV. <b>00</b>		
QA APPROVAL			SCALE <b>1:4</b> SIZE <b>B</b> DWG. NO. <b>TECH-000206</b>		
SHEET 1 OF 1					