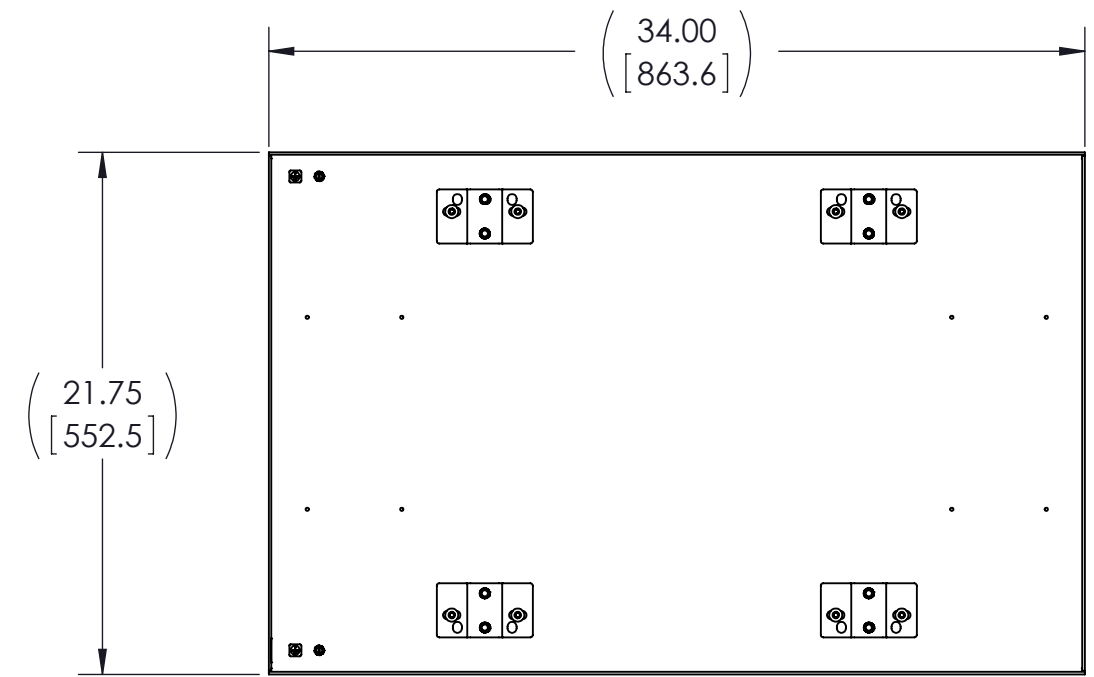
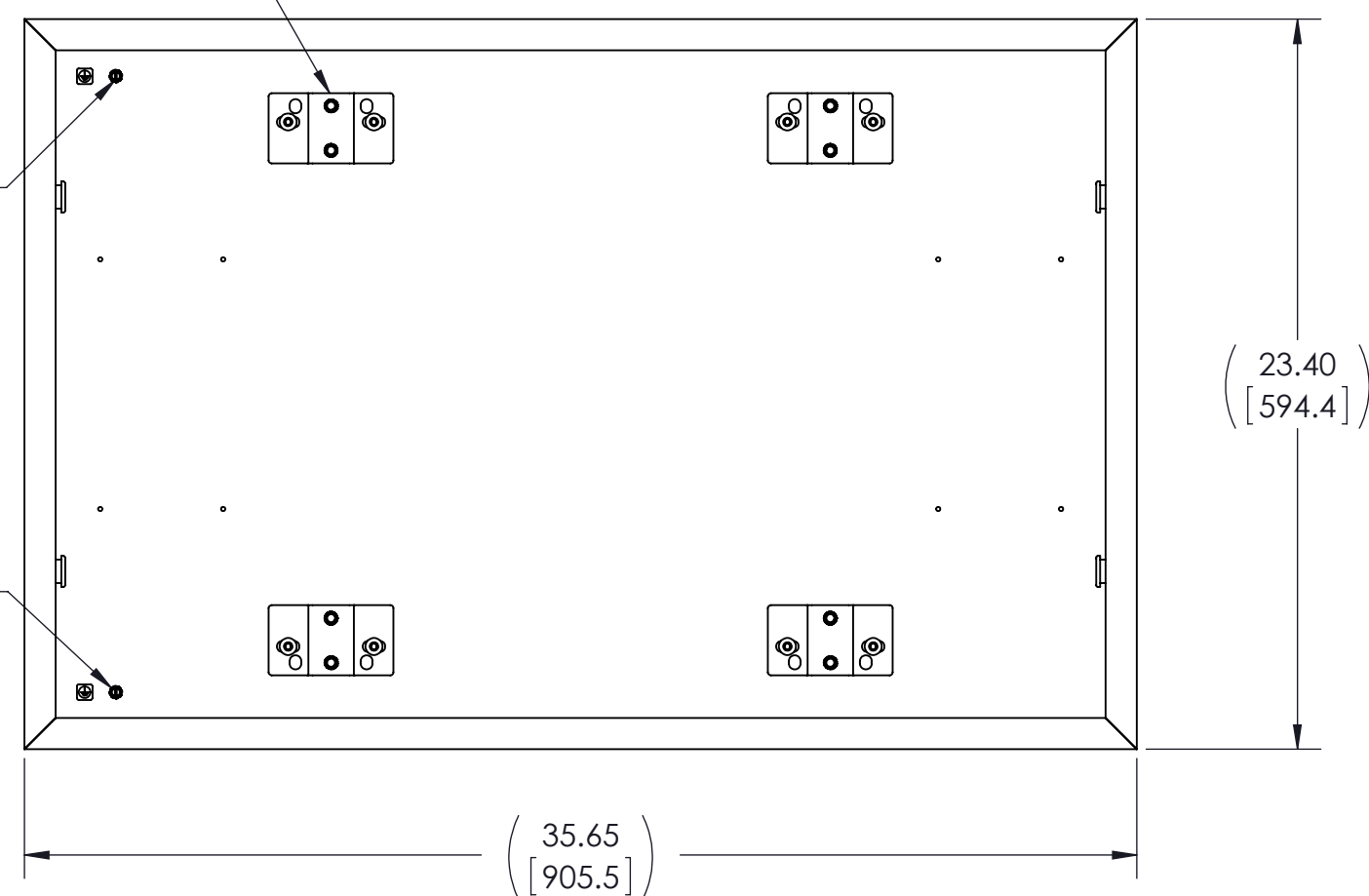


BRACKET POSITIONS SHOWN ARE FOR TS325 ROTATE BRACKETS 180 DEGREES FOR TS525

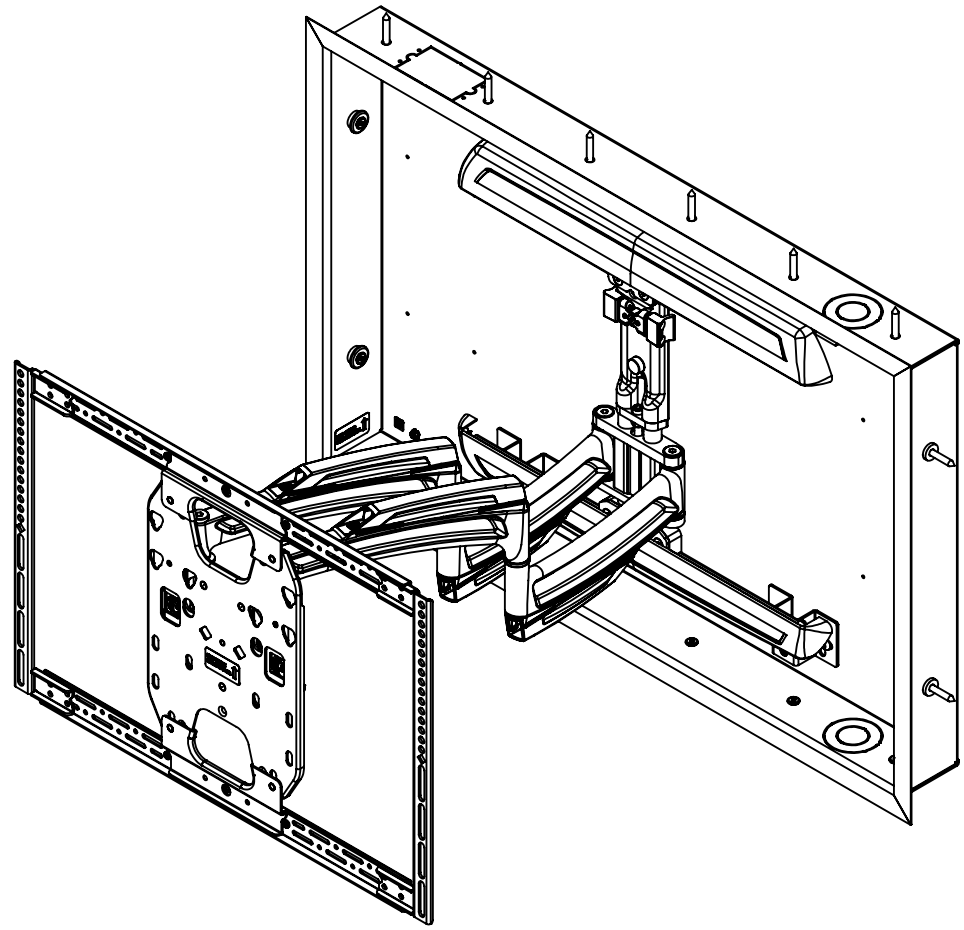


TRIM NOT SHOWN
(USE THESE DIMENSIONS FOR CUTOUT)

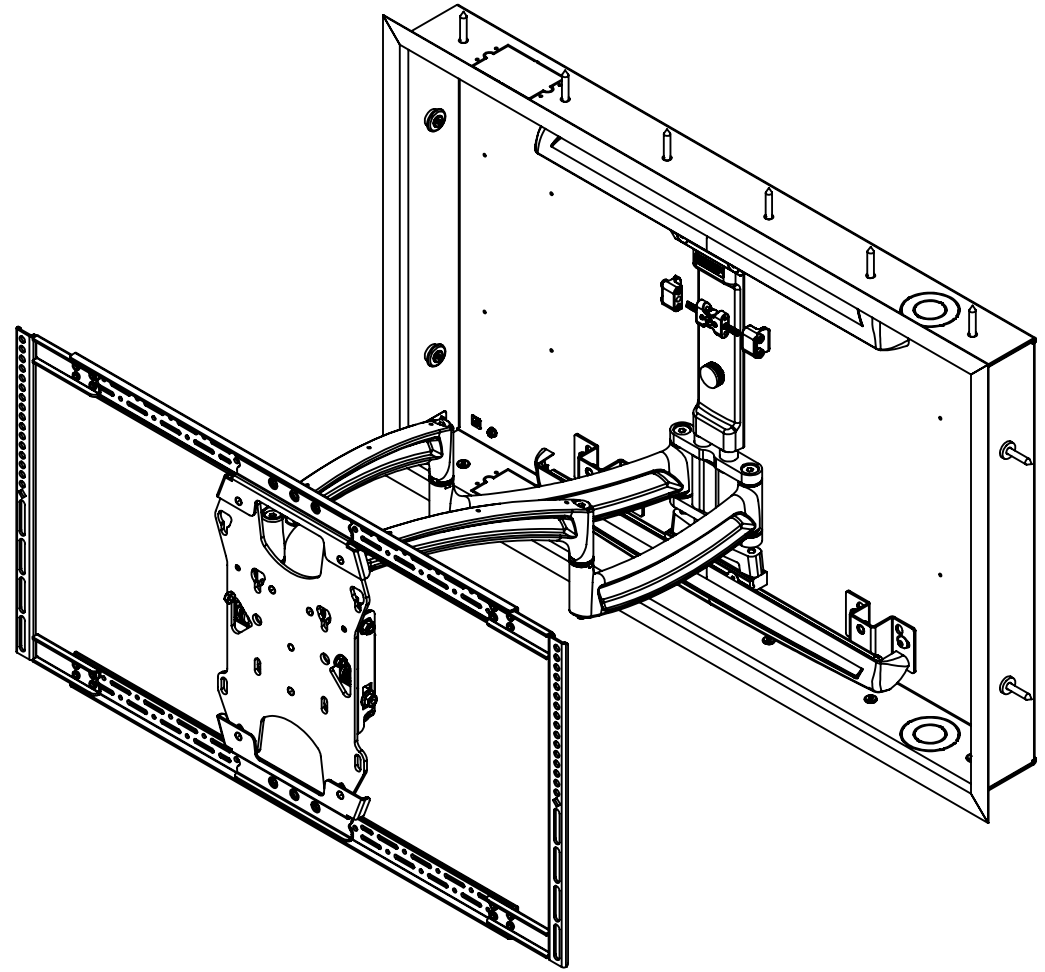
- NOTES:**
- ELECTRICAL KNOCK OUTS:
 - SINGLE GANG RACO 590. STEEL CITY CY 1/2, OR SIMILAR STYLE ELECTRICAL BOX.
 - 1" AND 2" TRADE PIPE CONDUIT.
 - PRODUCT WORKS WITH TS525 AND TS325.

THE INFORMATION AND DESIGNS CONTAINED IN THIS DRAWING ARE CONFIDENTIAL AND THE PROPRIETARY PROPERTY OF MILESTONE AV TECHNOLOGIES NEITHER THIS DESIGN NOR ANY INFORMATION CONTAINED IN THIS DRAWING MAY BE REPRODUCED OR DISCLOSED TO OTHERS WITHOUT THE EXPRESS WRITTEN CONSENT OF MILESTONE AV TECHNOLOGIES.

CAD GENERATED DRAWING, DO NOT MANUALLY UPDATE.			6436 CITY WEST PKWY EDEN PRAIRIE MN, 55344 PHONE: 866-977-3901 FAX: 877-894-6918		
DRAWN BY	LRP	8/20/2012			
ENG APPROVAL	LRP	8/20/2012	DESCRIPTION THINSTALL IN-WALL BOX - LARGE		
MFG APPROVAL			MODEL NO.		
QA APPROVAL					
SHEET 1 OF 2		SCALE 1:8	SIZE B	DWG. NO. TECH-000104	REV. 00



SWING ARM LARGE BOX WITH TS325
 FULLY RETRACTED MONITOR WILL BE FLUSH WITH WALL
 FULLY EXTENDED MONITOR WILL BE 22.67 FROM WALL
 MAX TILT IS 15 DEGREES



SWING ARM LARGE BOX WITH TS525
 FULLY RETRACTED MONITOR WILL BE FLUSH WITH WALL
 FULLY EXTENDED MONITOR WILL BE 23.34 FROM WALL
 MAX TILT IS 15 DEGREES

THE INFORMATION AND DESIGNS CONTAINED IN THIS DRAWING ARE CONFIDENTIAL AND THE PROPRIETARY PROPERTY OF MILESTONE AV TECHNOLOGIES NEITHER THIS DESIGN NOR ANY INFORMATION CONTAINED IN THIS DRAWING MAY BE REPRODUCED OR DISCLOSED TO OTHERS WITHOUT THE EXPRESS WRITTEN CONSENT OF MILESTONE AV TECHNOLOGIES.

CAD GENERATED DRAWING, DO NOT MANUALLY UPDATE.			 6436 CITY WEST PKWY EDEN PRAIRIE, MN, 55344 PHONE: 866-977-3901 FAX: 877-894-6918	
DRAWN BY	LRP	8/20/2012		
ENG APPROVAL	LRP	8/20/2012	DESCRIPTION THINSTALL IN-WALL BOX - LARGE	
MFG APPROVAL			MODEL NO.	
QA APPROVAL			REV. 00	
SHEET 2 OF 2		SCALE 1:8	SIZE B	DWG. NO. TECH-000104