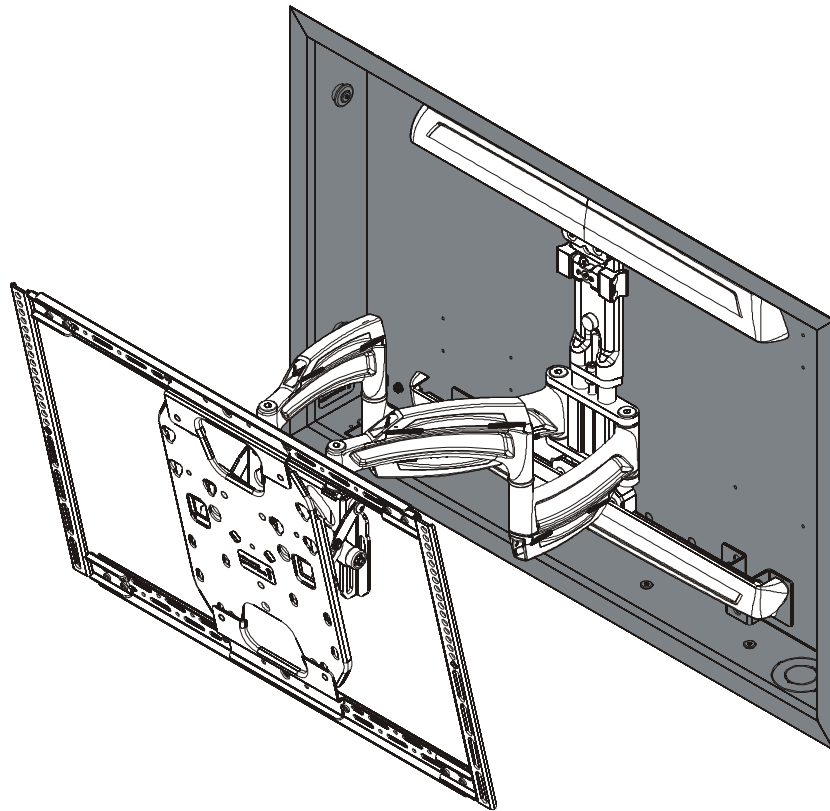

INSTALLATION INSTRUCTIONS



THININSTALL™ IN-WALL ENCLOSURE

DISCLAIMER

Milestone AV Technologies, and its affiliated corporations and subsidiaries (collectively, "Milestone"), intend to make this manual accurate and complete. However, Milestone makes no claim that the information contained herein covers all details, conditions or variations, nor does it provide for every possible contingency in connection with the installation or use of this product. The information contained in this document is subject to change without notice or obligation of any kind. Milestone makes no representation of warranty, expressed or implied, regarding the information contained herein. Milestone assumes no responsibility for accuracy, completeness or sufficiency of the information contained in this document.

Chief® is a trademark of Milestone AV Technologies.
All rights reserved.



IMPORTANT SAFETY INSTRUCTIONS!



WARNING: A WARNING alerts you to the possibility of serious injury or death if you do not follow the instructions.



CAUTION: A CAUTION alerts you to the possibility of damage or destruction of equipment if you do not follow the corresponding instructions.



WARNING: Failure to read, thoroughly understand, and follow all instructions can result in serious personal injury, damage to equipment, or voiding of factory warranty! It is the installer's responsibility to make sure all components are properly assembled and installed using the instructions provided.



WARNING: Failure to provide adequate structural strength for this component can result in serious personal injury or damage to equipment! It is the installer's responsibility to make sure the structure to which this component is attached can support five times the combined weight of all equipment. Reinforce the structure as required before installing the component. The wall to which the mount is being attached may have a maximum drywall thickness of 5/8" (1.6cm).



WARNING: Exceeding the weight capacity can result in serious personal injury or damage to equipment! It is the installer's responsibility to make sure the structure to which this accessory is attached can support the combined weight of the box and all equipment not to exceed 150 lbs (68.0 kg). The combined weight of all components attached to the TS318TU mount cannot exceed 75 lbs (34.0 kg).



WARNING: Use this mounting system only for its intended use as described in these instructions. Do not use attachments not recommended by the manufacturer.



WARNING: Never operate this mounting system if it is damaged. Return the mounting system to a service center for examination and repair.



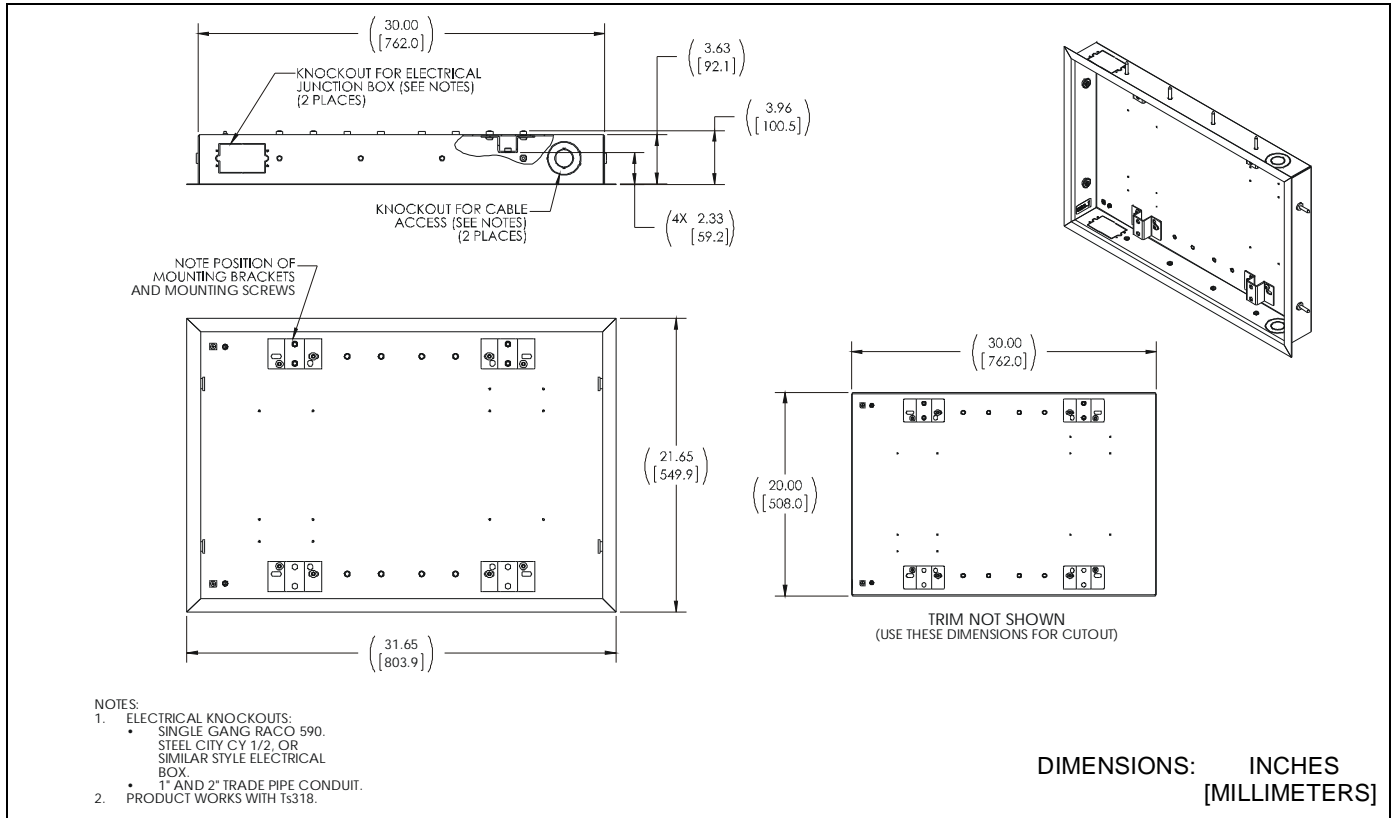
WARNING: Do not use this product outdoors.

NOTES:

- SUITABLE FOR USE IN OTHER ENVIRONMENTAL AIR SPACE IN ACCORDANCE WITH SECTION 300.22, (C) OF THE NATIONAL ELECTRICAL CODE.
- The equipment shall be installed and assembled by qualified service personnel.
- The maximum specified ambient temperature of the cabinet system is 40° - 120°F (4° - 49°).
- Minimum spacings between the accessories and components and the housing for Information Technology Communication Equipment shall be maintained for safe operation of the equipment when installed in accordance with the National Electric Code, ANSI/NFPA 70-1999. Refer to communication equipment manufacturer's specifications for minimum spacings.
- This Cabinet System is for use with Listed wall mounts. Refer to the individual mount's installation instructions for compatibility.

--SAVE THESE INSTRUCTIONS--

DIMENSIONS



LEGEND

	Tighten Fastener
	Apretar elemento de fijación
	Befestigungsteil festziehen
	Apertar fixador
	Serrare il fissaggio
	Bevestiging vastdraaien
	Serrez les fixations

	Pencil Mark
	Marcar con lápiz
	Stiftmarkierung
	Marcar com lápis
	Segno a matita
	Potloodmerkten
	Marquage au crayon

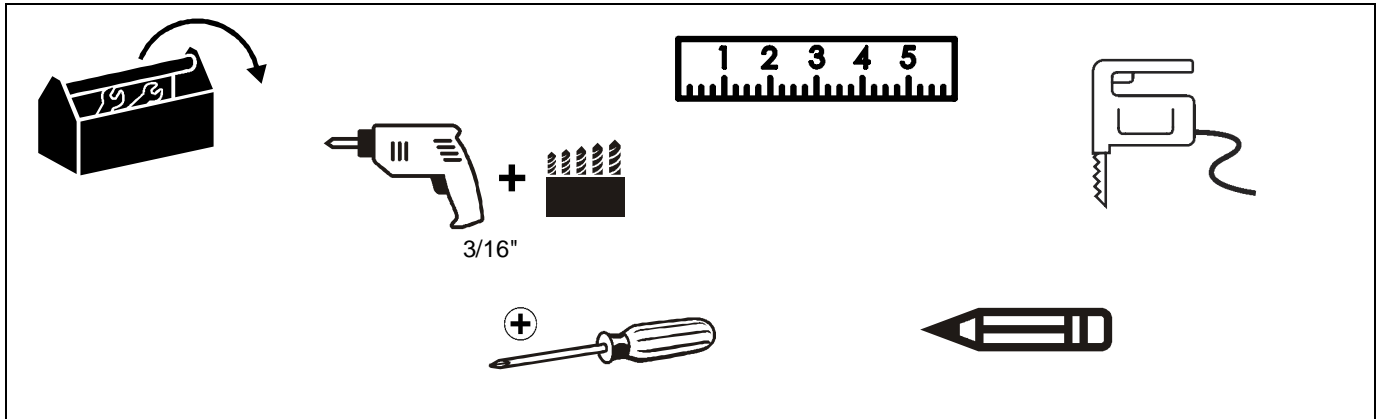
	Loosen Fastener
	Aflojar elemento de fijación
	Befestigungsteil lösen
	Desapertar fixador
	Allentare il fissaggio
	Bevestiging losdraaien
	Desserrez les fixations

	Drill Hole
	Perforar
	Bohrloch
	Fazer furo
	Praticare un foro
	Gat boren
	Percez un trou

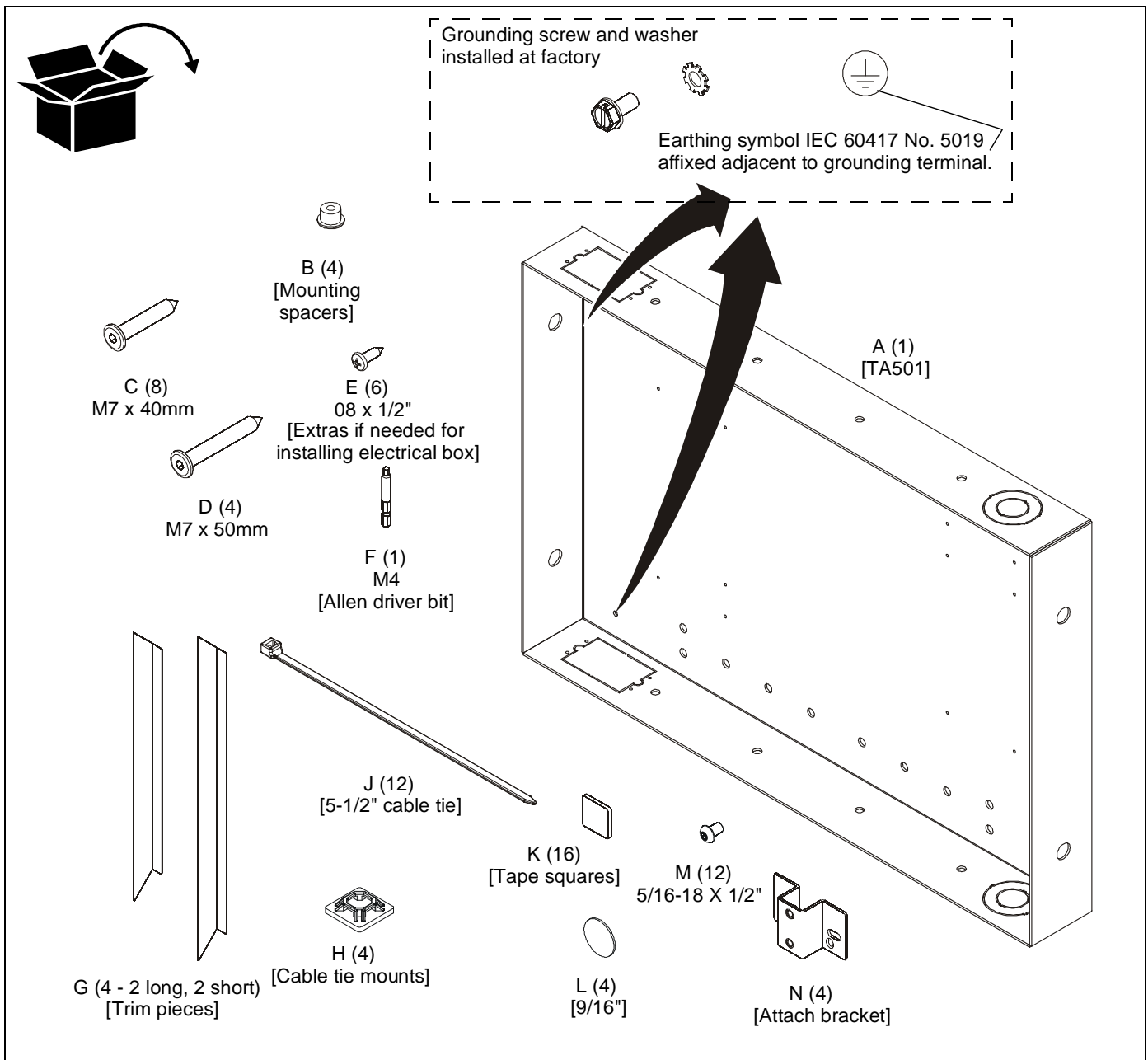
	Phillips Screwdriver
	Destornillador Phillips
	Kreuzschlitzschraubendreher
	Chave de fendas Phillips
	Cacciavite a stella
	Kruiskopschroevendraaier
	Tournevis à pointe cruciforme

	Hex-Head Wrench
	Llave de cabeza hexagonal
	Sechskantschlüssel
	Chave de cabeça sextavada
	Chiave esagonale
	Zeskantsleutel
	Clé à tête hexagonale

TOOLS REQUIRED FOR INSTALLATION



PARTS



INSTALLATION



WARNING: IMPROPER INSTALLATION CAN RESULT IN DEATH OR SERIOUS PERSONAL INJURY! This accessory should be installed by qualified personnel.

Site Preparation

Locate and Prepare Mounting Site

1. Identify a suitable wall location for the in-wall enclosure.

IMPORTANT ! : The TA501 is designed for in-wall installation spanning a minimum of three wood studs, 16" on center. Installation of TA501 in 2 x 4 wall results in nearly direct contact with vertical studs and back wall. Inadequate space will remain for electrical wires/cables, plumbing, ductwork, or insulation. Locate installation accordingly.



WARNING: ELECTRICAL SHOCK HAZARD! CUTTING OR DRILLING INTO ELECTRICAL WIRES OR CABLES CAN CAUSE DEATH OR SERIOUS PERSONAL INJURY! ALWAYS make certain area behind mounting surfaces is free of electrical wires and cables before cutting, drilling, or installing fasteners.



WARNING: EXPLOSION AND FIRE HAZARD! CUTTING OR DRILLING INTO GAS PLUMBING CAN CAUSE DEATH OR SERIOUS PERSONAL INJURY! ALWAYS make certain area behind mounting surfaces is free of gas, water, waste, or any other plumbing before cutting, drilling, or installing fasteners.

2. Using a stud sensor, locate and mark studs.
3. Center and level housing between marked studs.
4. Using TA501 (A) as a template, draw pencil line completely around in-wall enclosure. (See Figure 1)
5. Cut drywall on *outside* edge of line and remove.

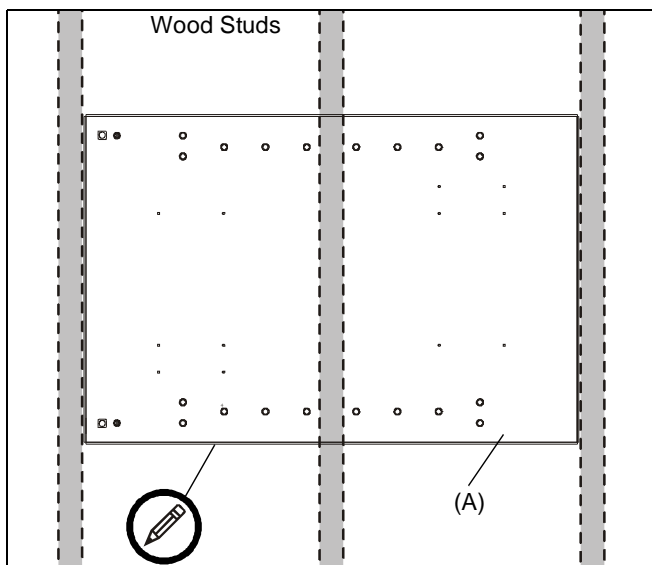


Figure 1

Frame Housing

IMPORTANT ! : Consult a qualified building contractor to install housing framing and follow all applicable building codes!

NOTE: The exposed portion of the center wood stud must be removed and the resulting cavity completely framed with wood. The following steps are suggested. The actual procedure is dependent upon the specific installation.



WARNING: STRUCTURAL FAILURE HAZARD! FAILURE TO TAKE ADEQUATE PRECAUTIONS CAN LEAD TO DEATH OR SERIOUS INJURY! Ensure removal of center stud will not cause unacceptable loss of structural strength. Consult a qualified building contractor and applicable building codes.

1. Remove exposed portion of center wood stud flush with upper and lower drywall edges.

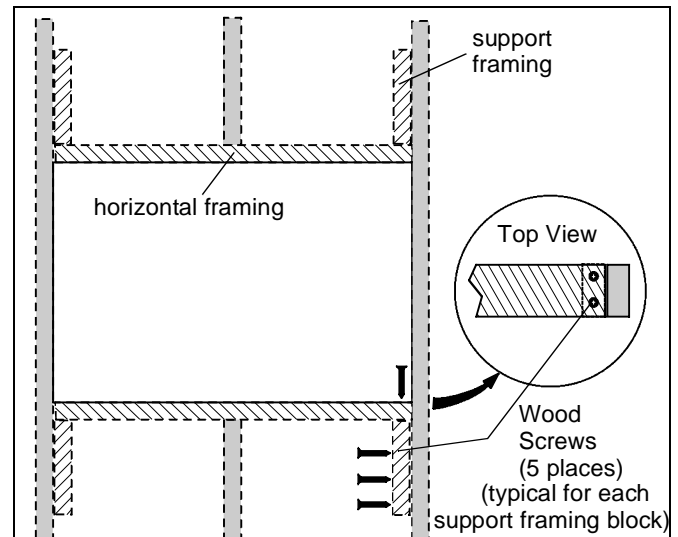


Figure 2

2. Cut four 8" long blocks for support framing.
3. Using three #10 x 2-1/2" countersunk wood screws (not provided), attach each support framing to the studs (See Figure 2)

NOTE: Ensure screws are far enough from block end to prevent interference with framing screws installed in **In-Wall Enclosure Installation** section.

4. If necessary, cut rectangular hole in horizontal framing to accommodate the PAC-GB1 Listed electrical box accessory (not included).
5. Attach horizontal framing to support framing with two #10 x 2-1/2" countersunk wood screws (not provided). (See Figure 2)

In-Wall Enclosure Installation

1. Install PAC-GB1 Listed electrical box accessory (not included) into the TA501 (A) following instructions included with the PAC-GB1.
2. Connect electrical wiring according to National Electrical Code(NEC) ANSI/NFPA 70 - 2008, wire connection requirements.
3. Route audio/visual cables into housing.
4. Center TA501 (A) in opening and insert into opening. Align front of box with front face of wall. (See Figure 3)

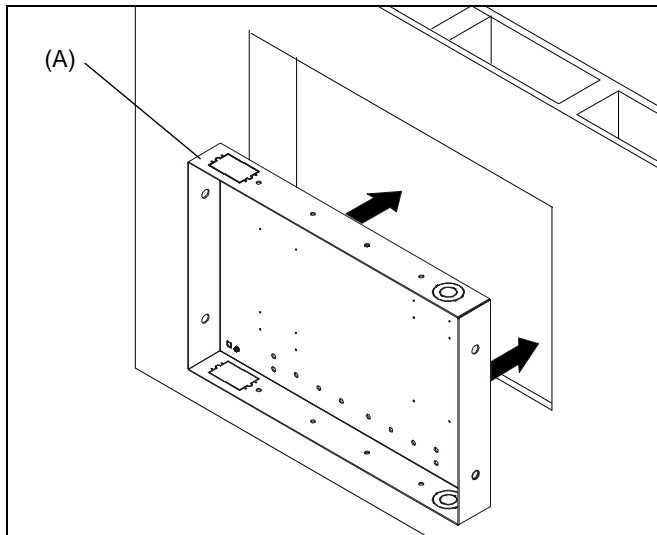


Figure 3



WARNING: ELECTRICAL SHOCK HAZARD! CUTTING OR DRILLING INTO ELECTRICAL WIRES OR CABLES CAN CAUSE DEATH OR SERIOUS PERSONAL INJURY! ALWAYS make certain area behind mounting surfaces is free of electrical wires and cables before cutting, drilling, or installing fasteners.

5. Drill four 3/16" diameter pilot holes in studs at side mounting holes. (See Figure 4)
6. Attach the TA501 (A) to side studs using four M7 x 50mm Allen head connector screws (D) and mounting spacers (B) using an M4 Allen head drill bit (F). (See Figure 4)

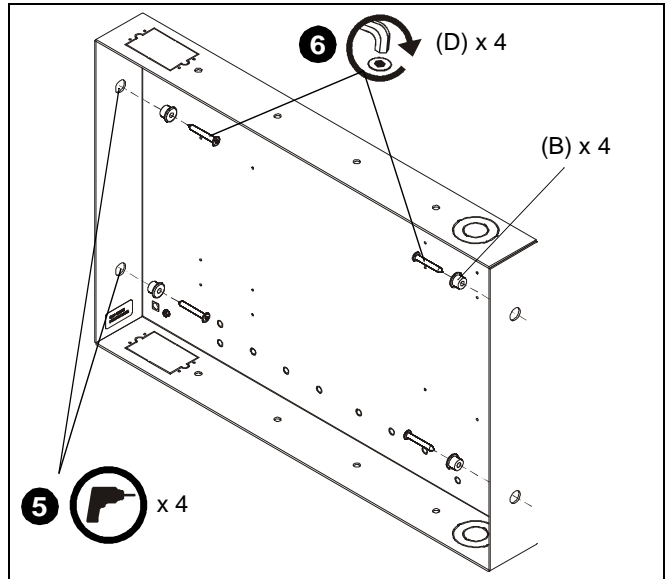


Figure 4

NOTE: The TA501 has 1/2" total clearance between the two studs. The spacers allow side to side adjustment.

7. Drill eight 3/16" diameter pilot holes in horizontal framing at top and bottom mounting holes. (See Figure 5)
8. Attach the TA501 (A) to horizontal framing using eight M7 x 40mm Allen head connector screws (C) using an M4 Allen head drill bit (F). (See Figure 5)

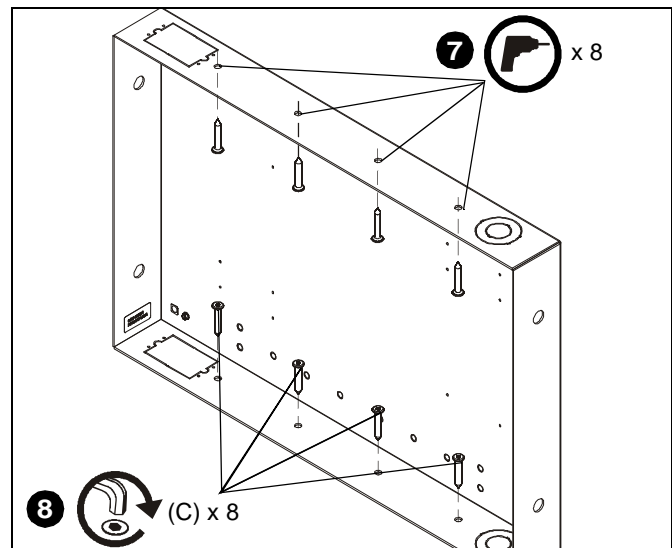


Figure 5



DANGER: IMPROPER WIRING CAN LEAD TO DEATH OR SEVERE PERSONAL INJURY! Grounding must be installed by qualified personnel using a UL Recognized No. 12AWG grounding wire connected to grounding lug on mount.

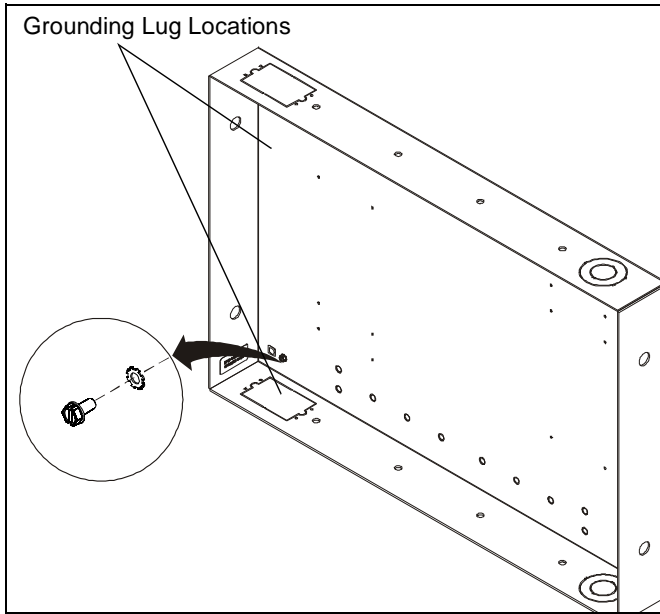


Figure 6

TS318TU Installation

IMPORTANT ! : The TA501 was designed specifically for the TS318TU wall mount. Do not attempt to install any other wall mounts with the TA501!

1. Use eight 5/16-18 x 1/2" button head cap screws (M) to attach four attachment brackets (N) to the TA501 (A). (See Figure 7)

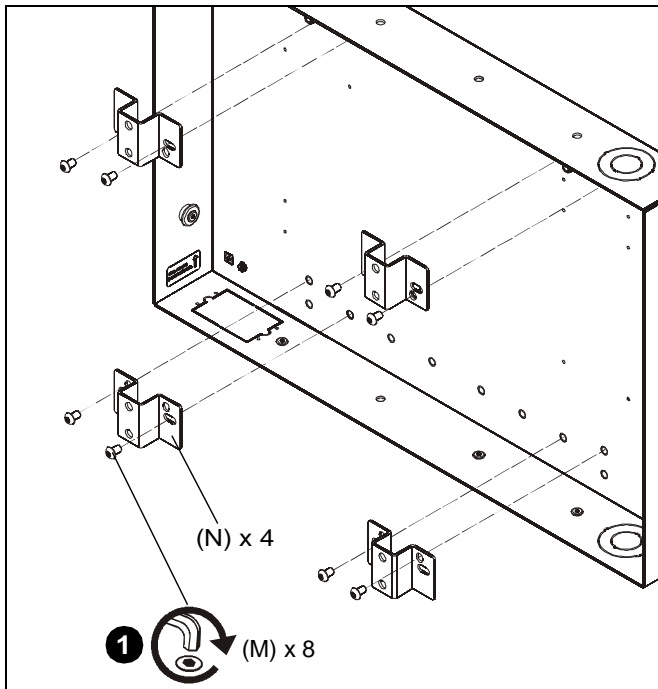


Figure 7

2. Use two 5/16-18 x 1/2" button head cap screws (M) to loosely attach upper wall plate of TS318TU to upper attachment brackets (N). (See Figure 8)

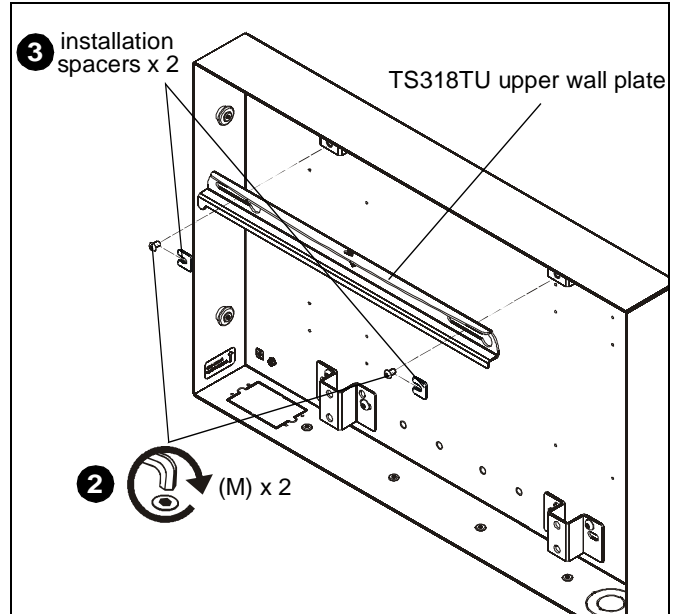


Figure 8

3. Place two installation spacers (included with TS318TU) over two 5/16-18 x 1/2" button head cap screws (M). (See Figure 8)
4. Tighten two screws (M) to secure upper wall plate to upper attachment brackets.
5. Slide TS318TU assembly onto upper wall plate of TS318TU. (See Figure 9)

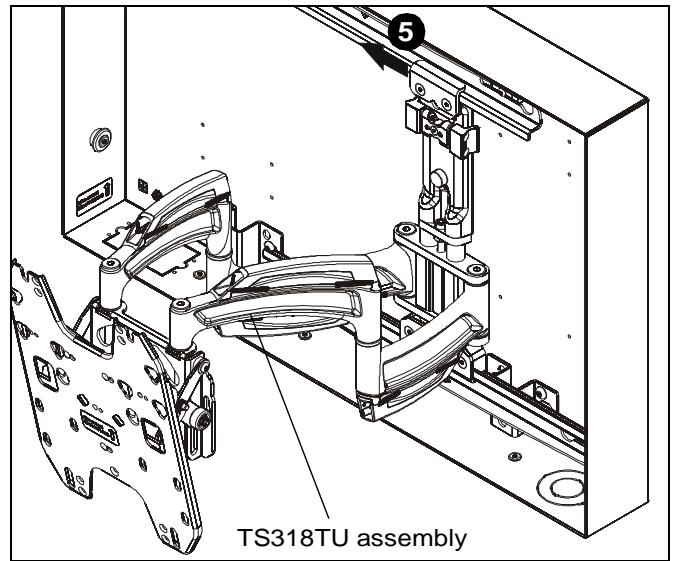


Figure 9

- Use two 5/16-18 x 1/2" button head cap screws (M) to loosely attach lower wall plate of TS318TU assembly to lower attachment brackets (N). (See Figure 10)

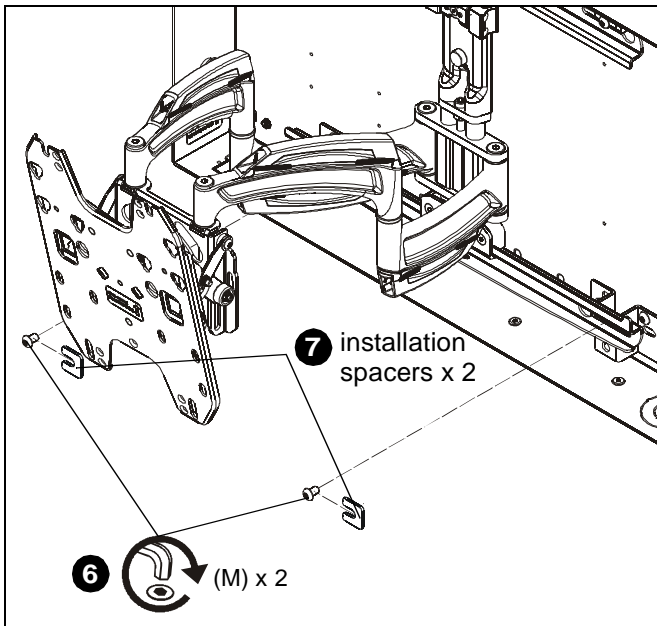


Figure 10

- Place two installation spacers (included with TS318TU) over two 5/16-18 x 1/2" button head cap screws (M). (See Figure 10)
- Tighten two screws (M) to secure lower wall plate to lower attachment brackets.
- Loosen flat head cap screws on upper carriage rail in order to loosen white spacer. (See Figure 11)
- Remove white spacer from mount. (See Figure 11)
- Tighten flat head cap screws. (See Figure 11)

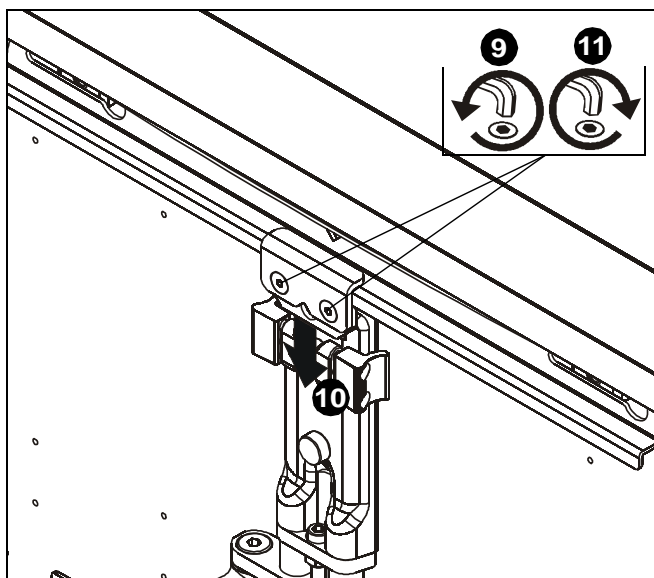


Figure 11

- Complete TS318TU installation following TS318TU installation instructions.

Trim Kit (Optional)

- Remove paper covering adhesive and affix three tape squares (K) to inside lower flange of each trim piece (G). (See Figure 12)
- Orient trim pieces (G). (See Figure 12)
- Remove paper covering adhesive back from tape squares (K) on trim and press trim (G) against inner wall of box. (See Figure 12)

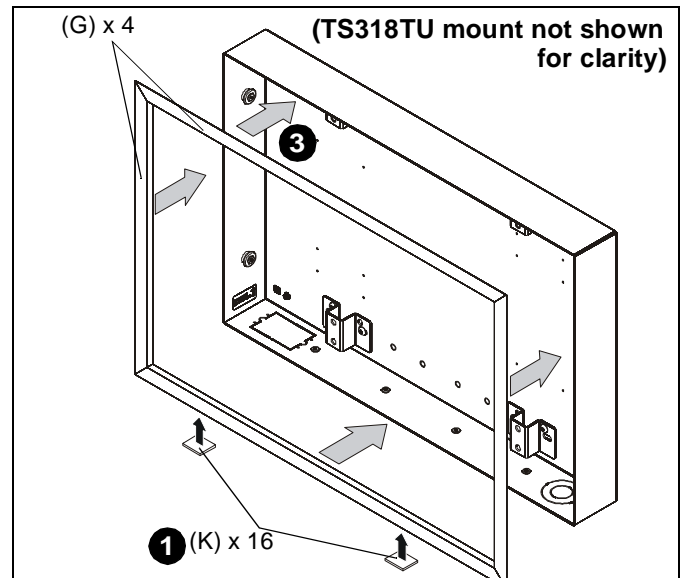


Figure 12

Cable Management

- Attach all cables to display.
- If necessary, use cable tie mounts (H) and cable ties (J) to secure cables within TA501.



Our Mounts. **Your Vision.**

Chief Manufacturing, a products division
of Milestone AV Technologies

8800-002231 Rev00

©2012 Milestone AV Technologies,
a Duchossois Group Company

www.chiefmfg.com

12/12

USA/International	A 6436 City West Parkway, Eden Prairie, MN 55344
	P 800.582.6480 / 952.225.6000
	F 877.894.6918 / 952.894.6918
Europe	A Franklinstraat 14, 6003 DK Weert, Netherlands
	P +31 (0) 495 580 852
	F +31 (0) 495 580 845
Asia Pacific	A Office No. 1 on 12/F, Shatin Galleria 18-24 Shan Mei Street Fotan, Shatin, Hong Kong
	P 852 2145 4099
	F 852 2145 4477

