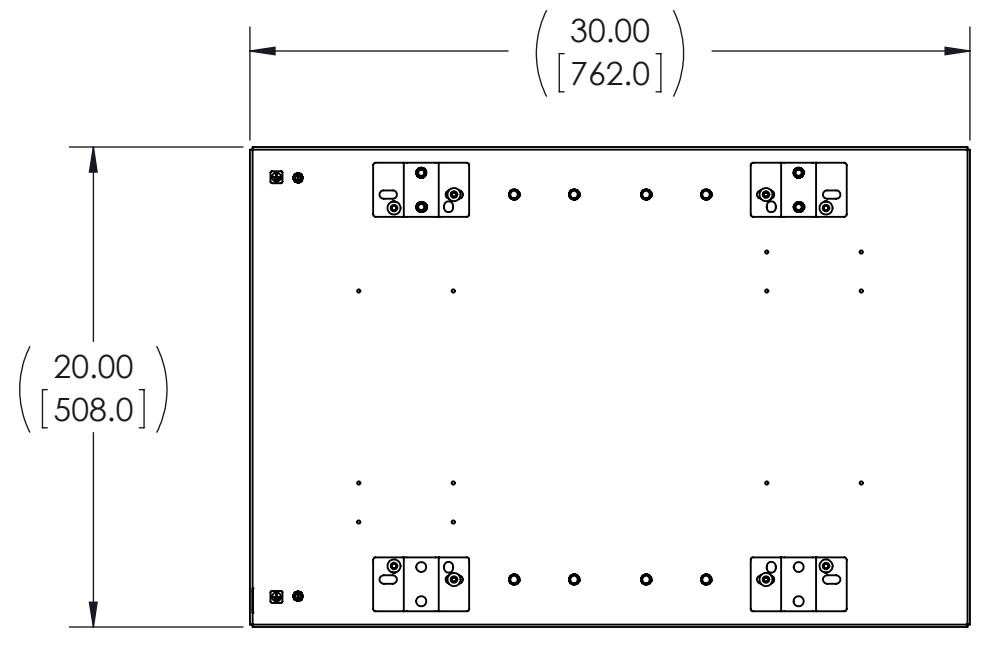
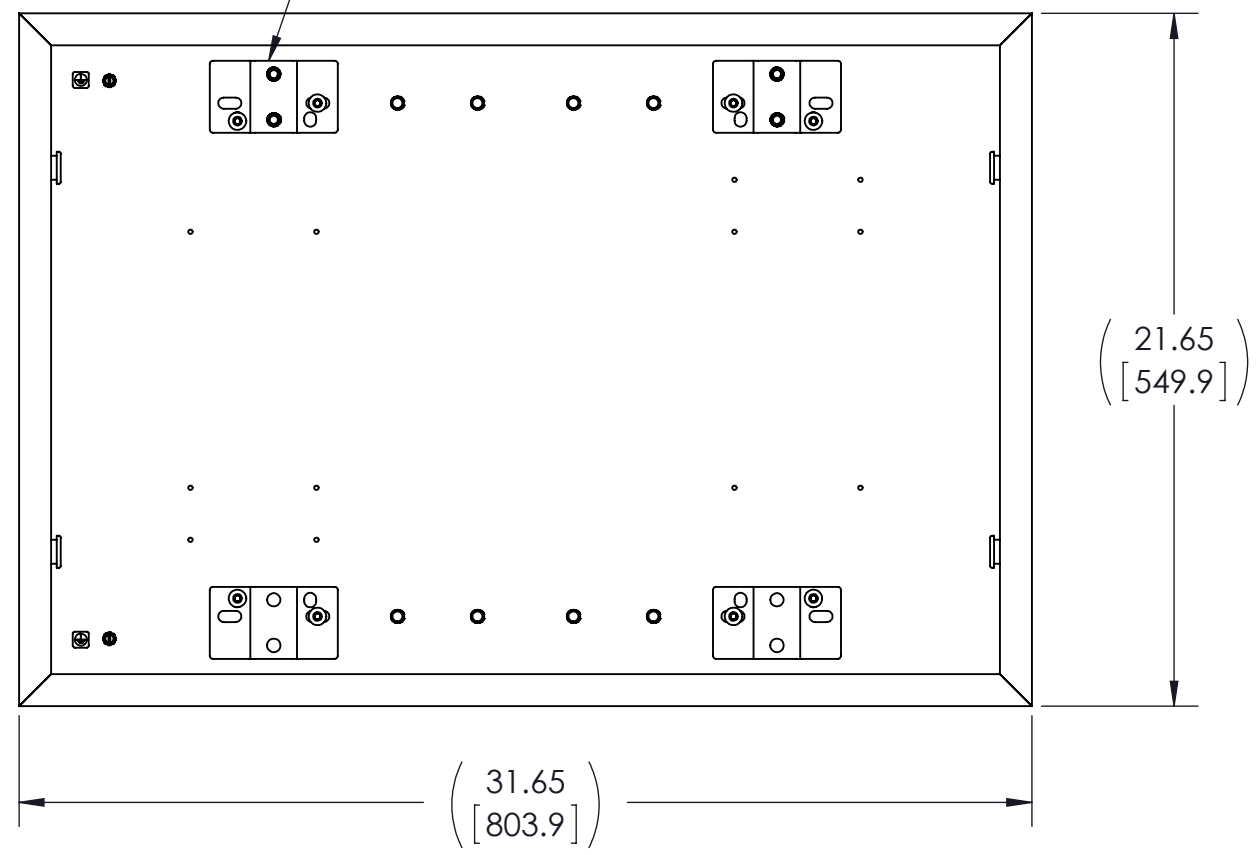


NOTE POSITION OF MOUNTING BRACKETS AND MOUNTING SCREWS

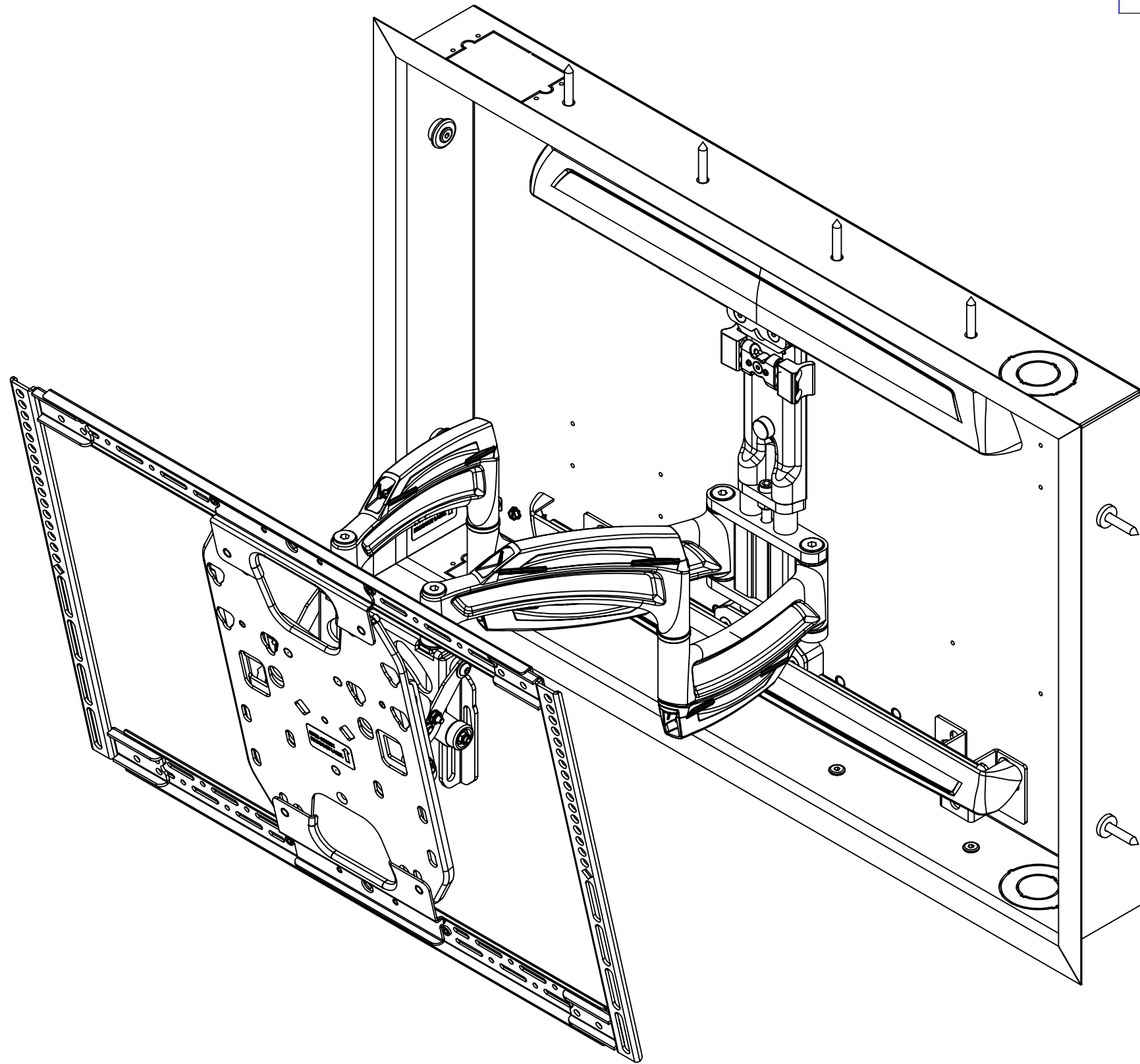


**TRIM NOT SHOWN**  
(USE THESE DIMENSIONS FOR CUTOUT)

- NOTES:**
- ELECTRICAL KNOCK OUTS:
    - SINGLE GANG RACO 590, STEEL CITY CY 1/2, OR SIMILAR STYLE ELECTRICAL BOX.
    - 1" AND 2" TRADE PIPE CONDUIT.
  - PRODUCT WORKS WITH TS525 AND TS325.

**THE INFORMATION AND DESIGNS CONTAINED IN THIS DRAWING ARE CONFIDENTIAL AND THE PROPRIETARY PROPERTY OF MILESTONE AV TECHNOLOGIES NEITHER THIS DESIGN NOR ANY INFORMATION CONTAINED IN THIS DRAWING MAY BE REPRODUCED OR DISCLOSED TO OTHERS WITHOUT THE EXPRESS WRITTEN CONSENT OF MILESTONE AV TECHNOLOGIES.**

CAD GENERATED DRAWING, DO NOT MANUALLY UPDATE.			6436 CITY WEST PKWY EDEN PRAIRIE MN, 55344 PHONE: 866-977-3901 FAX: 877-894-6918		
DRAWN BY	LRP	8/20/2012			
ENG APPROVAL	LRP	8/20/2012	DESCRIPTION <b>THINSTALL IN-WALL BOX-MEDIUM</b>		
MFG APPROVAL			MODEL NO.		
QA APPROVAL					
SHEET 1 OF 2		SCALE <b>1:8</b>	SIZE <b>B</b>	DWG. NO. <b>TECH-000105</b>	REV. <b>00</b>



**SWING ARM MEDIUM BOX WITH TS318**  
 FULLY RETRACTED MONITOR WILL BE FLUSH WITH WALL  
 FULLY EXTENDED MONITOR WILL BE 16.27 FROM WALL  
 MAX TILT IS 15 DEGREES

**THE INFORMATION AND DESIGNS CONTAINED IN THIS DRAWING ARE CONFIDENTIAL AND THE PROPRIETARY PROPERTY OF MILESTONE AV TECHNOLOGIES NEITHER THIS DESIGN NOR ANY INFORMATION CONTAINED IN THIS DRAWING MAY BE REPRODUCED OR DISCLOSED TO OTHERS WITHOUT THE EXPRESS WRITTEN CONSENT OF MILESTONE AV TECHNOLOGIES.**

CAD GENERATED DRAWING, DO NOT MANUALLY UPDATE.			 6436 CITY WEST PKWY EDEN PRAIRIE MN, 55344 PHONE: 866-977-3901 FAX: 877-894-6918	
DRAWN BY	LRP	8/20/2012		
ENG APPROVAL	LRP	8/20/2012	DESCRIPTION <b>THINSTALL IN-WALL BOX-MEDIUM</b>	
MFG APPROVAL			MODEL NO.	
QA APPROVAL			REV. <b>00</b>	
SHEET 2 OF 2		SCALE <b>1:12</b>	SIZE <b>B</b>	DWG. NO. <b>TECH-000105</b>