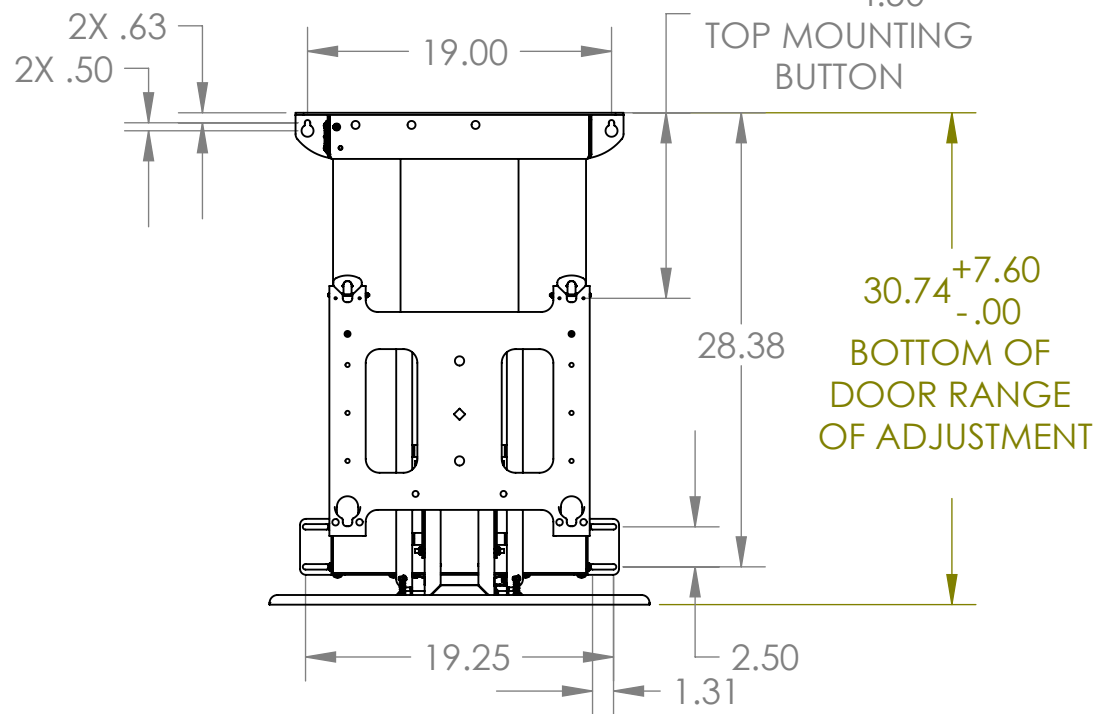
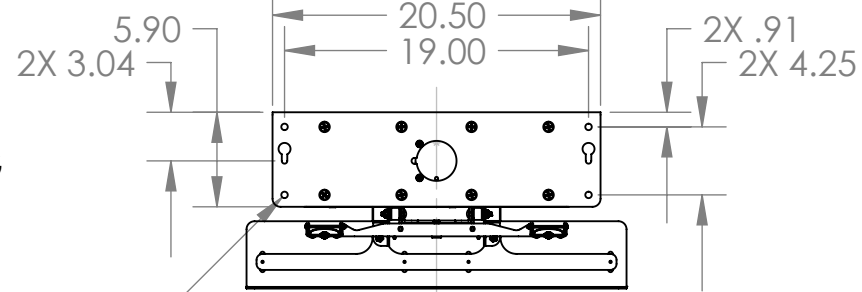
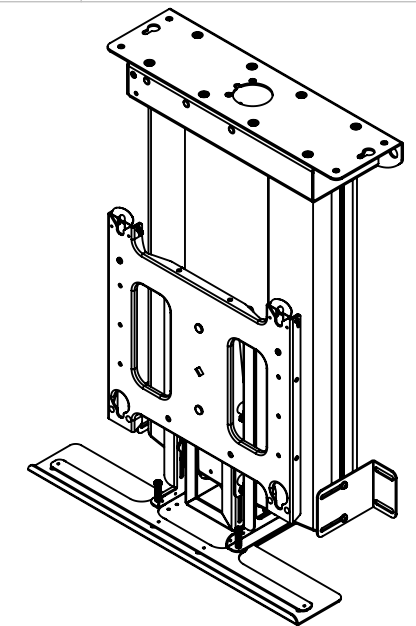
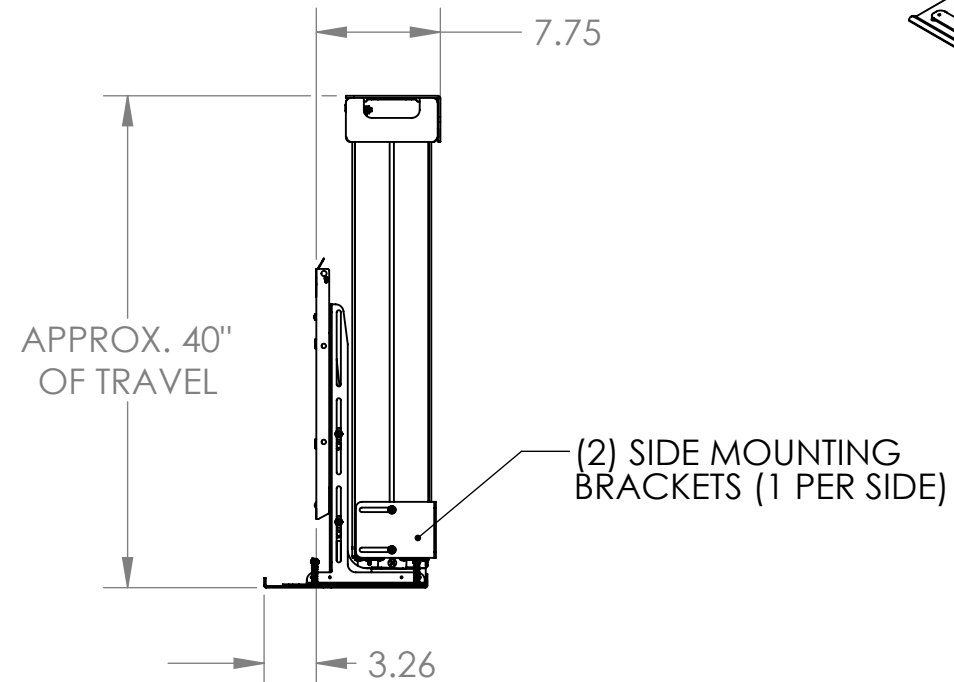
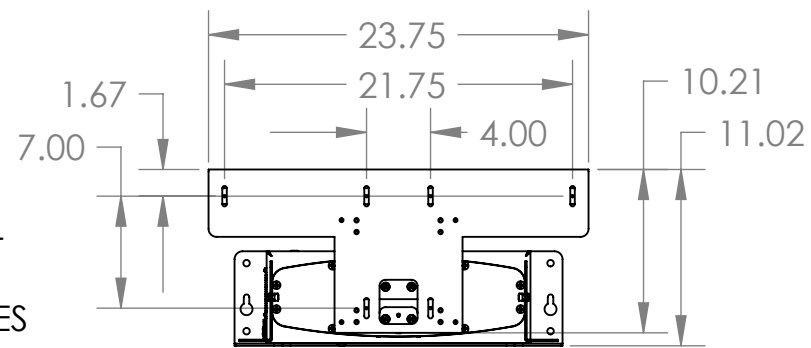


CEILING MOUNTING HOLES

4X Ø.406



DOOR BRACKET AND MOUNTING HOLES



NOTE:  
 1. CUSTOM INTERFACE BRACKET NOT SHOWN. THE CUSTOM INTERFACE BRACKET NEEDED FOR YOUR DISPLAY WILL ADD BETWEEN 1/2" AND 2" IN DEPTH AND MAY AFFECT LOCATION OF DISPLAY ON THE MOUNT.  
 2. ALLOW FOR A MINIMUM OF 1.5" OVERHANG ON ALL SIDES OF SHELF OVER DISPLAY.

SEE PSB-XXXX DRAWING ALSO.



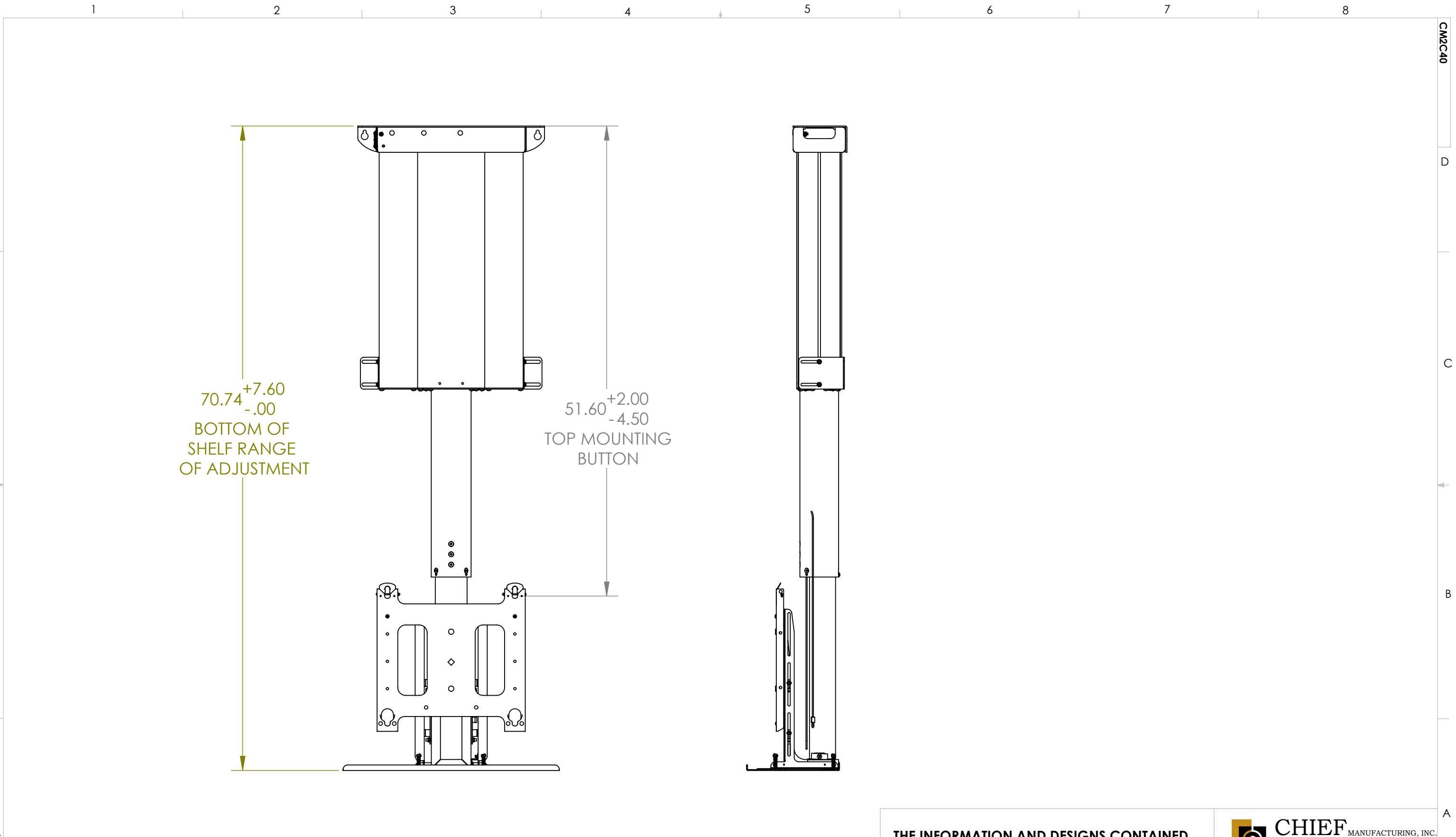
CHIEF MANUFACTURING INC.  
 MOUNT ORDER NUMBER IS CM2C40  
 PHONE: 1-800-582-6480

THE INFORMATION AND DESIGNS CONTAINED IN THIS DRAWING ARE CONFIDENTIAL AND THE PROPRIETARY PROPERTY OF CHIEF MFG., INC. NEITHER THIS DESIGN NOR ANY INFORMATION CONTAINED IN THIS DRAWING MAY BE REPRODUCED OR DISCLOSED TO OTHERS WITHOUT THE EXPRESS WRITTEN CONSENT OF CHIEF MFG., INC.

**CHIEF** MANUFACTURING, INC.  
 8401 EAGLE CREEK PKWY STE. 700, SAVAGE, MN 55378  
 1.800.582.6480 \* FAX 1.877.894.6918

TITLE  
 CUSTOMER PRINT  
 ASSEMBLY, CINEMATIC  
 POP-UP LIFT  
 CM2C40

SIZE DWG. NO.  
 B CM2C40



70.74<sup>+7.60</sup><sub>-.00</sub>  
 BOTTOM OF  
 SHELF RANGE  
 OF ADJUSTMENT

51.60<sup>+2.00</sup><sub>-4.50</sub>  
 TOP MOUNTING  
 BUTTON



**CHIEF MANUFACTURING INC.**  
**MOUNT ORDER NUMBER IS CM2C40**  
**PHONE: 1-800-582-6480**

THE INFORMATION AND DESIGNS CONTAINED  
 IN THIS DRAWING ARE CONFIDENTIAL AND THE  
 PROPRIETARY PROPERTY OF CHIEF MFG., INC.  
 NEITHER THIS DESIGN NOR ANY INFORMATION  
 CONTAINED IN THIS DRAWING MAY BE  
 REPRODUCED OR DISCLOSED TO OTHERS  
 WITHOUT THE EXPRESS WRITTEN CONSENT OF  
 CHIEF MFG., INC.

 <b>CHIEF</b> MANUFACTURING, INC. <small>8401 EAGLE CREEK PKWY STE. 700, SAVAGE, MN 55378        1.800.582.6480 * FAX 1.877.894.6918</small>	
<small>TITLE</small> <b>CUSTOMER PRINT        ASSEMBLY, CINEMATIC        POP-UP LIFT        CM2C40</b>	
<small>SIZE</small> <b>B</b>	<small>DWG. NO.</small> <b>CM2C40</b>