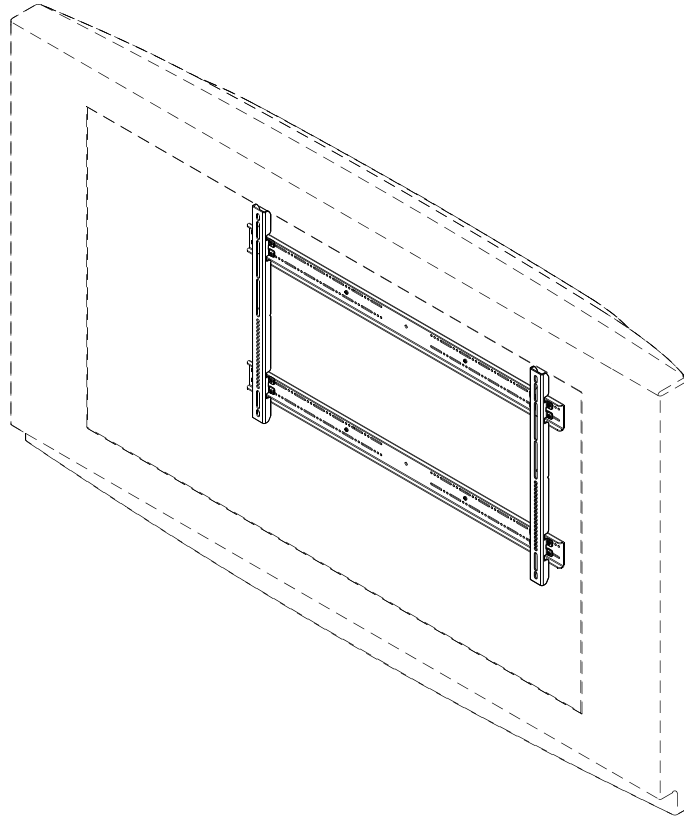

INSTALLATION INSTRUCTIONS



Universal Plasma Interface Bracket

DISCLAIMER

CSAV, Inc., and its affiliated corporations and subsidiaries (collectively, "CSAV"), intend to make this manual accurate and complete. However, CSAV makes no claim that the information contained herein covers all details, conditions or variations, nor does it provide for every possible contingency in connection with the installation or use of this product. The information contained in this document is subject to change without notice or obligation of any kind. CSAV makes no representation of warranty, expressed or implied, regarding the information contained herein. CSAV assumes no responsibility for accuracy, completeness or sufficiency of the information contained in this document.



IMPORTANT WARNINGS AND CAUTIONS!



WARNING: A WARNING alerts you to the possibility of serious injury or death if you do not follow the instructions.



CAUTION: A CAUTION alerts you to the possibility of damage or destruction of equipment if you do not follow the corresponding instructions.



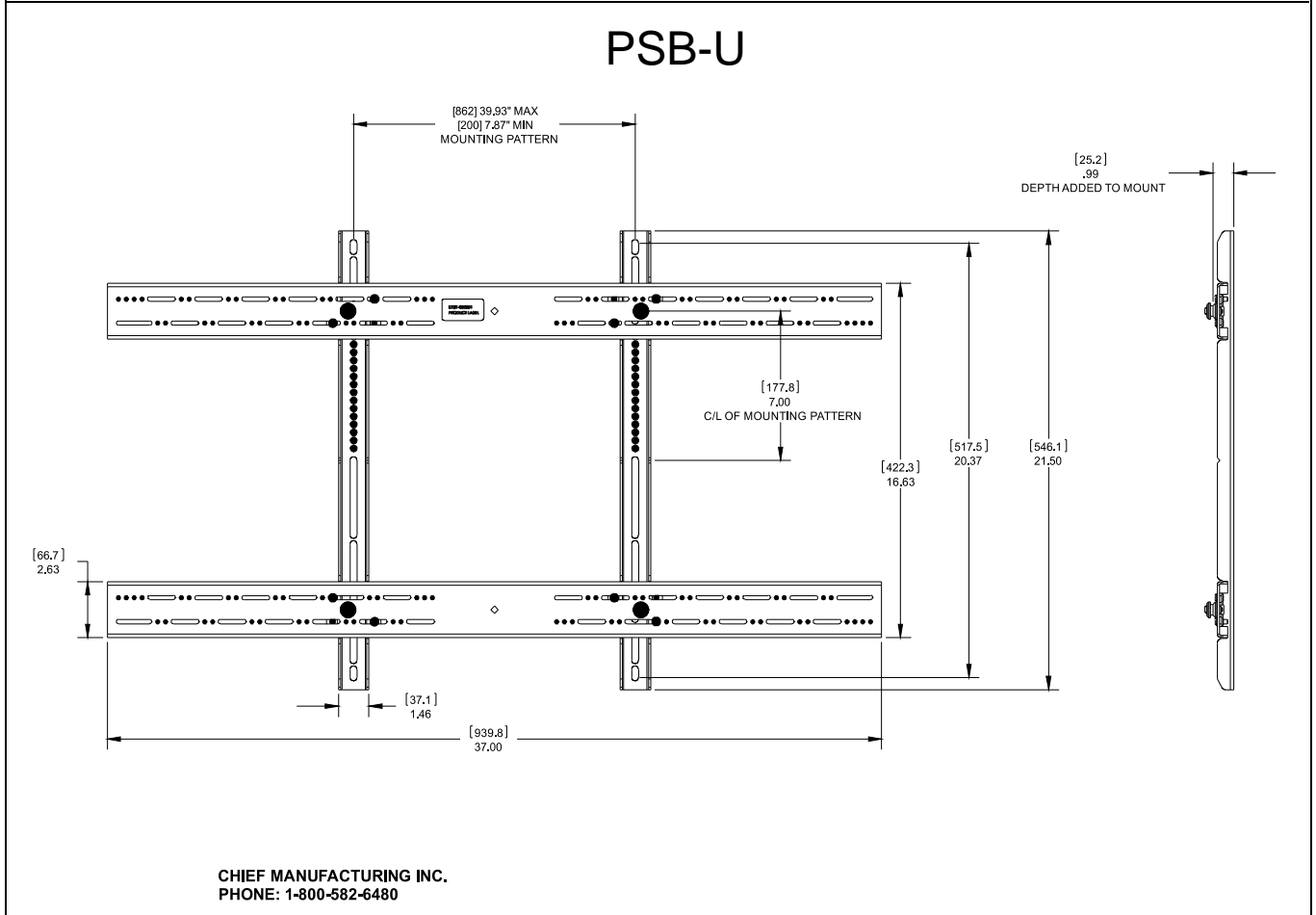
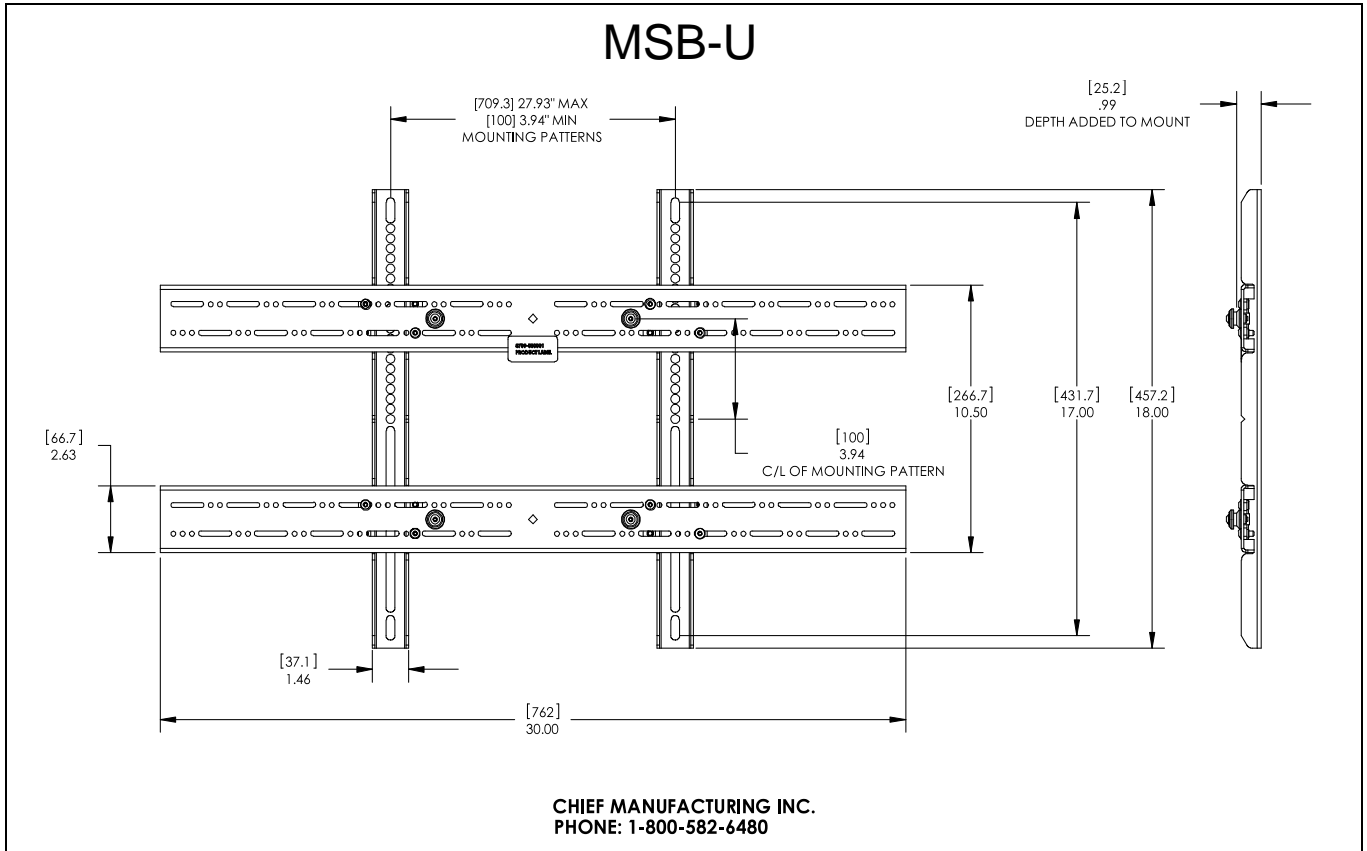
WARNING: Failure to read, thoroughly understand, and follow all instructions can result in serious personal injury, damage to equipment, or voiding of factory warranty! It is the installer's responsibility to make sure all components are properly assembled and installed using the instructions provided.



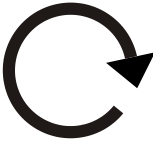
WARNING: Failure to provide adequate structural strength for this component can result in serious personal injury or damage to equipment! It is the installer's responsibility to make sure the structure to which this component is attached can support five times the combined weight of all equipment. Reinforce the structure as required before installing the component.




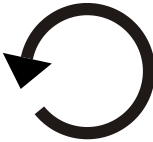
WARNING: Exceeding the weight capacity of the mount can result in serious personal injury or damage to equipment! It is the installer's responsibility to make sure the combined weight of the mount and all attached components does not exceed 125lbs (56.70kg) for the MSB-U or 200lbs (90.72kg) for the PSB-U.



LEGEND

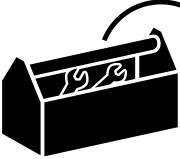
| | |
|---|------------------------------|
|  | Tighten Fastener |
| | Apretar elemento de fijación |
| | Befestigungsteil festziehen |
| | Apertar fixador |
| | Serrare il fissaggio |
| | Bevestiging vastdraaien |
| | Serrez les fixations |
| Сожмите Застежку | |


| | |
|---|-------------------------------|
|  | Phillips Screwdriver |
| | Destornillador Phillips |
| | Kreuzschlitzschraubendreher |
| | Chave de fendas Phillips |
| | Cacciavite a stella |
| | Kruiskopschroevendraaier |
| | Tournevis à pointe cruciforme |
| Отвертка | |

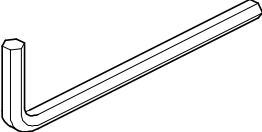
| | |
|---|------------------------------|
|  | Loosen Fastener |
| | Aflojar elemento de fijación |
| | Befestigungsteil lösen |
| | Desapertar fixador |
| | Allentare il fissaggio |
| | Bevestiging losdraaien |
| | Desserrez les fixations |
| Ослабьте Застежку | |

| | |
|---|---------------------------|
|  | Hex-Head Wrench |
| | Llave de cabeza hexagonal |
| | Sechskantschlüssel |
| | Chave de cabeça sextavada |
| | Chiave esagonale |
| | Zeskantsleutel |
| | Clé à tête hexagonale |
| Ключ с шестигранной головкой | |


TOOLS REQUIRED FOR INSTALLATION AND PARTS

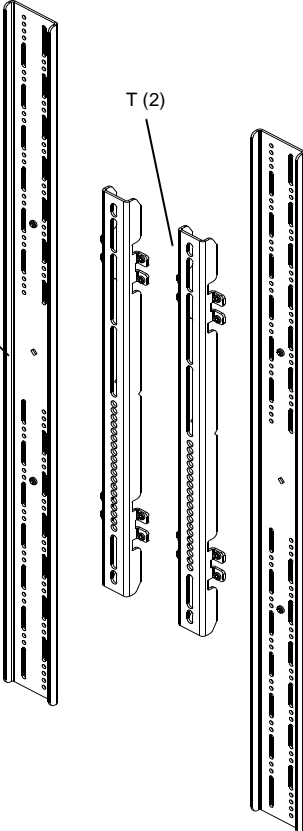






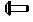




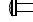


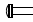
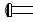
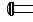
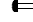
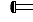
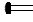





1/8" (provided)





S (2)

T (2)

| | | |
|---|---|---|
| <p>A (8) (Bag A) #10-24 x 1/2" </p> <p>B (6) (Bag B) M8 x 16mm </p> <p>C (6) (Bag C) M8 x 20mm </p> <p>D (6) (Bag D) M8 x 35mm </p> <p>E (8) (Bag E) M6 x 16mm </p> <p>F (8) (Bag F) M6 x 20mm </p> <p>G (8) (Bag G) M6 x 35mm </p> <p>S (4) (Bag Q) M8 x 60mm </p> | <p>H (8) (Bag H) M5 x 16mm </p> <p>I (8) (Bag I) M5 x 25mm </p> <p>J (8) (Bag J) M5 x 40mm </p> <p>K (8) (Bag K) M4 x 16mm </p> <p>L (8) (Bag L) M4 x 25mm </p> <p>M (8) (Bag M) M4 x 40mm </p> | <p>N (8) (Bag N) .750" x .250" </p> <p>O(8) (Bag O) 20mm </p> <p>P(8) (Bag P) #10 </p> <p>Q(8) (Bag P) .318" x .078" </p> <p>R(8) (Bag P) .250" </p> |
|---|---|---|

INSTALLATION



WARNING: IMPROPER INSTALLATION CAN LEAD TO MOUNT FALLING CAUSING SERIOUS PERSONAL INJURY OR DAMAGE TO EQUIPMENT! DO NOT substitute hardware. Only use hardware provided or specified by manufacturer.

1. Determine and mark the vertical center position between the Left side Upper and Lower mounting holes in display. (See Figure 1)
2. Determine and mark the vertical center position between the Right side Upper and Lower mounting holes in display. (See Figure 1)
3. Orient vertical mounting bracket (T) so that mounting holes are on top and mounting slots are on bottom. (See Figure 1)
4. Align mounting holes in vertical mounting bracket (T) with upper and lower mounting holes in display.
5. Adjust vertical mounting bracket (T) position until mark made in step 1 aligns with center mark in vertical mounting bracket (T).
6. Secure Left side vertical mounting bracket (T) to display using two flat washer (R), and Phillips pan head screws (B through M). (See Figure 2)

NOTE: If the display has a recessed mounting surface, protrusions or a power box, a spacer and longer mounting hardware must be placed between the display and vertical mounting bracket (T). (See Figure 2)

7. Repeat steps 3 through 6 for Right side vertical mounting bracket using the same hole locations to align brackets horizontally.

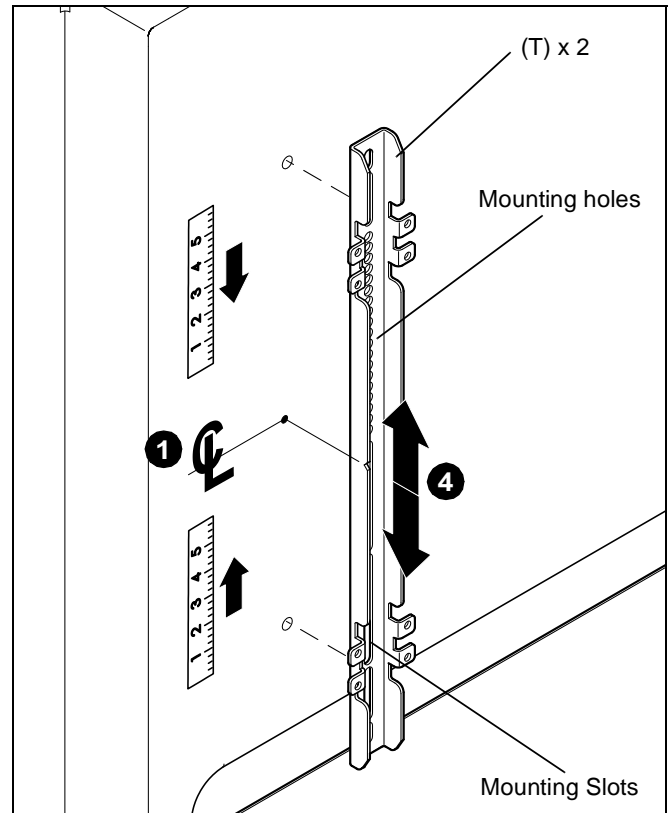


Figure 1

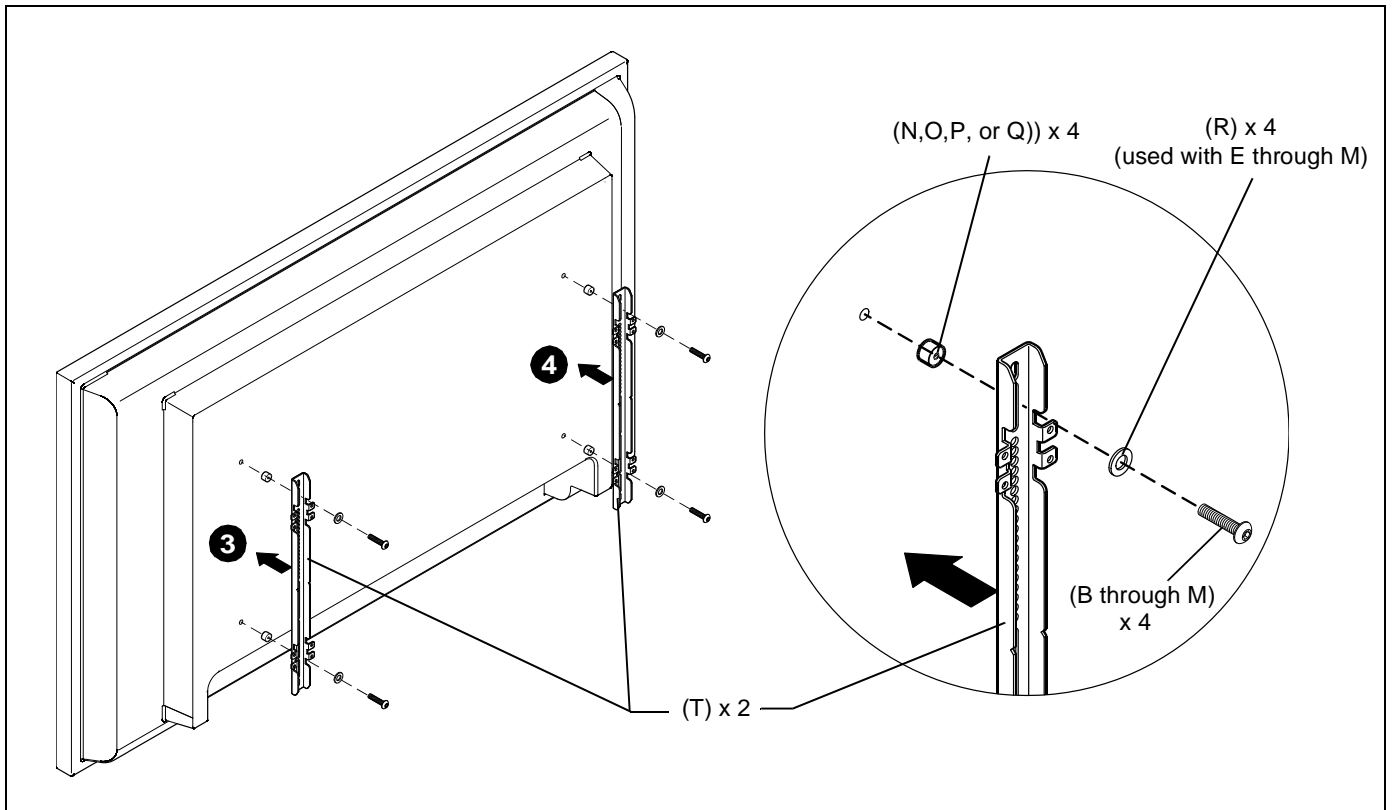


Figure 2

8. Determine and mark the horizontal center position between the Left and Right *TOP* mounting holes in display. (See Figure 3)
9. Determine and mark the vertical center position between the Left and Right *BOTTOM* mounting holes in display. (See Figure 3)
10. Orient upper horizontal mounting bracket (S) so that flanges are facing towards display and resting in recessed area of left and right vertical mounting brackets (T). (See Figure 1)
11. Adjust Upper horizontal mounting bracket (S) position until center diamond in horizontal mounting bracket (S) aligns with mark made in step 8 and mounting holes and slots horizontal mounting bracket (S) are aligned with threaded holes in mounting tabs of left and right vertical mounting brackets (T). (See Figure 3) and (See Figure 4)
12. Secure upper horizontal mounting bracket (S) to left and right vertical mounting brackets (T) using four Button head cap screws (A). (See Figure 4)
13. Repeat steps 10 through 12 for lower horizontal mounting bracket (S).

IMPORTANT ! : The orientation of, and mounting holes used, when installing the lower horizontal mounting bracket must be the same as the upper horizontal mounting bracket. Vertically align upper and lower brackets by aligning holes or end of slots. (See Figure 4)

IMPORTANT ! : Whenever possible install mounting screws diagonally as shown in detail in figure 4 below.

14. Install display with universal interface to mount following the installation instructions provided with the mount.

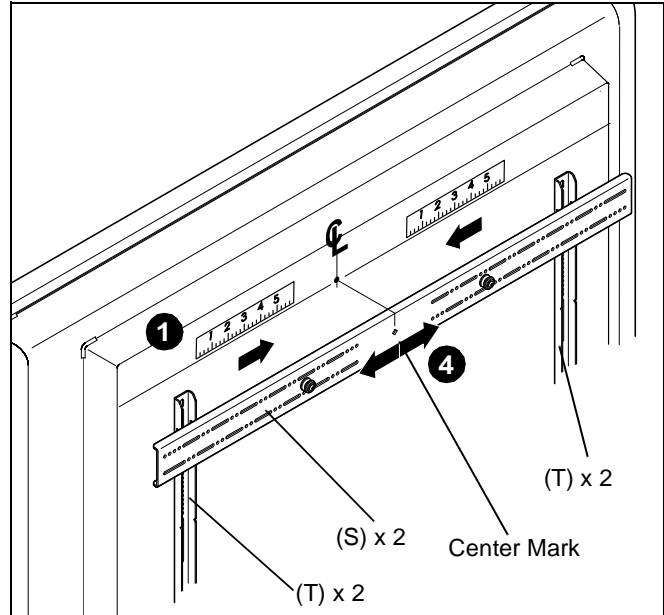


Figure 3

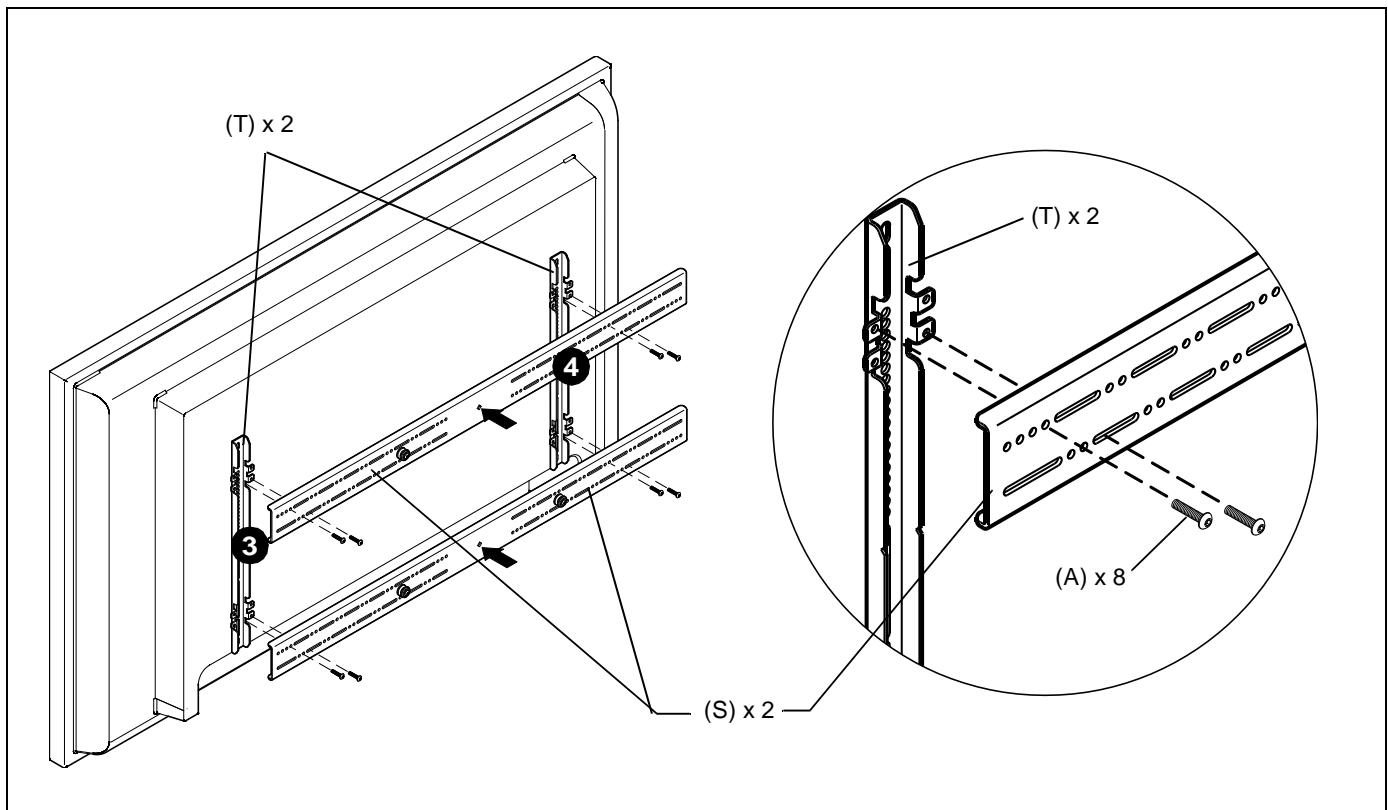


Figure 4



8805-000217 RevA
©2007 Chief Manufacturing
www.chiefmfg.com
04/07

| | |
|--------------------------|---|
| USA/International | A 8401 Eagle Creek Parkway, Savage, MN 55378 P 800.582.6480 / 952.894.6280 F 877.894.6918 / 952.894.6918 |
| Europe | A Fellenoord 130 5611 ZB EINDHOVEN, The Netherlands P +31 40 2668620 F +31 (0) 40 2668615 |
| Asia Pacific | A Room 30I, Block D, Lily YinDu International Building LuoGang, BuJi Town, Shenzhen, CHINA. Post Code: 518112 深圳市布吉罗岗百合银都国际大厦D栋30I P +86-755-8996 9226 ; 8996 9236 ; 8996 9220 F +86-755-8996 9217 |