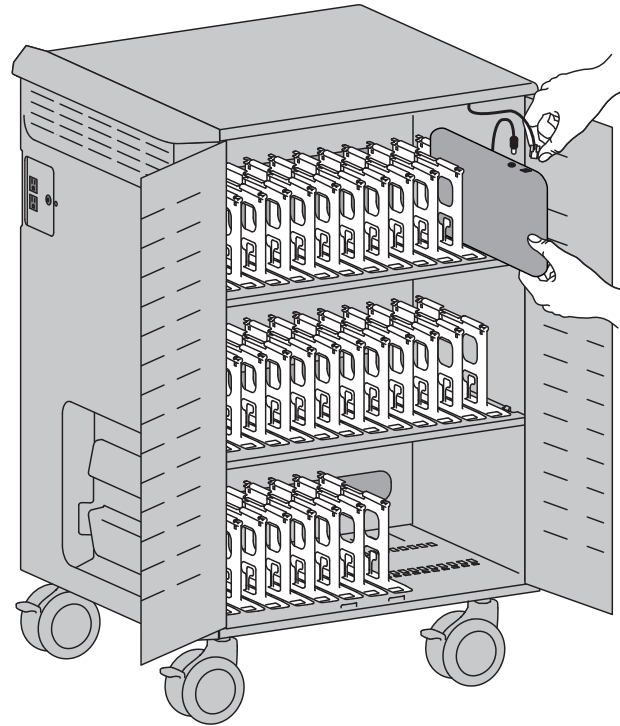
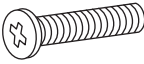
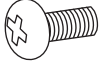




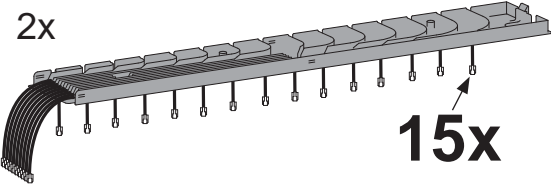
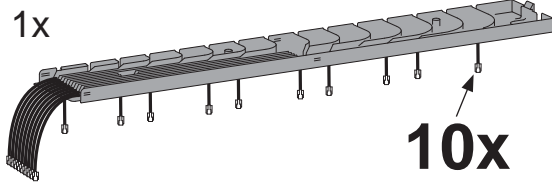


# Ethernet Channel Upgrade Kit for Zip40 Charging Cart

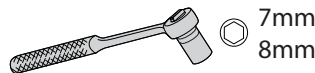
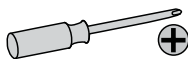


## Components



	A	B	C	D	E	E
1	<p>9x</p>  <p>M4 x 15mm</p>	<p>4x</p>  <p>M5 x 10mm</p>	<p>4x</p>  <p>M5</p>	<p>1x</p> 	<p>3x</p> 	<p>3x</p>  <p>M4</p>
2	<p>2x</p>  <p>15x</p>			<p>1x</p>  <p>10x</p>		

## Tools Needed



For the latest User Installation Guide please visit: [www.ergotron.com](http://www.ergotron.com)



User's Guide - English  
 Guía del usuario - Español  
 Manuel de l'utilisateur - Français  
 Gebrauchsgids - Deutsch  
 Benutzerhandbuch - Nederlands  
 Guida per l'utente - Italiano  
 Användarhandbok - svenska  
 ユーザーガイド : 日本語  
 用户指南 : 汉语







[www.ergotron.com](http://www.ergotron.com)


USA 1-800-888-8458  
 Europe +31 (0)33-45 45 600  
 China 400-120-3051

# Hazard Symbols Review

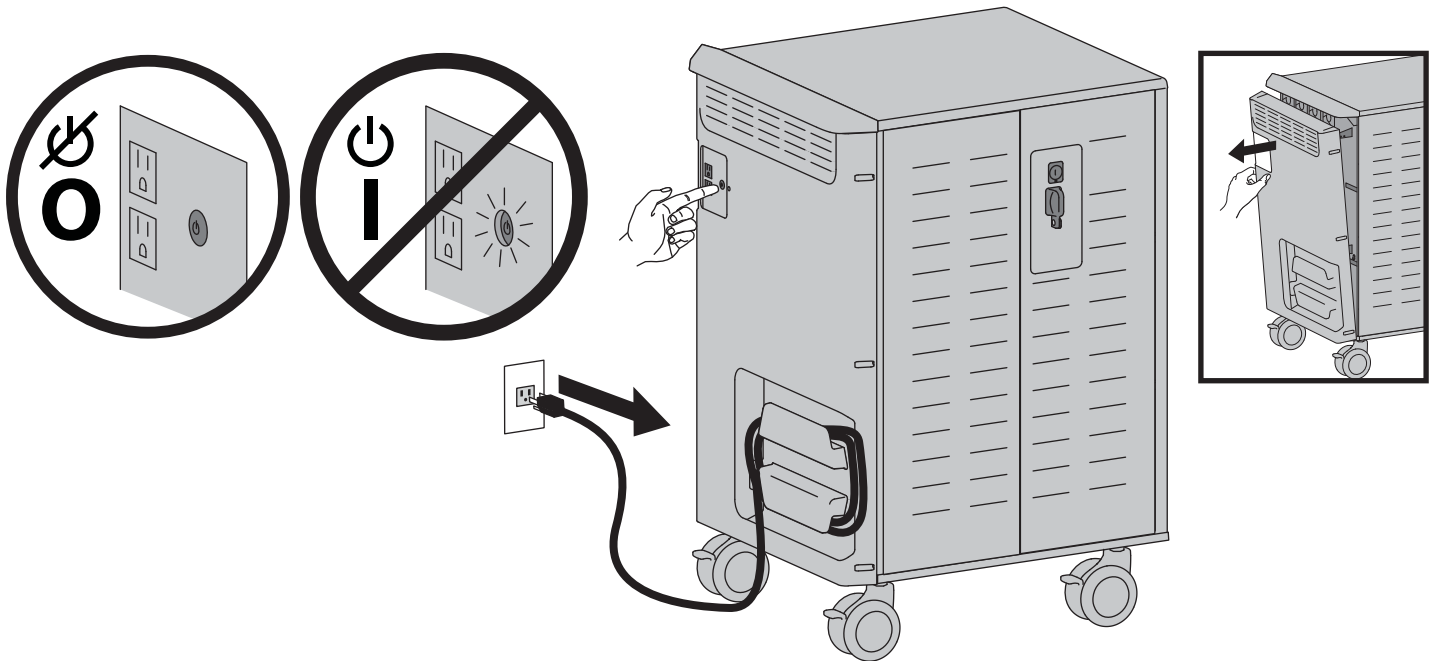
These symbols alert users of a safety condition that demands attention. All users should be able to recognize and understand the significance of the following Safety Hazards if encountered on the product or within the documentation. Children who are not able to recognize and respond appropriately to Safety Alerts should not use this product without adult supervision!

Symbol	Signal Word	Level of Hazard
	<b>NOTE</b>	A NOTE indicates important information that helps you make better use of this product.
	<b>CAUTION</b>	A CAUTION indicates either potential damage to hardware or loss of data and tells you how to avoid the problem.
	<b>WARNING</b>	A WARNING indicates either potential for property damage, personal injury, or death.
	<b>ELECTRICAL</b>	An Electrical indicates an impending electrical hazard which, if not avoided, may result in personal injury, fire and/or death.

## Safety

 **Warning: Unplug power cable from outlet and make sure power button is turned off before removing side cover. Removing side cover with power on may cause equipment damage and/or serious personal injury.**

ENGLISH



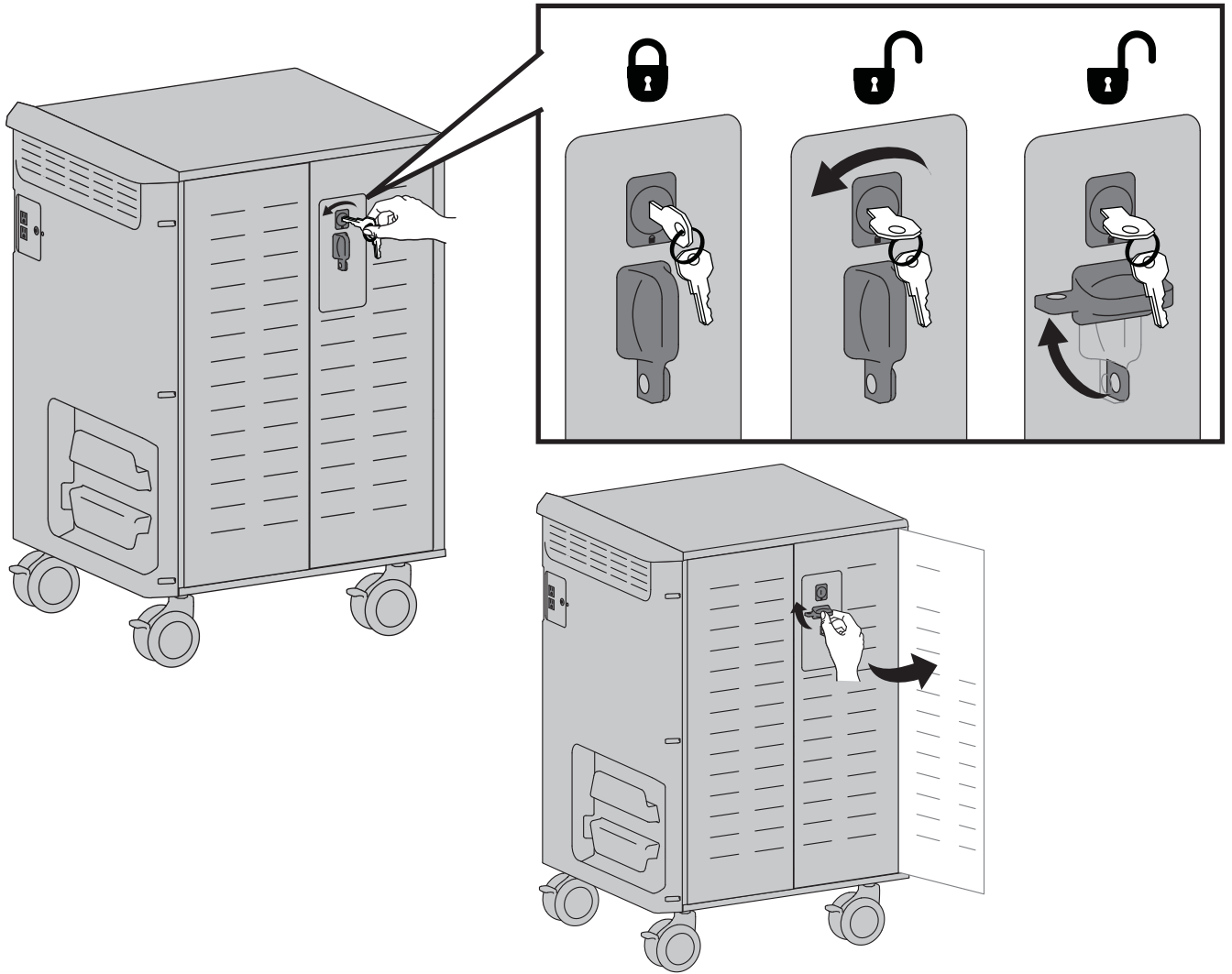
**WARNING**  
**MOVING PARTS CAN CRUSH AND CUT**  
 Unplug power cord.  
 DO NOT place hands on or near fans.  
 Placing hands on or near fans may cause equipment damage and/or serious personal injury.



828-196

 **WARNING: MOVING PARTS CAN CRUSH AND CUT. Unplug power cord. DO NOT place hands on or near fans. Placing hands on or near fans may cause equipment damage and/or serious personal injury.**

# 1 Open doors.



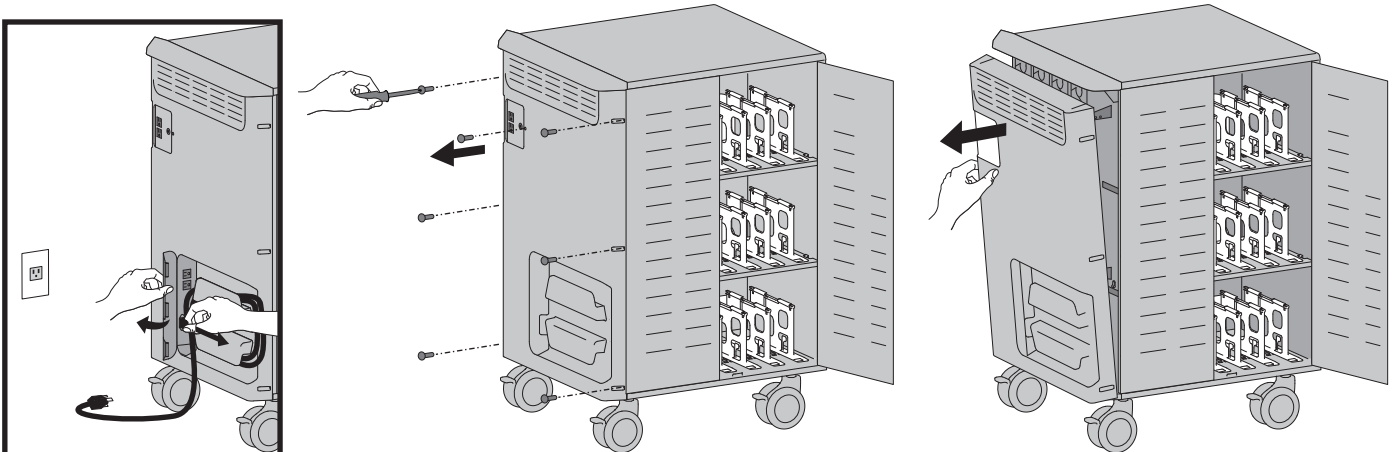
# 2 Unplug power cable from cart and remove side cover.

**⚠ WARNING**  
**MOVING PARTS  
CAN CRUSH AND CUT**  
Unplug power cord.  
DO NOT place hands on or near fans.  
Placing hands on or near fans may  
cause equipment damage and/or  
serious personal injury.



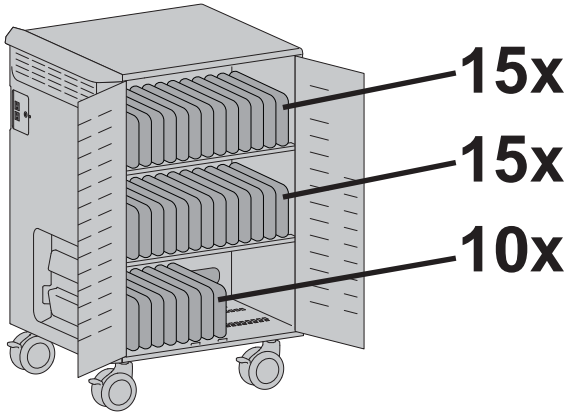
828-196

**⚠ WARNING: MOVING PARTS CAN CRUSH AND CUT. Unplug power cord. DO NOT place hands on or near fans. Placing hands on or near fans may cause equipment damage and/or serious personal injury.**



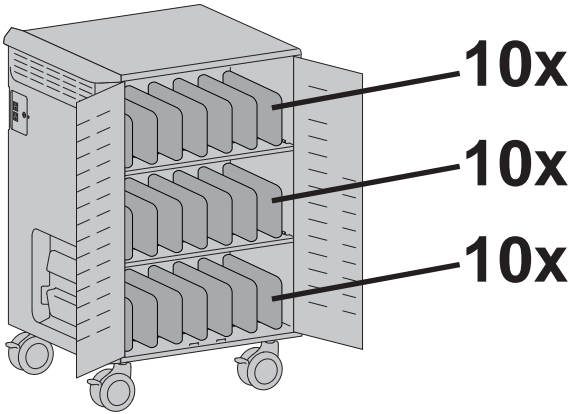
### 3 Choose configuration for number of devices.

40x



For 40 device configuration, skip to step 5.

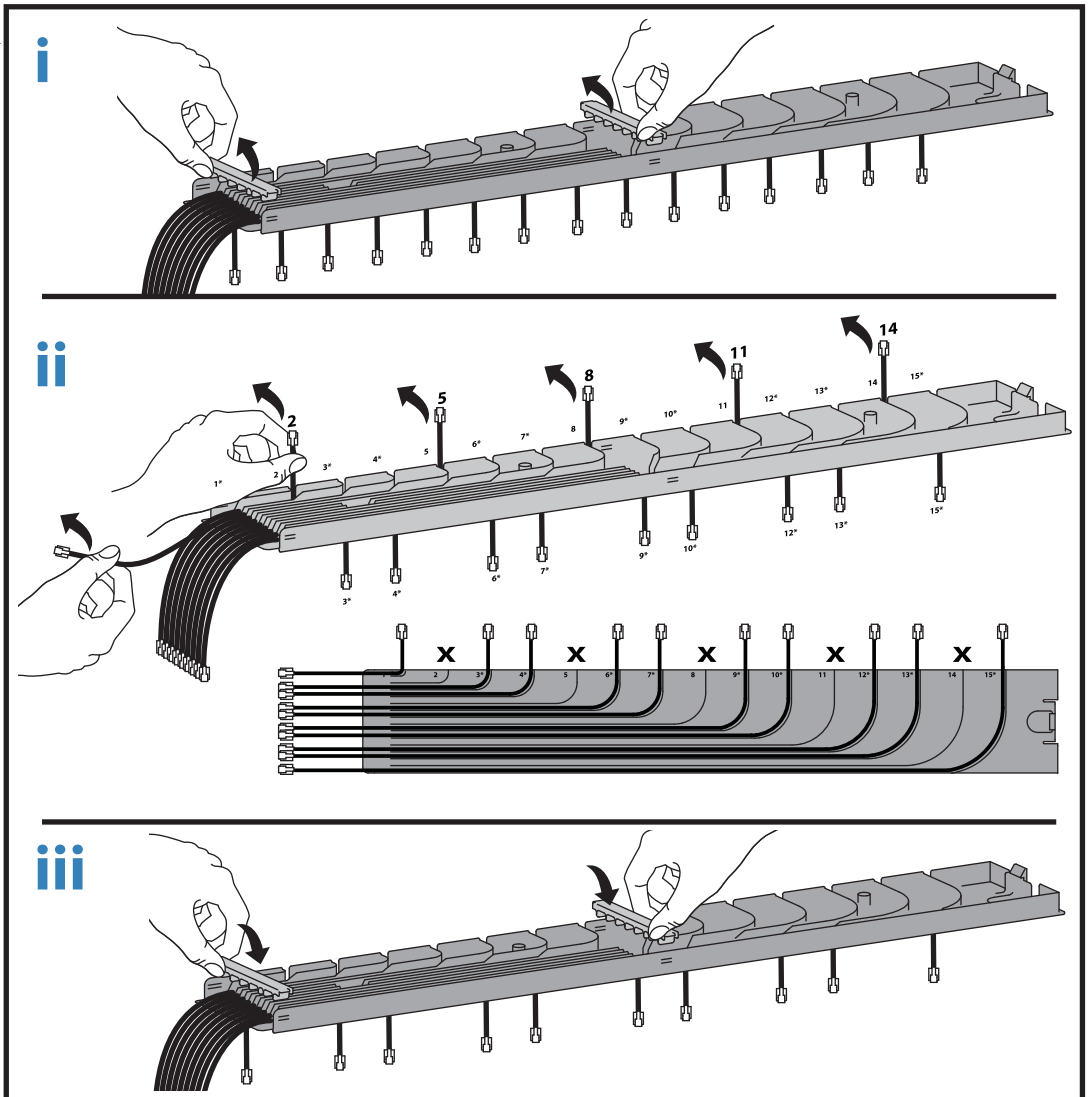
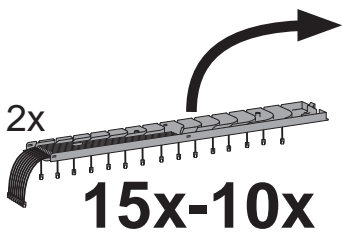
30x



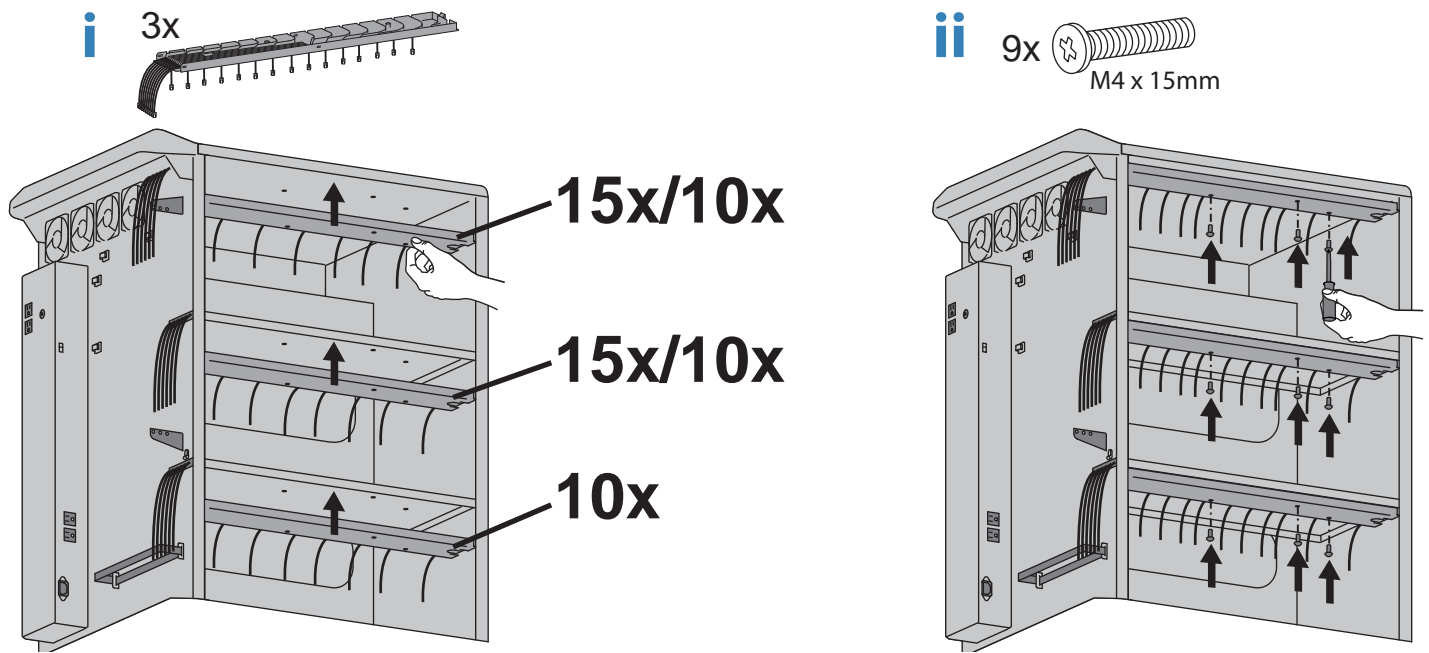
To configure for 30 devices, remove 5 cables from each of the 2 trays with 15 cables.

- i. Remove cable clips.
- ii. Remove Ethernet cables in rows 2, 5, 8, 11, 14 and keep or route cables in rows 1\*, 3\*, 4\*, 6\*, 7\*, 9\*, 10\*, 12\*, 13\*, 15\*.
- iii. Reattach cable clips.

ENGLISH



## 4 Route ethernet cables through side channels and attach cable trays.



## 5 Route ethernet cable through 'P' clips and attach clips to cart.

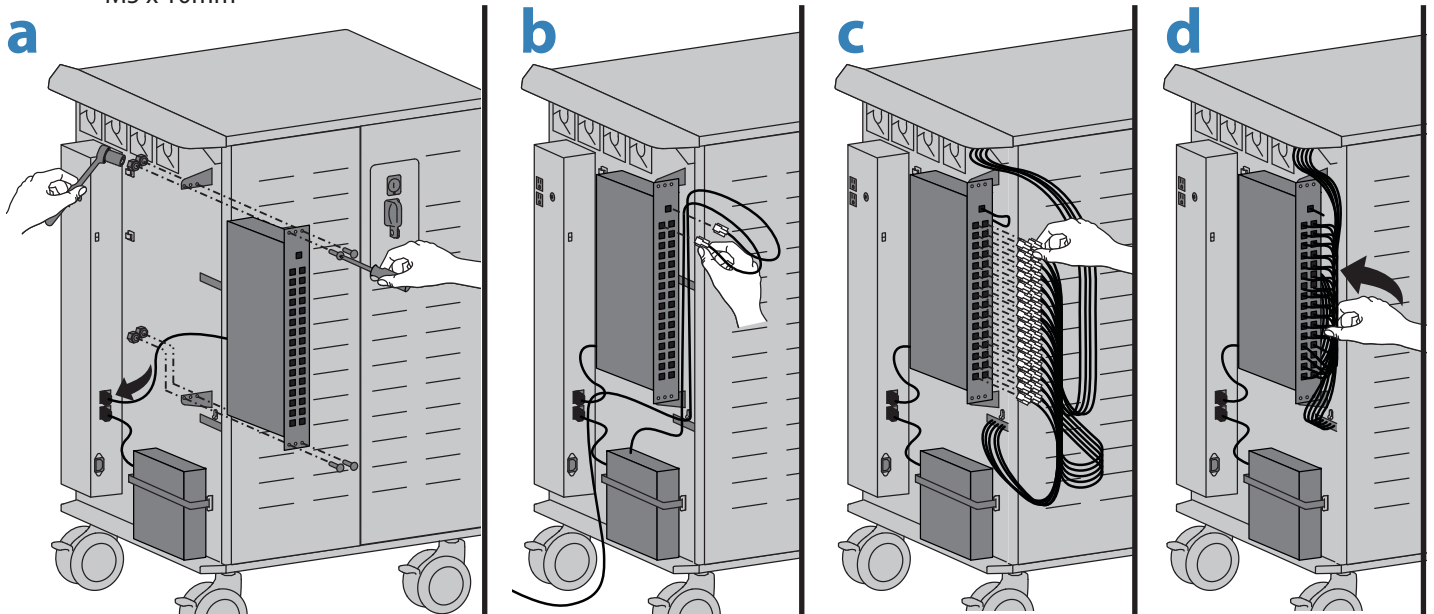


## 6 Switch installation (not included).

Max Dimensions of Switch  
(Must meet 1U Rack Mount Standard)  
17.5"W x 12.4"H x 1.8"D (44x26x4.4 cm)

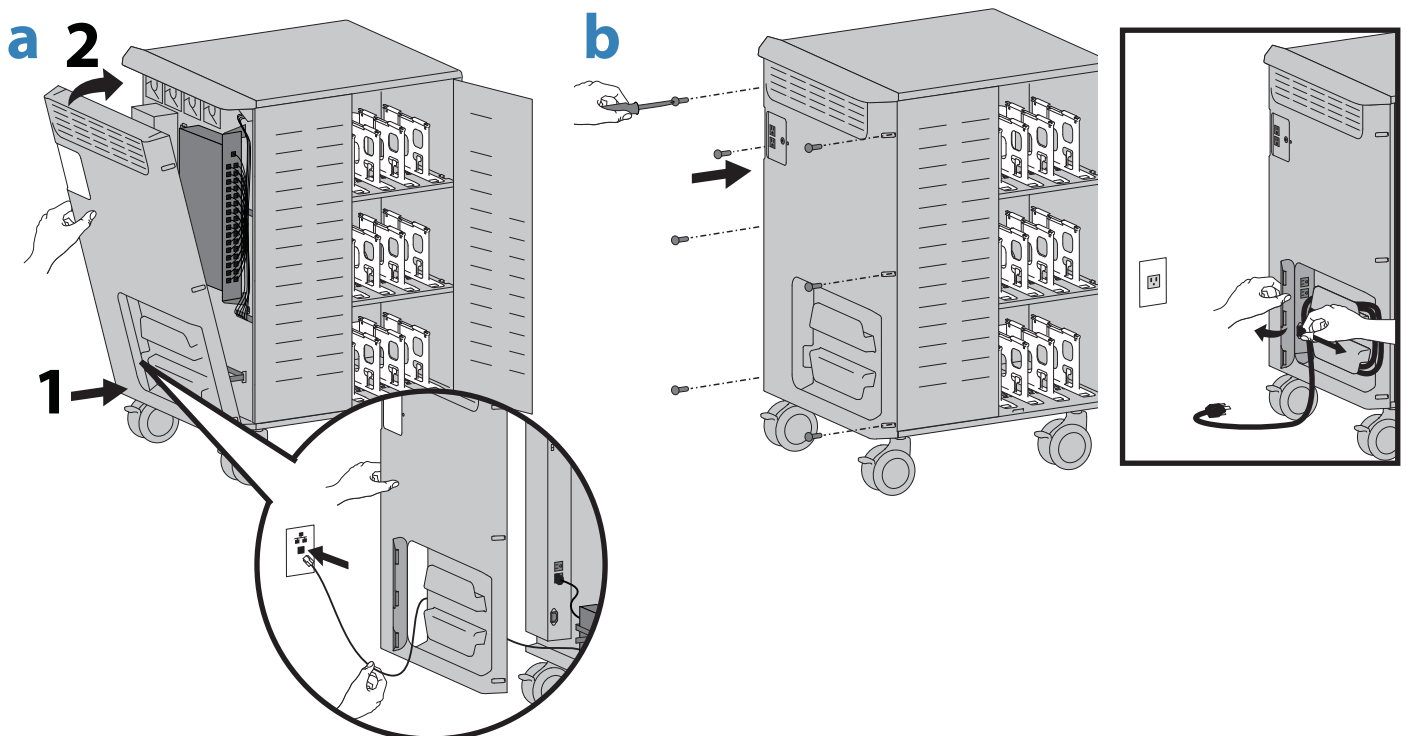
Ethernet switch attachment:

- Attach unit to cart.
- Plug in external Ethernet cable and WAP Ethernet cable to switch.
- Plug in Ethernet cables from devices.
- Store excess cables between switch and cart.
- Follow manufacturers instructions for WAP and Switch set up.

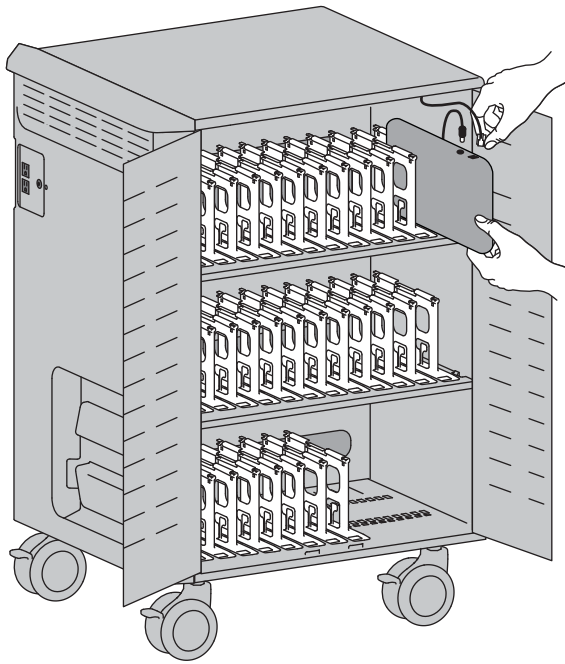


## 7 Attach side cover and plug power cable back into cart.

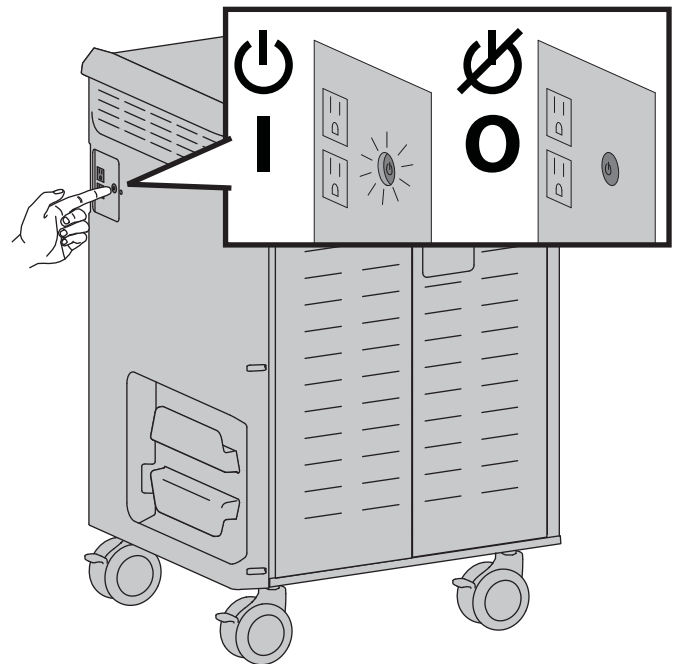
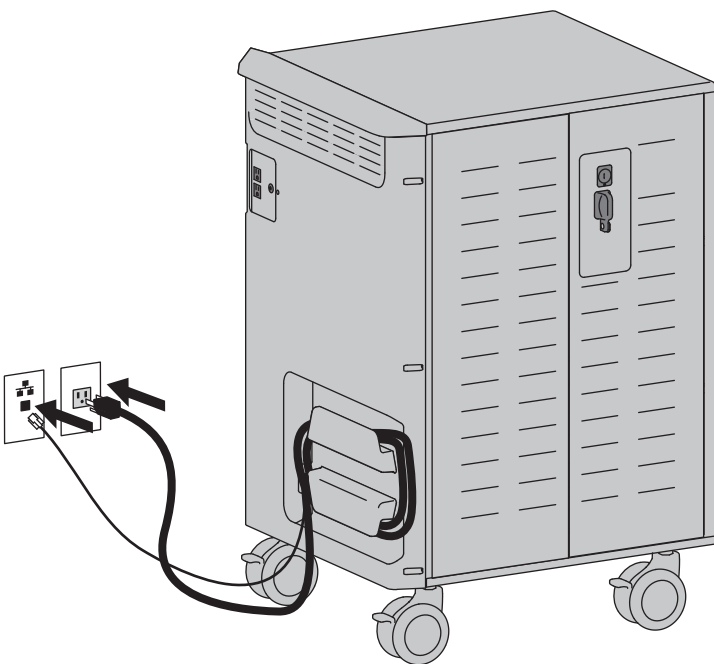
NOTE: Route external Ethernet cable through side cover access door.



## 8 Plug in and insert devices.



## 9 Plug in power and Ethernet cables and turn cart power on.



### Americas Sales and Corporate Headquarters

1181 Trapp Rd.  
St. Paul, MN USA  
(800) 888-8458  
+1-651-681-7600  
www.ergotron.com  
sales@ergotron.com

### EMEA Sales

Amersfoort, The Netherlands  
+31 33 45 45 600  
www.ergotron.com  
info.eu@ergotron.com

### APAC Sales

Tokyo, Japan  
www.ergotron.com  
apaccustomerservice@ergotron.com

### Worldwide OEM Sales

www.ergotron.com  
info.oem@ergotron.com

### ERGOTRON®

While Ergotron, Inc. makes every effort to provide accurate and complete information on the installation and use of its products, it will not be held liable for any editorial errors or omissions (including those made in the process of translation from English to another language), or for incidental, special or consequential damages of any nature resulting from furnishing this instruction and performance of equipment in connection with this instruction. Ergotron, Inc. reserves the right to make changes in the product design and/or product documentation without notification to its users. For the most current product information, or to know if this document is available in languages other than those herein, please contact Ergotron. No part of this publication may be reproduced, stored in a retrieval system, or transmitted in any form or by any means, electronic, mechanical, photocopying, recording or otherwise without the prior written consent of Ergotron, Inc., 1181 Trapp Road, Eagan, Minnesota, 55121, USA. Patents Pending and Patented U.S. & Foreign. Ergotron is a registered trademark of Ergotron, Inc.