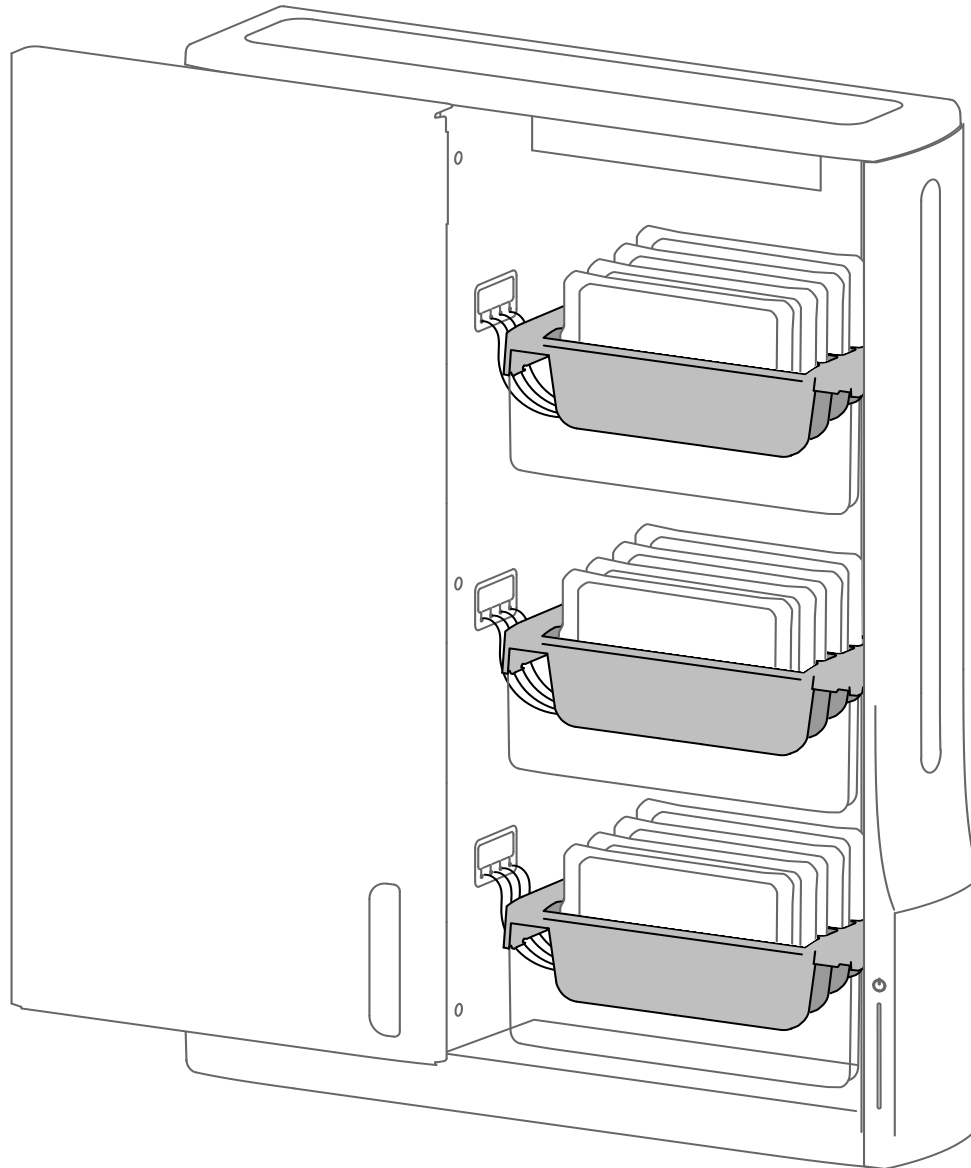


Zip12 Wall Cabinet Easy Charging Kit

for Samsung Galaxy Tab Active 8.0"



For the latest User Installation Guide please visit: www.ergotron.com



User's Guide - English
Guía del usuario - Español
Manuel de l'utilisateur - Français
Gebruikersgids - Deutsch
Benutzerhandbuch - Nederlands
Guida per l'utente - Italiano
Användarhandbok - svenska
ユーザーガイド : 日本語
用户指南 : 汉语



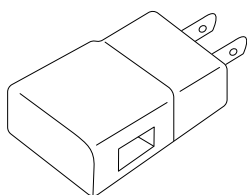
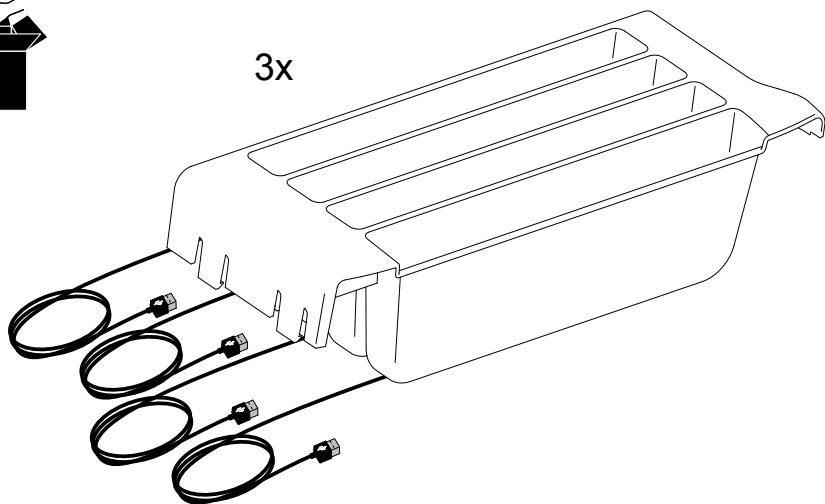
www.ergotron.com

USA 1-800-888-8458
Europe +31 (0)33-45 45 600
China 400-120-3051

Components



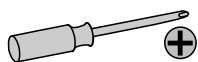
3x



USB wall chargers **NOT** included.
Use the USB wall chargers that come with your Samsung Galaxy Tab Active 8.0" .

ENGLISH

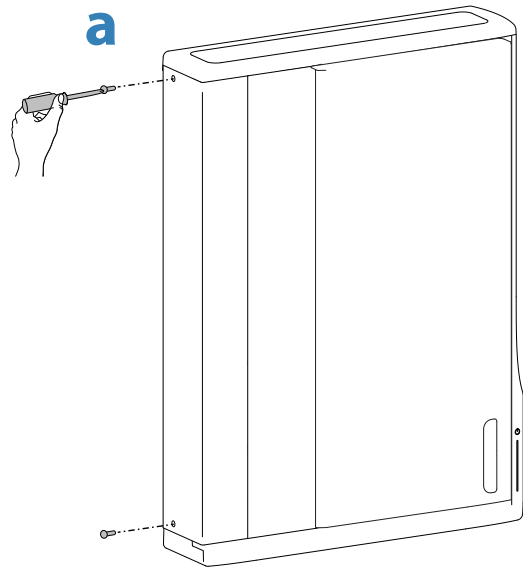
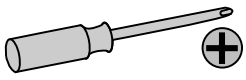
Tools Needed



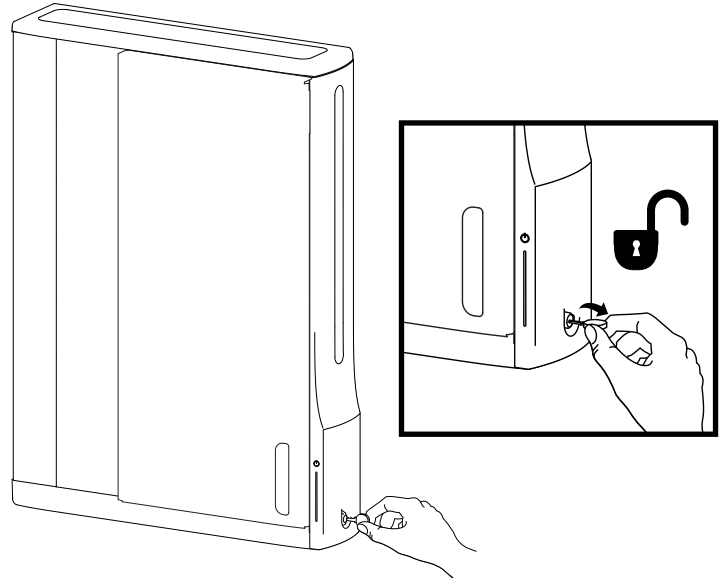
NOTES:

1. Only for use with Zip 12 Charging Wall Cabinet.
2. Product is designed to work best with Samsung provided case installed.

- 1** a. Remove two screws on left side. Save screws for reattaching cover.
b. Unlock door by turning key 180° clockwise, then turning door knob 180° clockwise.

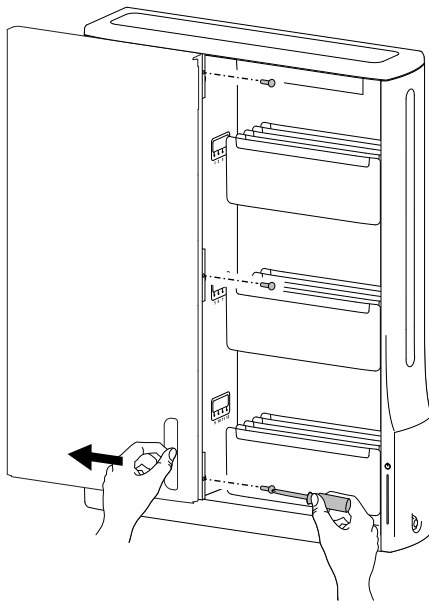


b

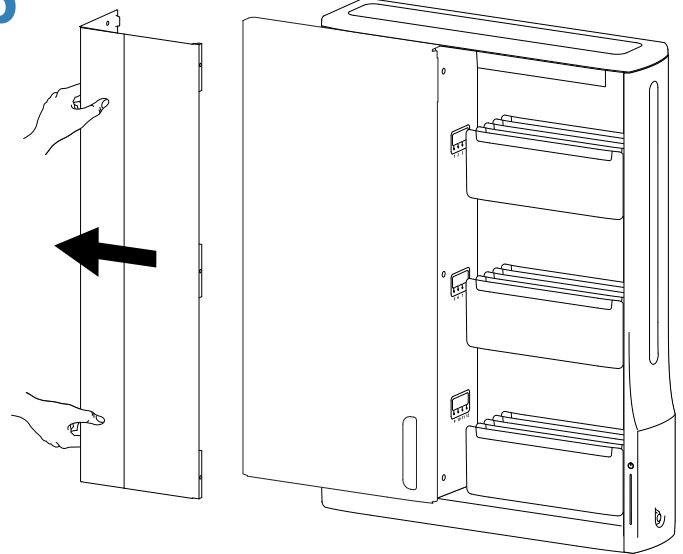


- 2** a. Slide door to the left and remove these 3 screws. Save screws for reattaching cover.
b. Remove left cover.

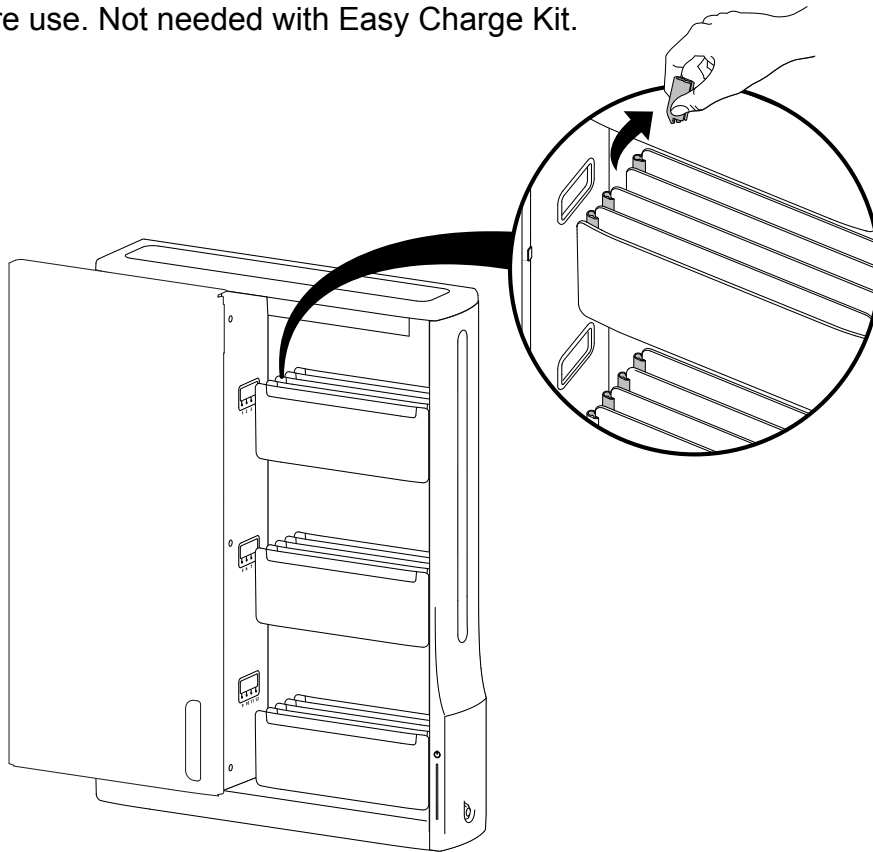
a



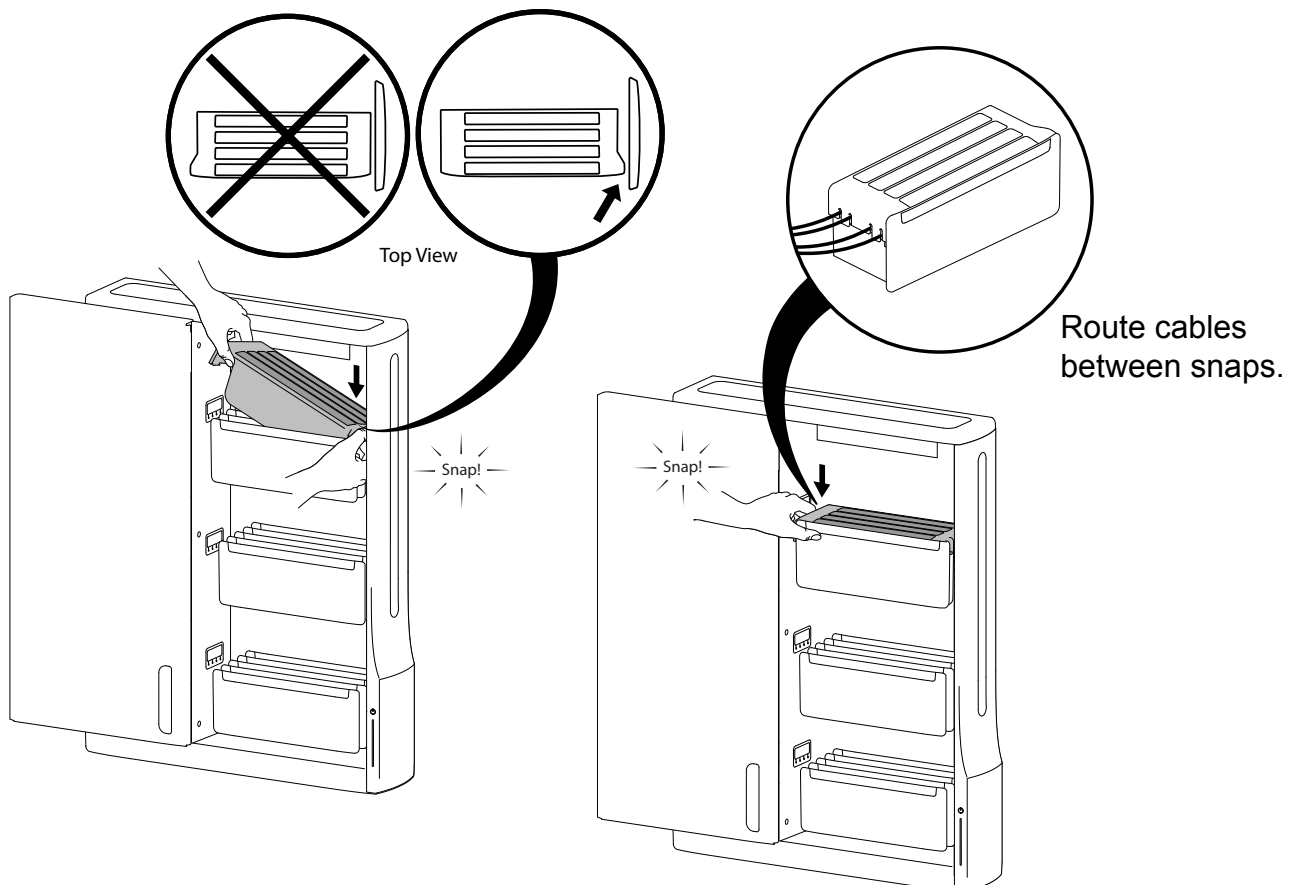
b



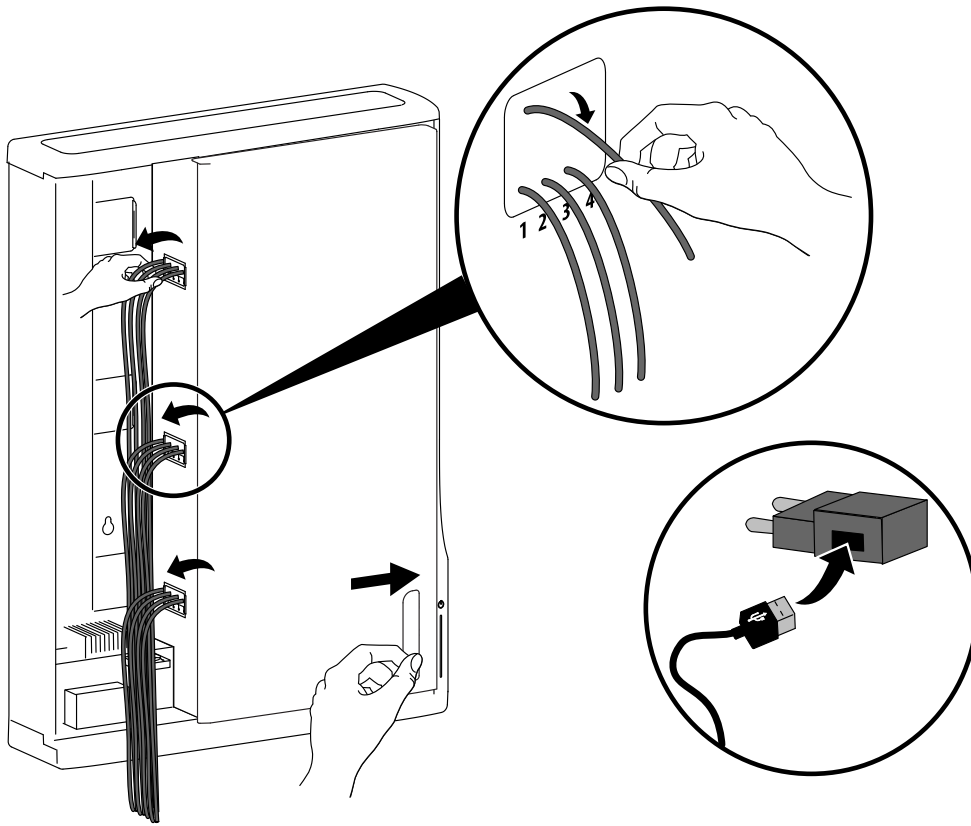
- 3** Remove snap clips from tablet tray edges.
Save for future use. Not needed with Easy Charge Kit.



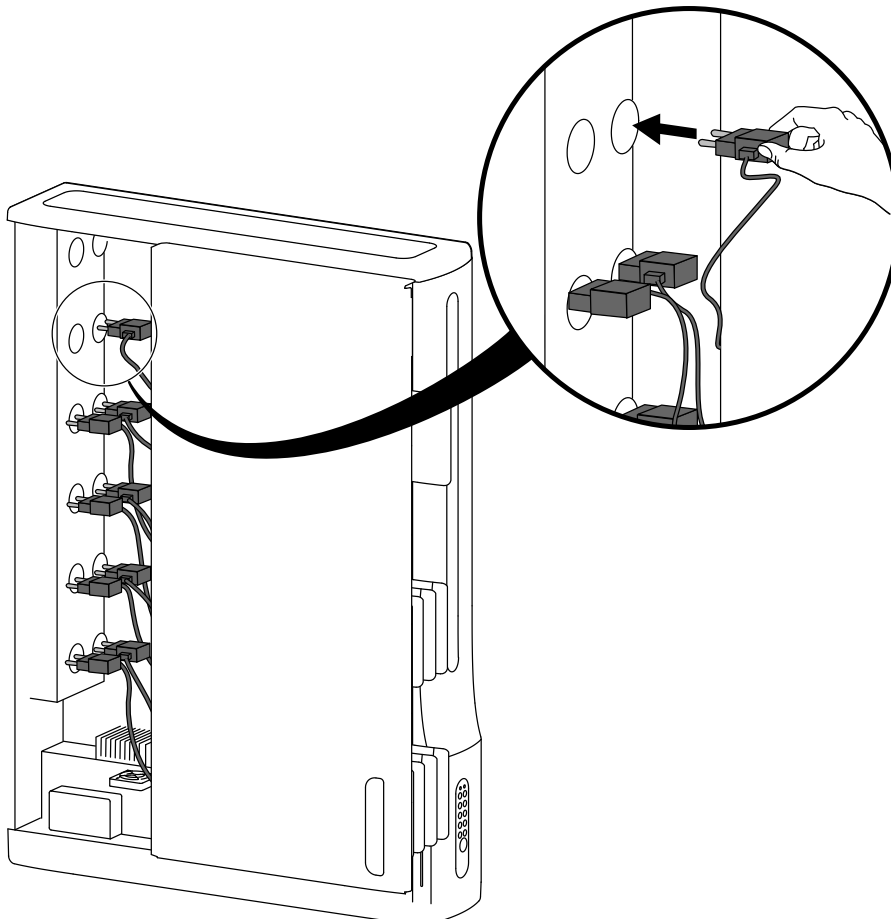
- 4** Place Easy Charge tray into tablet tray with the curved side towards the outer wall and cables on the left side. Press into place and listen for snaps to engage. Feed cables through holes in side wall.



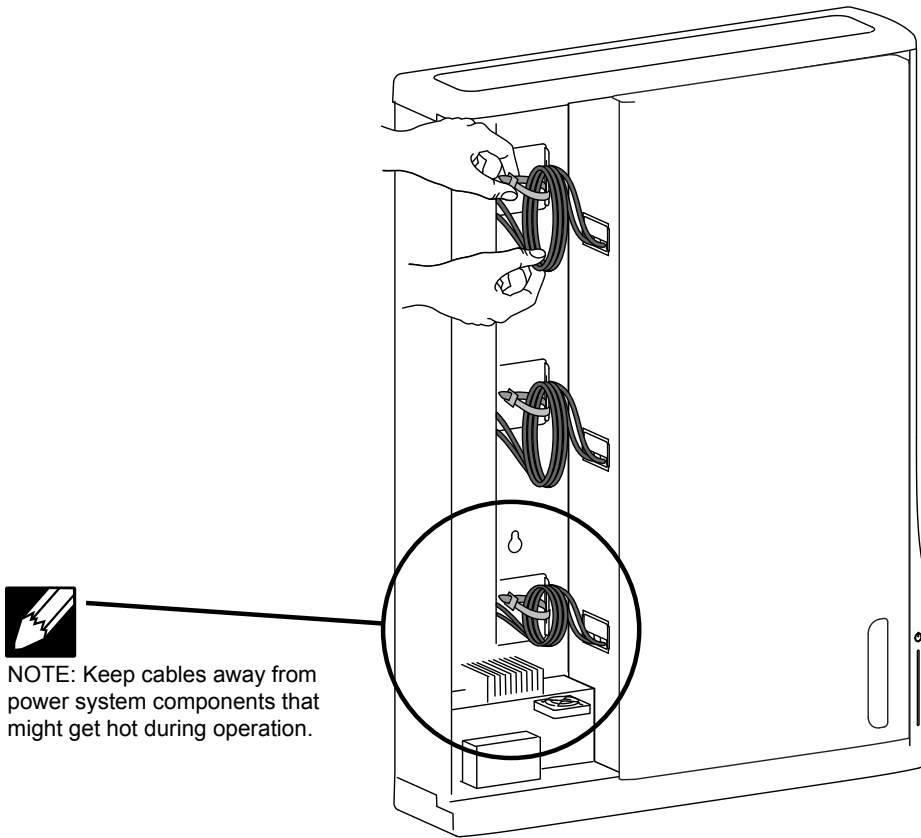
- 5** Pull USB cables through outer wall. Make sure cables are positioned one per slot and attach to USB wall chargers.



- 6** Plug in USB wall chargers. Face USB jacks towards each other.

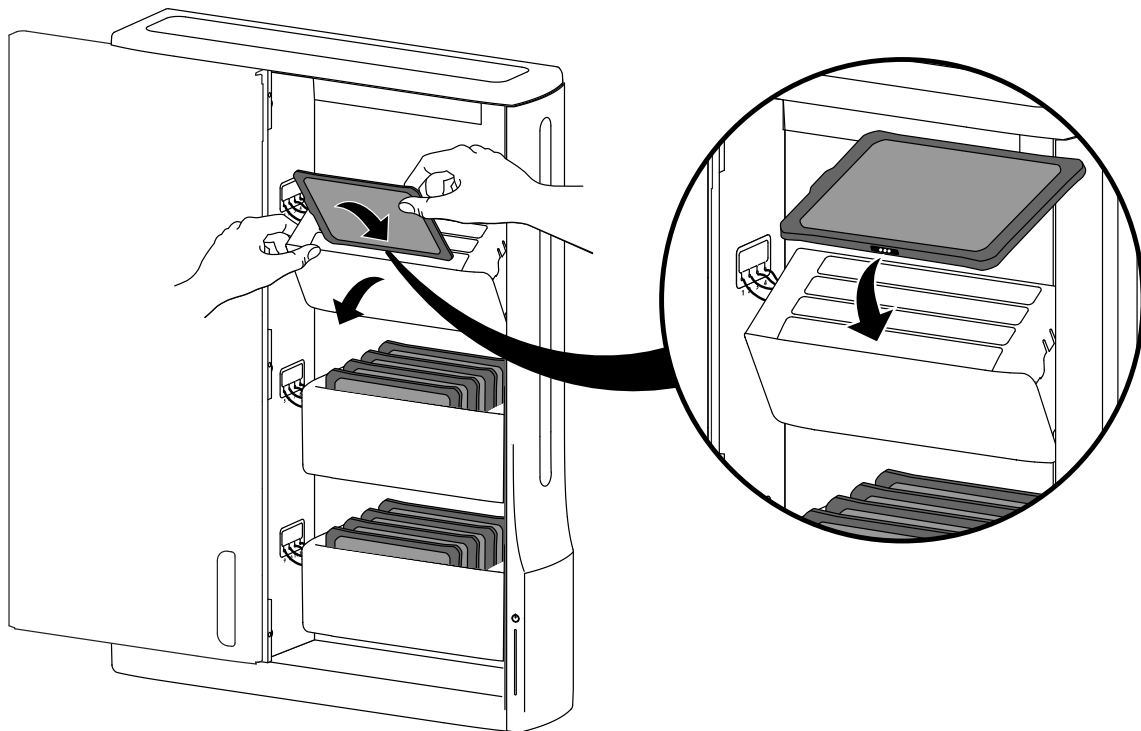


11 Tie up excess cable with velcro cable ties.



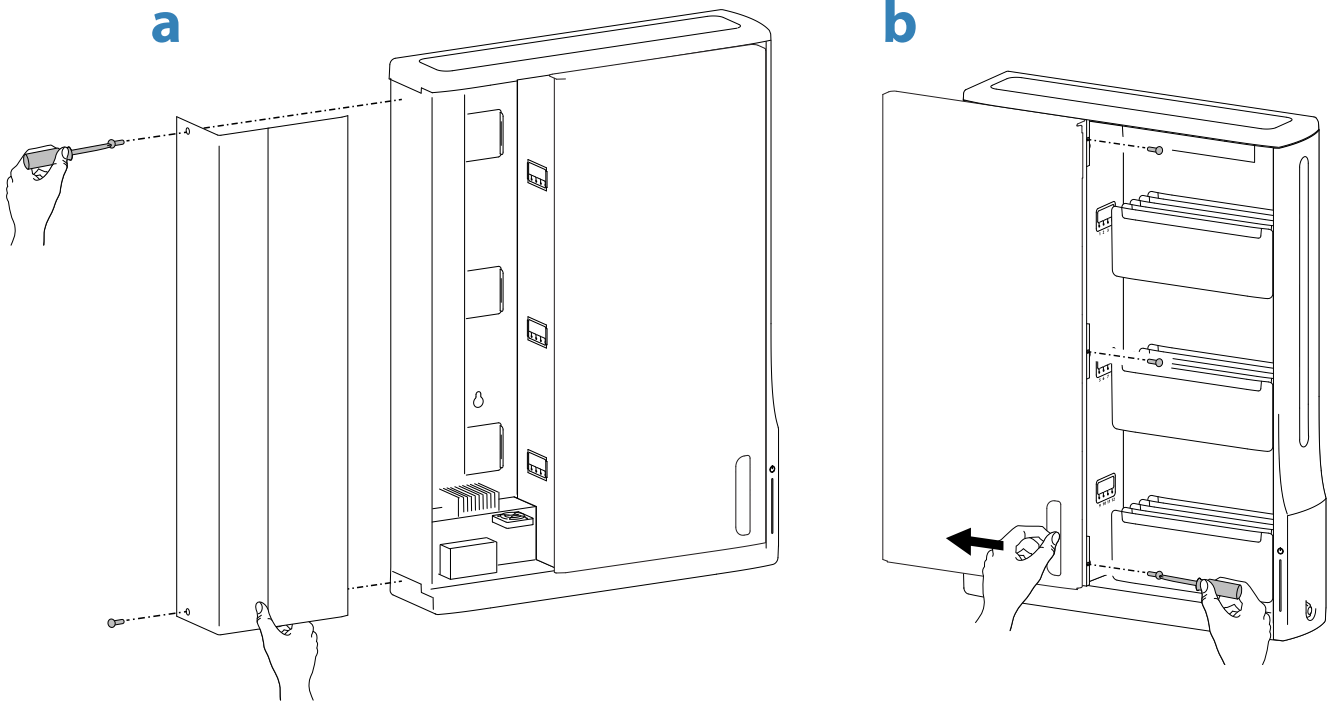
NOTE: Keep cables away from power system components that might get hot during operation.

12 Insert Samsung Galaxy Active Tab 8.0" into charging tray, screen facing outwards, pins on bottom.



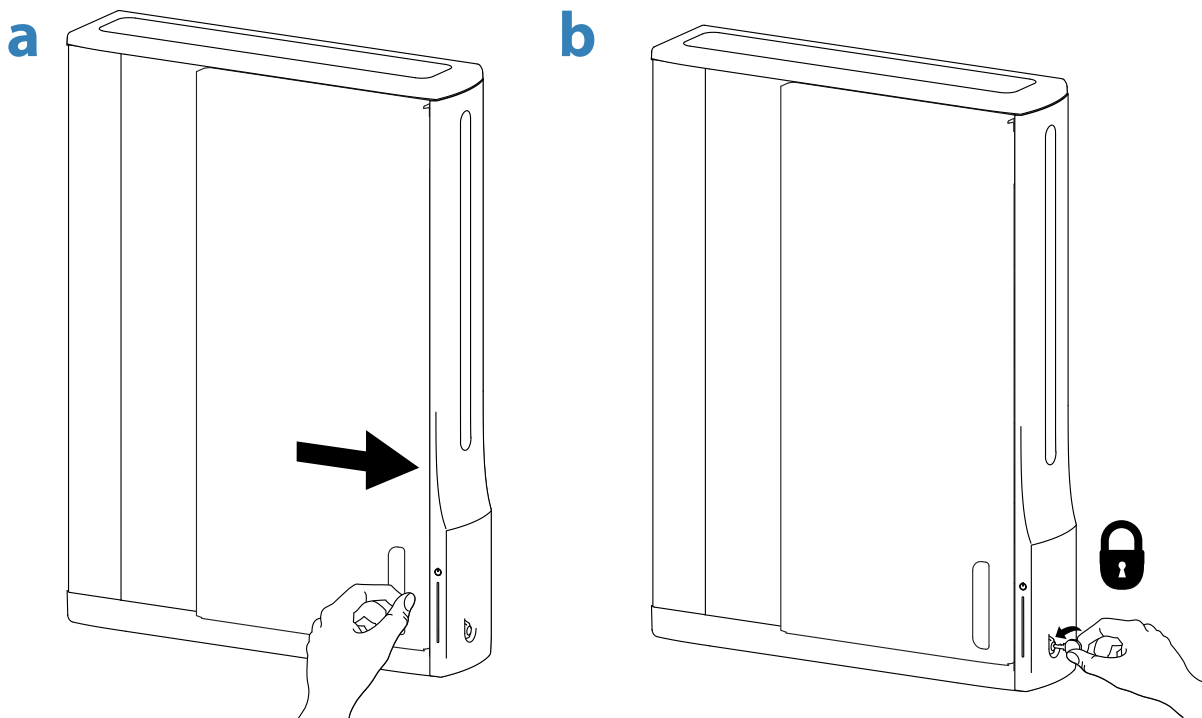
13

- a. Attach left cover with 2 screws saved from removal of cover.
- b. Open door and attach 3 inside screws saved from removal of left cover

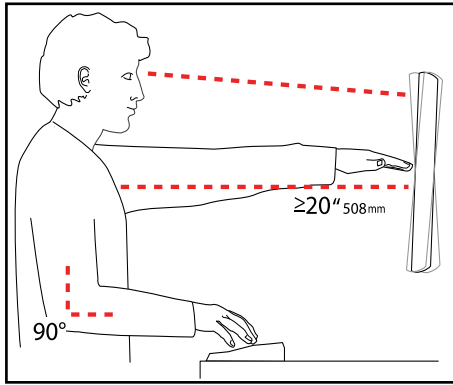


14

- a. Close door.
- b. Lock door by turning key 180° counterclockwise and turning knob 180° counterclockwise.



Set Your Workstation to Work For YOU!



Learn more about ergonomic computer use at:
www.computingcomfort.org

- Height** Position top of screen slightly below eye level.
Position keyboard at about elbow height with wrists flat.
- Distance** Position screen an arm's length from face—at least 20" (508mm).
Position keyboard close enough to create a 90° angle in elbow.
- Angle** Tilt screen to eliminate glare.
Tilt the keyboard back 10° so that your wrists remain flat.

To Reduce Fatigue
Breathe - Breathe deeply through your nose.
Blink - Blink often to avoid dry eyes.
Break • 2 to 3 minutes every 20 minutes
• 15 to 20 minutes every 2 hours.

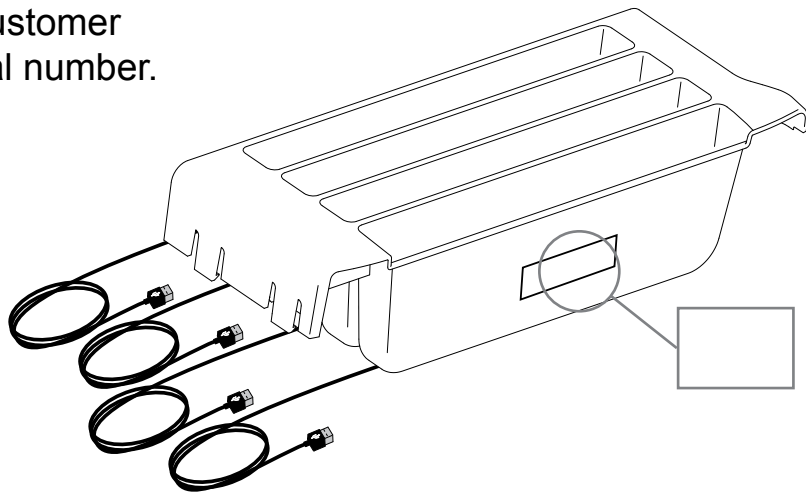
For Warranty visit: www.ergotron.com/warranty

For Service visit: www.ergotron.com

For local customer care phone numbers visit: <http://contact.ergotron.com>



NOTE: When contacting customer service, reference the serial number.



Americas Sales and Corporate Headquarters

1181 Trapp Rd.
St. Paul, MN USA
(800) 888-8458
+1-651-681-7600
www.ergotron.com
sales@ergotron.com

EMEA Sales

Amersfoort, The Netherlands
+31 33 45 45 600
www.ergotron.com
info.eu@ergotron.com

APAC Sales

Tokyo, Japan
www.ergotron.com
apaccustomerservice@ergotron.com

Worldwide OEM Sales

www.ergotron.com
info.oem@ergotron.com

ERGOTRON®

While Ergotron, Inc. makes every effort to provide accurate and complete information on the installation and use of its products, it will not be held liable for any editorial errors or omissions (including those made in the process of translation from English to another language), or for incidental, special or consequential damages of any nature resulting from furnishing this instruction and performance of equipment in connection with this instruction. Ergotron, Inc. reserves the right to make changes in the product design and/or product documentation without notification to its users. For the most current product information, or to know if this document is available in languages other than those herein, please contact Ergotron. No part of this publication may be reproduced, stored in a retrieval system, or transmitted in any form or by any means, electronic, mechanical, photocopying, recording or otherwise without the prior written consent of Ergotron, Inc., 1181 Trapp Road, Eagan, Minnesota, 55121, USA. Patents Pending and Patented U.S. & Foreign. Ergotron is a registered trademark of Ergotron, Inc.

© 2015 Ergotron, Inc. All rights reserved.