

# Model 8335

Adjustable CPU Mount



Sturdy, adjustable CPU holder isolates CPU from hazardous static electricity. Can be mounted directly to 8326 Vertical Mounting Track for space savings.

There are three size options to choose from:



**Model 8335-SM:**

Adjusts from 2" to 3" wide.



**Model 8335-MD:**

Adjusts from 3" to 5" wide.



**Model 8335-LG:**

Adjusts from 5" to 7" wide.

## FEATURES

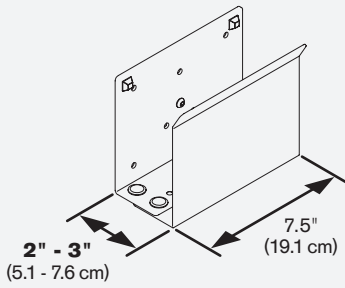
- ▲ Elevates CPU to save space
- ▲ Isolates CPU from hazardous static electricity
- ▲ Sturdy metal construction keeps CPU safe

# Model 8335

## Specifications

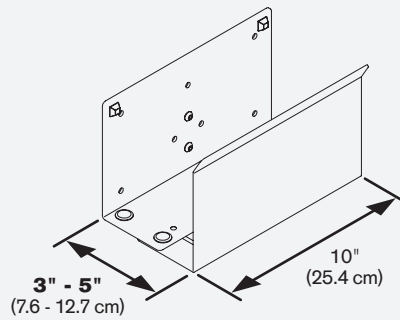
### 8335-SM

Adjusts to support CPUs  
from 2" - 3" wide.



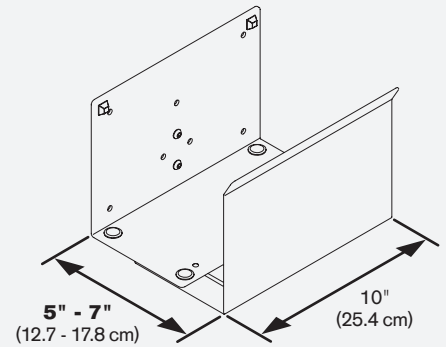
### 8335-SM

Adjusts to support CPUs  
from 3" - 5" wide.

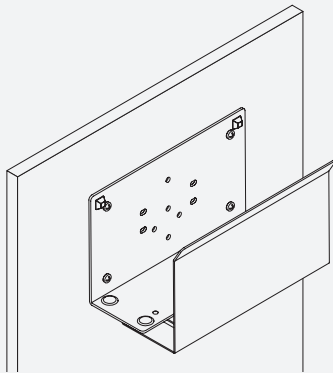


### 8335-LG

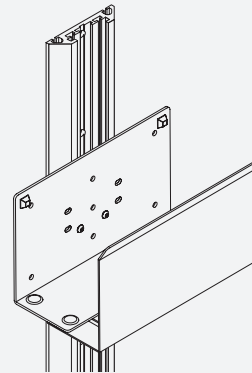
Adjusts to support CPUs  
from 5" - 7" wide.



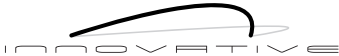
## MOUNTING OPTIONS



Mount to desk or wall.



Mount to wall track.  
(8326 Vertical Mounting Track)



Phone: 800.524.2744 | Fax: 610.253.9521 | E-mail: sales@LCDarms.com | Web: www.LCDarms.com

This product is protected by one or more of the following U.S. Patent Nos. and other United States and foreign patents applied for: 119,345, 119,346, 1,324,842, 2,470,525, 6,076,785, 6,273,383, 6,409,134, 6,478,274, 6,499,704, 6,505,988, 6,609,691, 6,19,606, 6,719,253, 6,726,167, 6,736,364, 6,783,105, 6,854,698, 6,915,994, 6,935,883, 6,955,328, 6,983,917, 6,986,489, 7,014,157, 7,017,874, 7,048,242, 7,059,574, 7,063,296, 7,066,433, 7,066,435, 7,389,965, 7,665,699, D435,852, D491,952, D492,893, D670,853, D675,293.

LIT-1133 REV A