

 [www.ergotron.com](http://www.ergotron.com)  
 USA 1-800-888-8458  
 Europe +31 (0)33-45 45 600  
 China 86-769-86018920

**The Ergotron AC Tablet Charging Cart transports, secures, and charges any combination of 30 Tablets or Ultrabooks™.**

#### FCC Compliance Statement - Charging Cart

This Cart has been tested and found to comply with the limits for a Class A digital device, pursuant to Part 15 of the FCC rules. These limits are designed to provide reasonable protection against harmful interference when the equipment is operated in a commercial environment. This equipment generates, uses, and can radiate radio frequency energy and, if not installed and used according to the instructions, may cause harmful interference to radio communications. Operation of this device in a residential area is likely to cause harmful interference in which case the user will be required to correct the interference at their own expense.

Operation of this device is subject to the following two conditions: (1) this device may not cause harmful interference, and (2) this device must accept any interference received, including interference that may cause undesired operation.

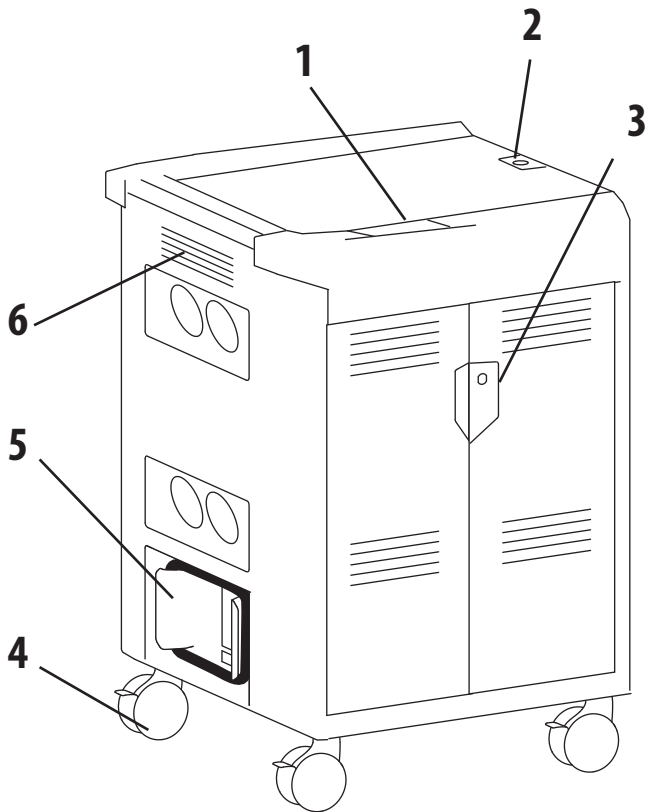
FCC Caution: Changes or Modifications not expressly approved by Ergotron could void the user's authority to operate the equipment.

This Class A digital apparatus complies with Canadian ICES-003. / Cet appareil numérique de la classe A est conforme à la norme NMB-003 du Canada.

## Table of Contents

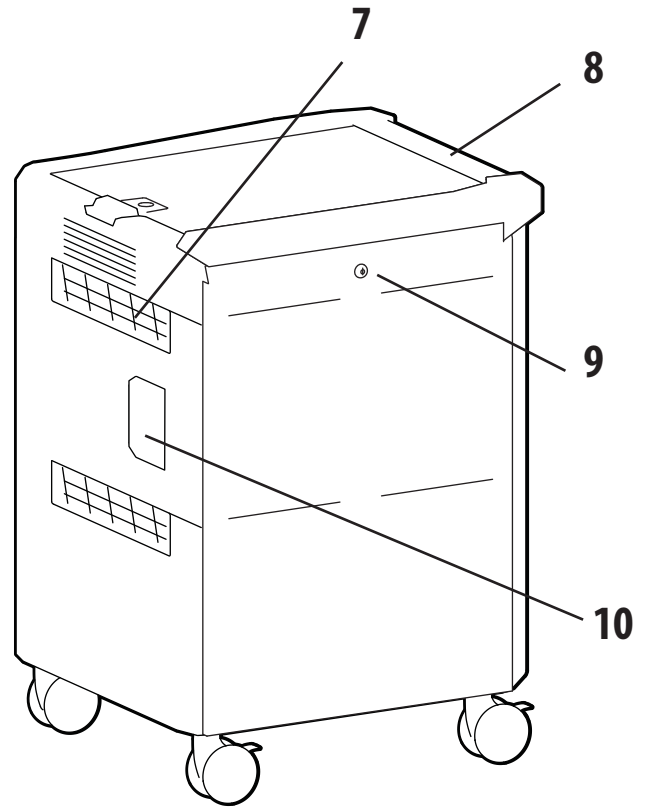
Features .....	2
Hazard Symbols Review .....	3
Components.....	3
Installation.....	3
LED .....	10
Cleaning and Maintenance.....	11
Equipment Electrical Safety .....	11
Safe Use Recommendations .....	12
Specifications.....	13
Warranty and Service.....	13

# Features



## Front

- 1. LED panel
- 2. Locking top cover
- 3. Locking, vented front doors
- 4. Four locking casters
- 5. Power cable bay
- 6. One 12 Volt fan



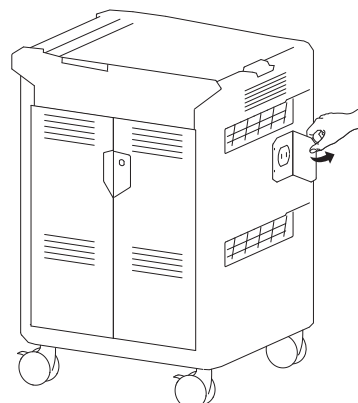
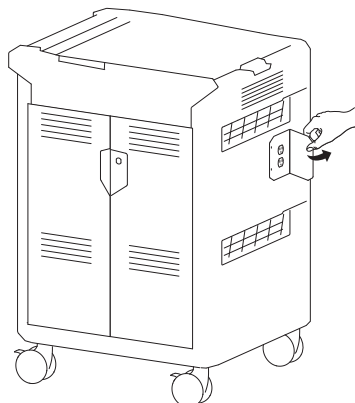
## Rear

- 7. Vented sides
- 8. Ergonomic handle
- 9. Lockable rear access door
- 10. Auxiliary outlets\*  
2 outlets US/Japan  
1 outlet all others







2 outlets (8A max) US/Japan

1 outlet (5.5A max) all others

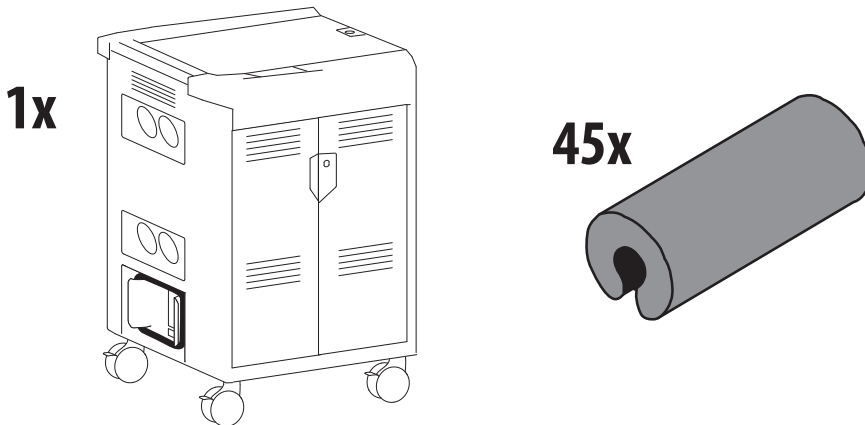


# Hazard Symbols Review

These symbols alert users of a safety condition that demands attention. All Charging and Managed Cart users should be able to recognize and understand the significance of the following Safety Hazards if encountered on the Cart or within Cart documentation. Children who are not able to recognize and respond appropriately to Safety Alerts should not use the Cart without adult supervision!

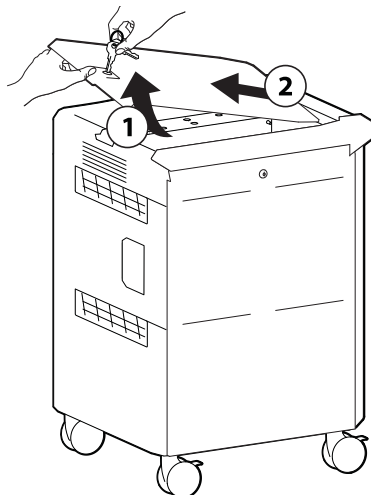
Symbol	Signal Word	Level of Hazard
	<b>NOTE</b>	A NOTE indicates important information that helps you make better use of your Cart.
	<b>CAUTION</b>	A CAUTION indicates either potential damage to hardware or loss of data and tells you how to avoid the problem.
	<b>WARNING</b>	A WARNING indicates either potential for property damage, personal injury, or death.
	<b>ELECTRICAL</b>	An Electrical indicates an impending electrical hazard which, if not avoided, may result in personal injury, fire and/or death.

## Components

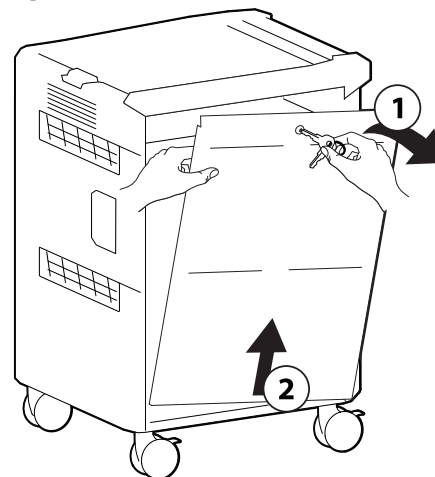


## Set-up

**1** Use provided key to open and remove top.

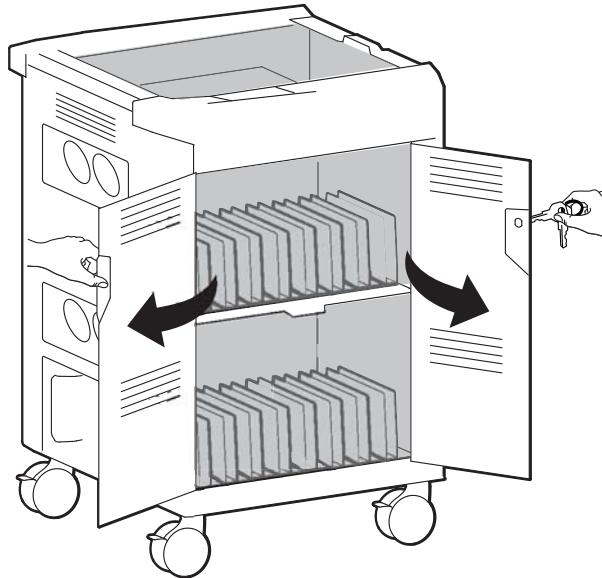


**2** Use same key to open and remove rear panel.



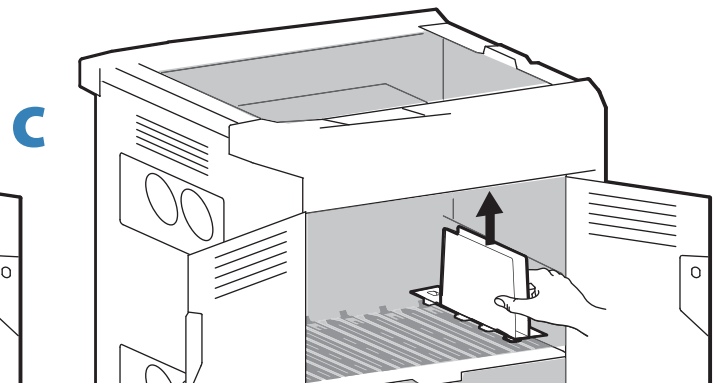
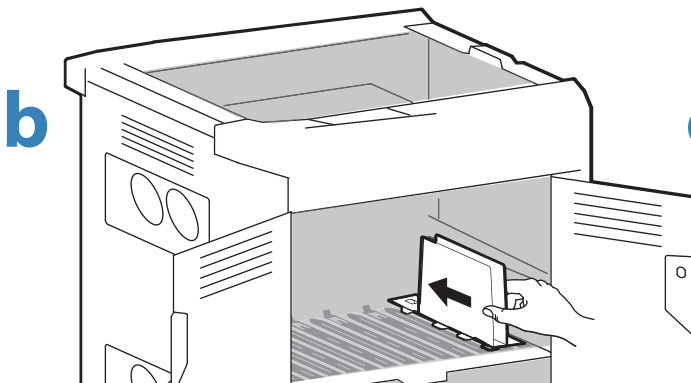
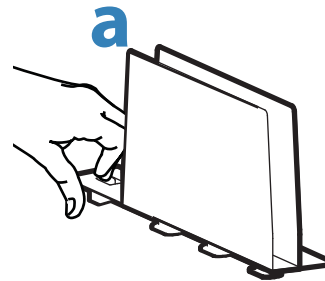
# Set-up

**3** Open the front cart doors using provided key.



**4** Remove all the dividers on the top shelf only.

- a) Press release tab in back of divider.
- b) Push divider backward.
- c) Lift divider out of cart.

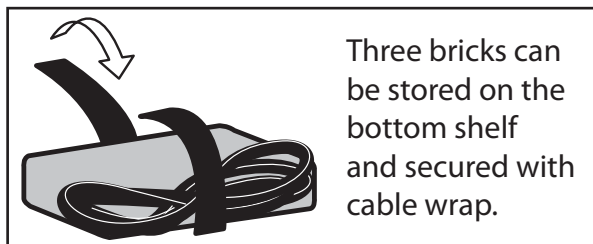


**5** Working at the bottom compartment at the rear of the cart:

a) plug the AC adapters into the outlets.

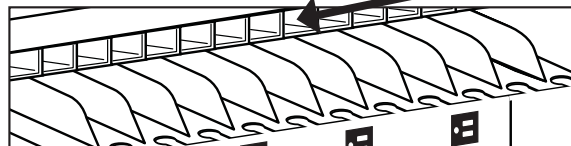


**NOTE:** If installing bricks, bundle extra cable with brick and store in brick rack.



Three bricks can be stored on the bottom shelf and secured with cable wrap.

b) Route the female ends of the AC adapters through the cable slots to of the front of the cart.



Slots route the cables from the back to the front of the cart.

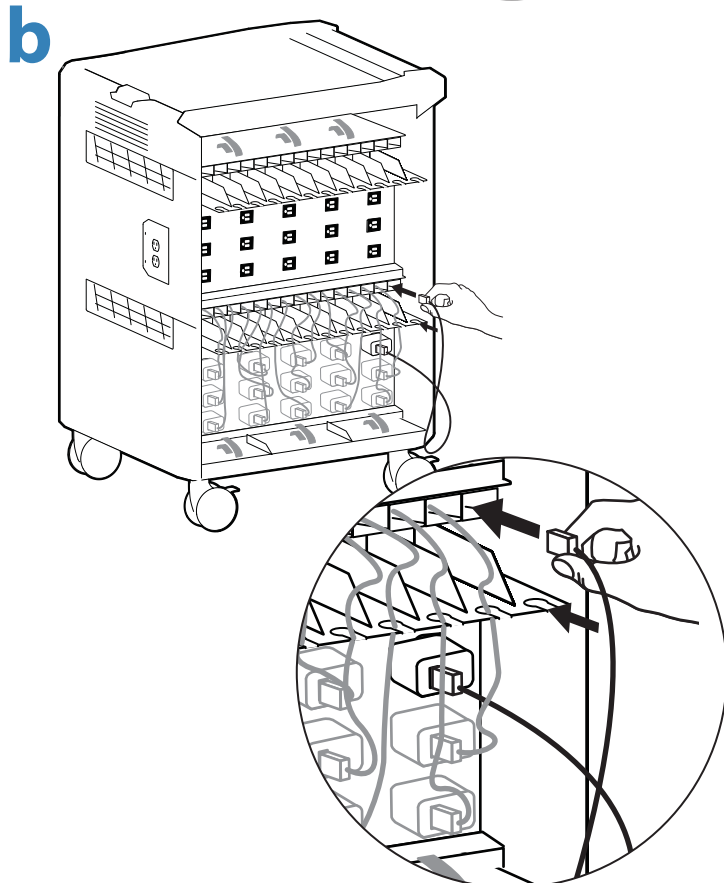
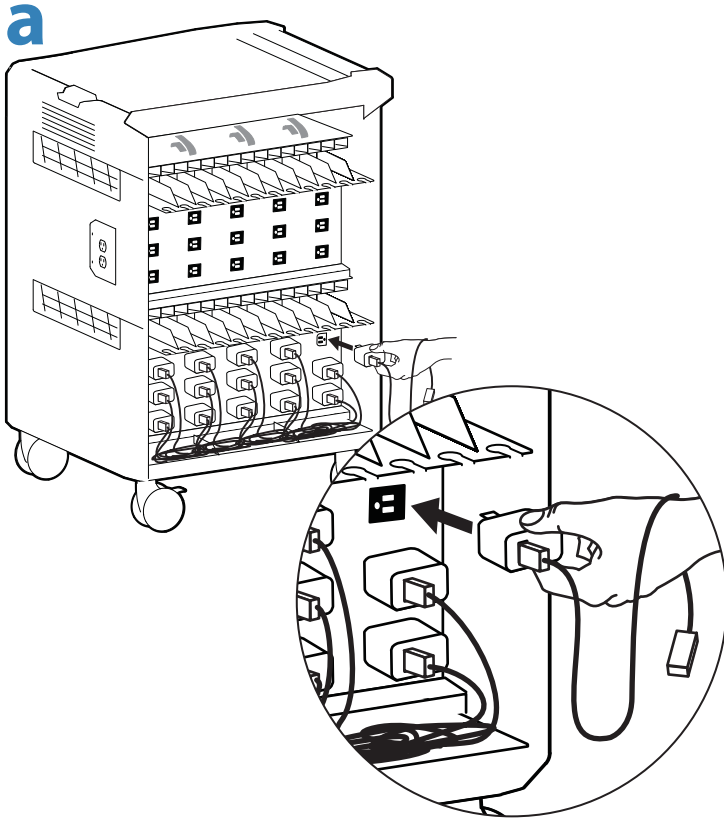
# Set-up

# 5

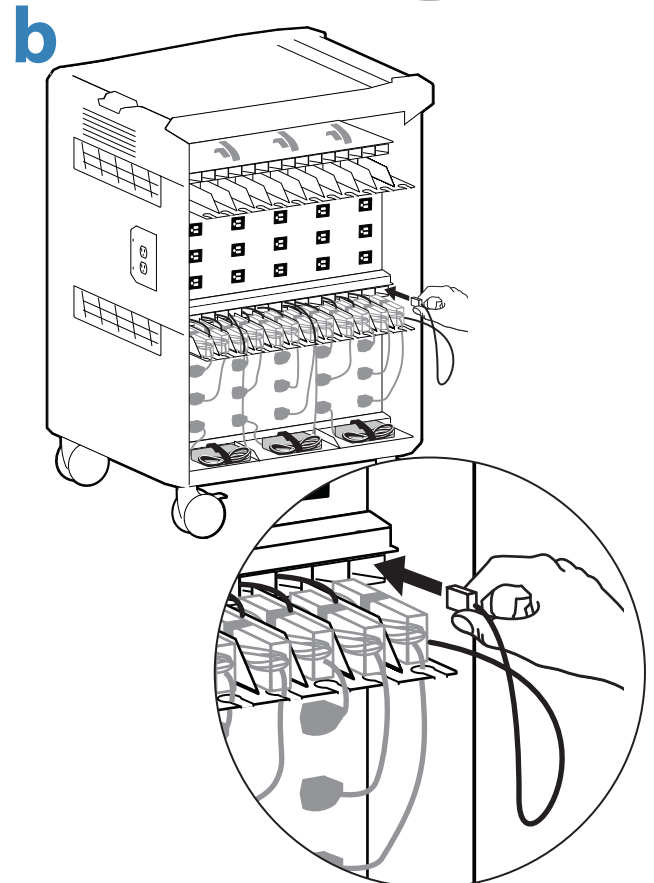
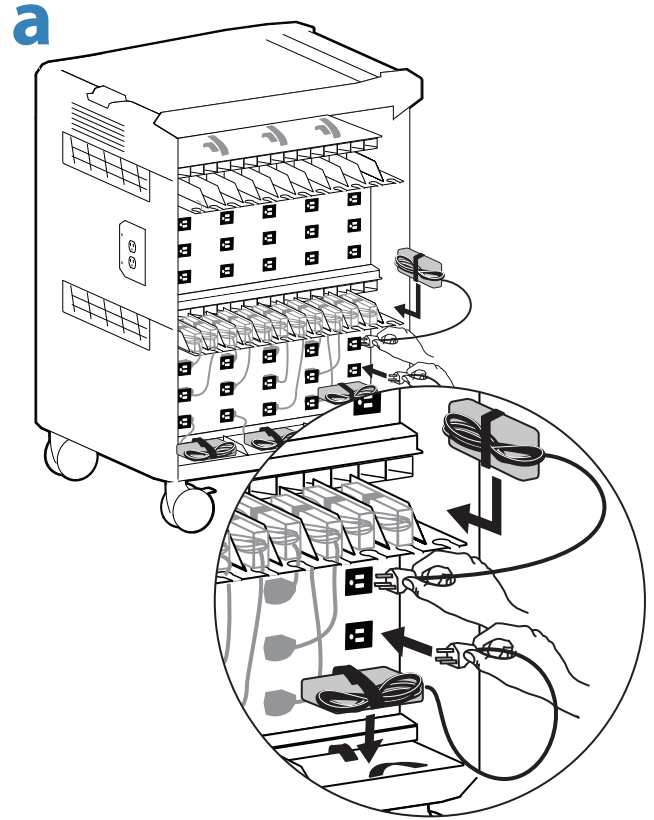


**NOTE:** the cart is designed to accommodate a variety of AC adapter styles. Illustrated are two typical examples.

## EXAMPLE 1 AC Wall Adapters



## EXAMPLE 2 Mini Brick AC Adapters



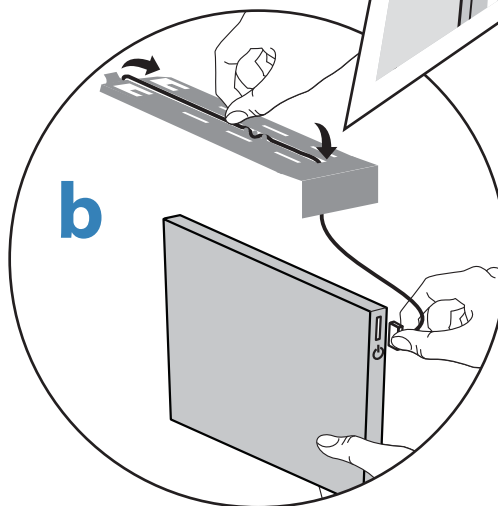
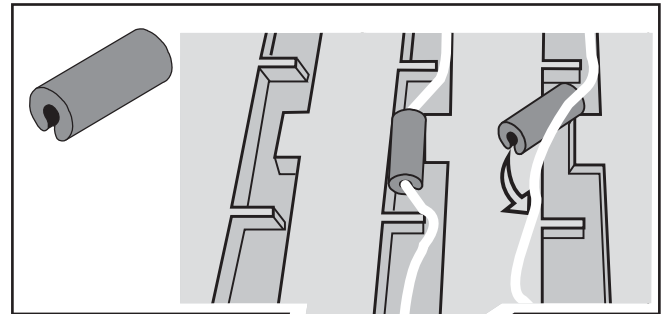
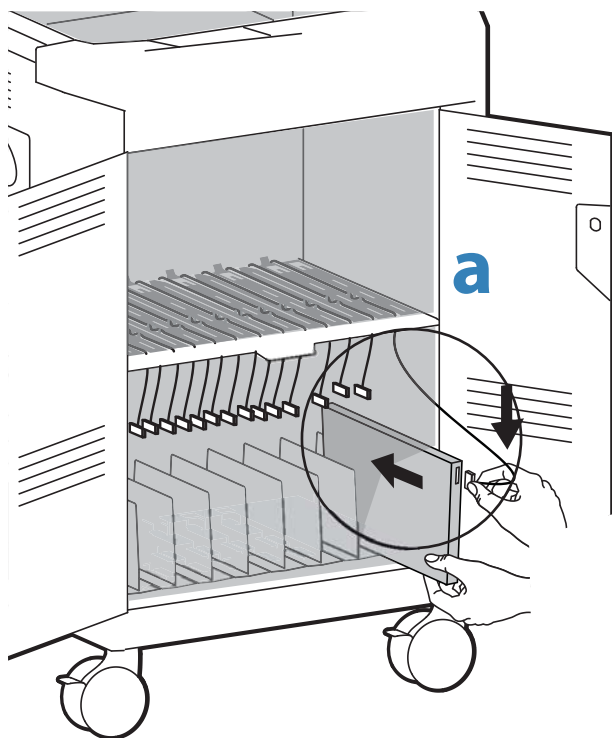
# Set-up

## 6 Connect the power cables to the tablets on the bottom shelf.

a) Starting with the bottom shelf only, insert the tablets so that the power connector is located toward the front of the cart.

b) Route the AC Adapter cables through the cable channel leaving enough slack for cables to be plugged into tablet when removed from slot. If your cord is smaller than 4.0mm, add a rubber cord plug to your cord and place between guides to keep cable in position.

Repeat until all bottom shelf tablets are cabled.

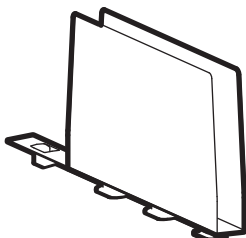


## 7 Reinsert the dividers on the top shelf.

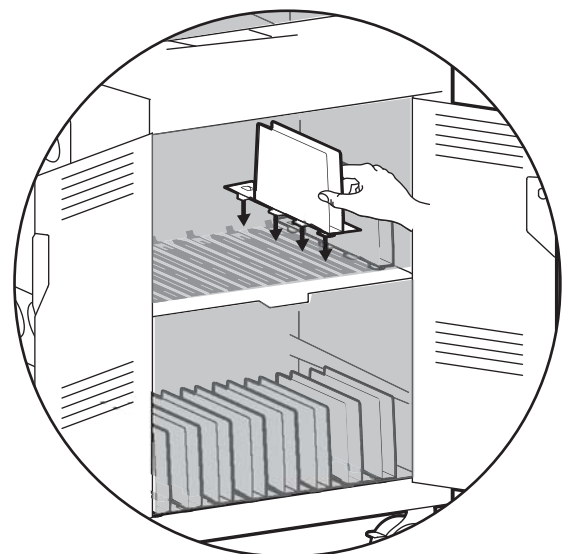
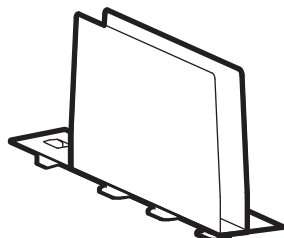


**NOTE:** the divider at the right side of the cart differs from the normal dividers as shown below:

Right-end Divider

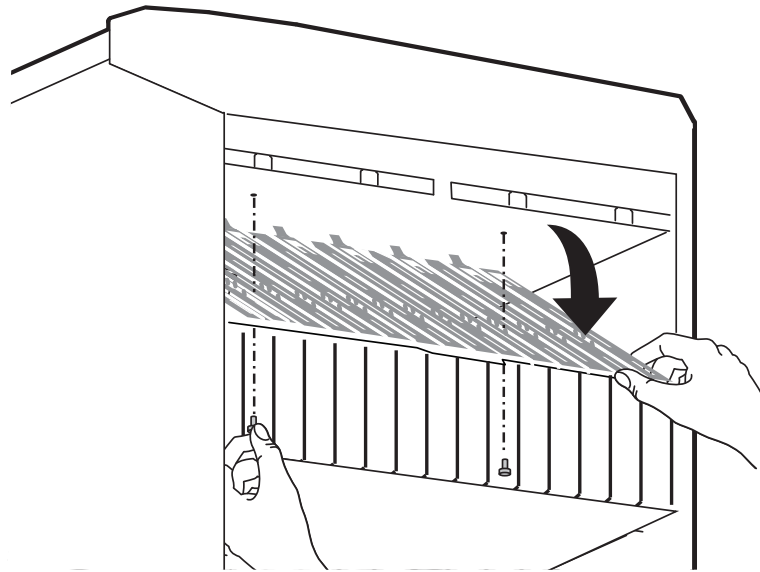


Normal Divider



## Set-up

- 8** Lower the cable routing tray by removing the thumb screws.



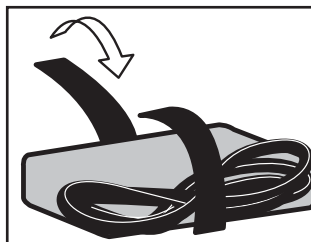
- 9** Return to the rear of the cart, and in the top compartment:

a) plug the AC adapters into the outlets.

b) Route the female ends of the AC adapters through the cable slots to of the front of the cart.



**NOTE:** If installing bricks, bundle extra cable with brick and store in brick rack.



Three bricks can be stored on the top shelf and secured with cable wrap.



Slots route the cables from the back to the front of the cart.



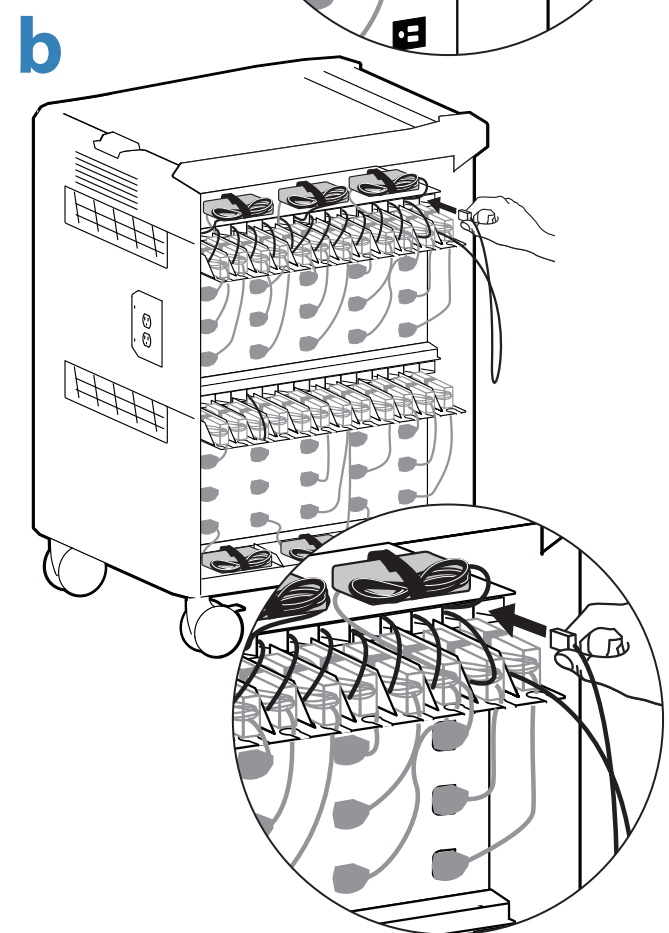
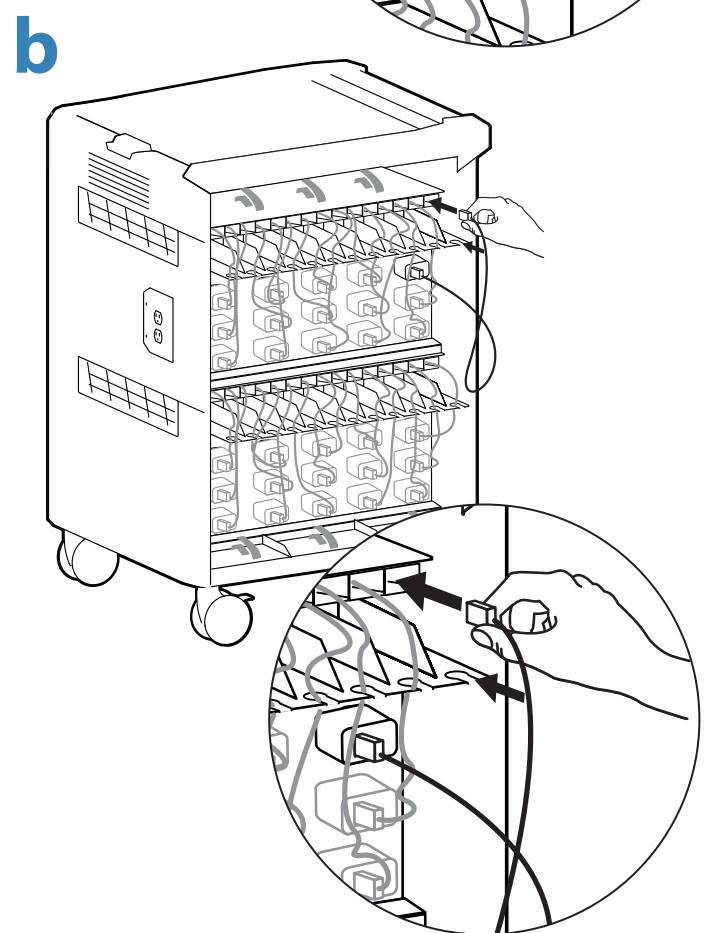
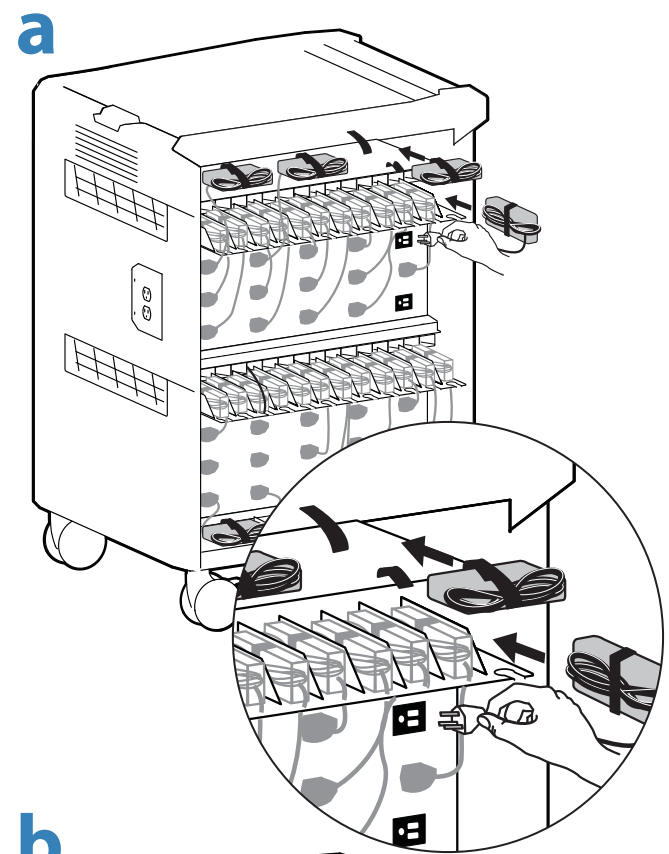
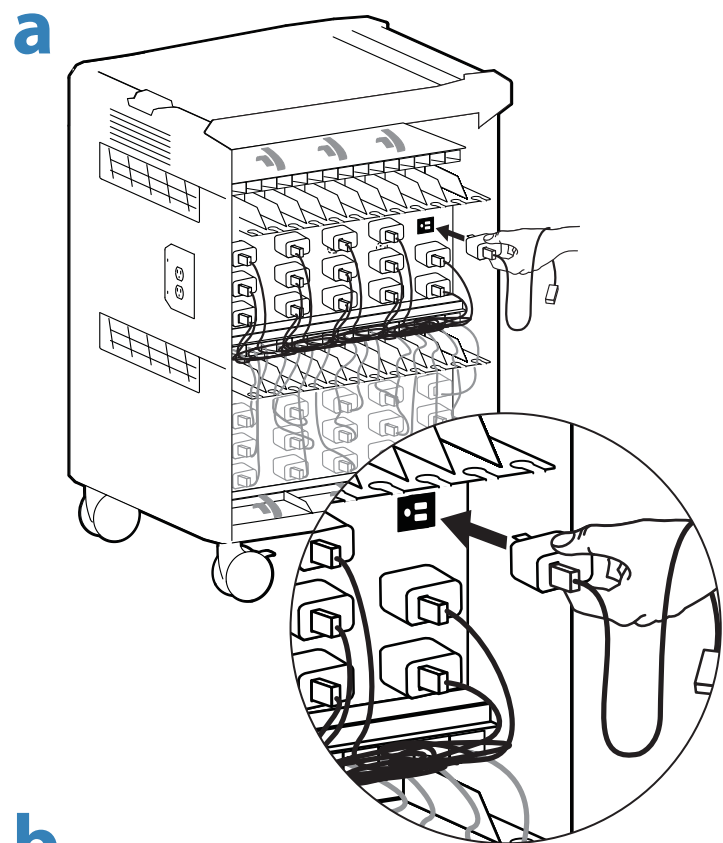
**NOTE:** the cart is designed to accomodate a variety of AC adapter styles. Illustrated are two typical examples.

# Set-up

## 9

### EXAMPLE 1 AC Wall Adapters

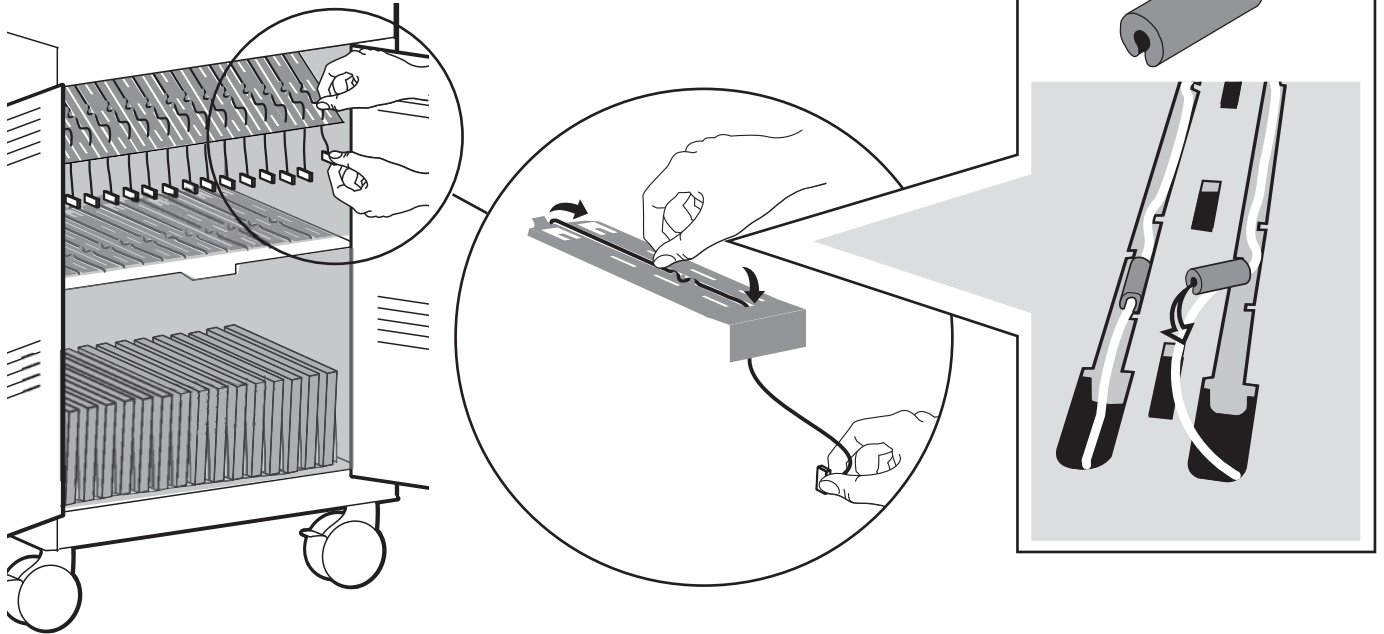
### EXAMPLE 2 Mini Brick AC Adapters



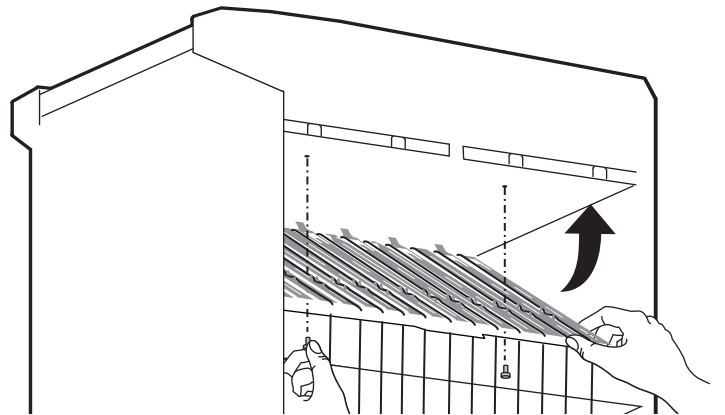
# Set-up

**10** Return to the front of the cart: route the AC Adapter cables through the cable channel leaving enough slack for cables to be plugged into tablet when removed from slot. If your cord is smaller than 4.0mm, add a rubber cord plug to your cord and place between guides to keep cable in position.

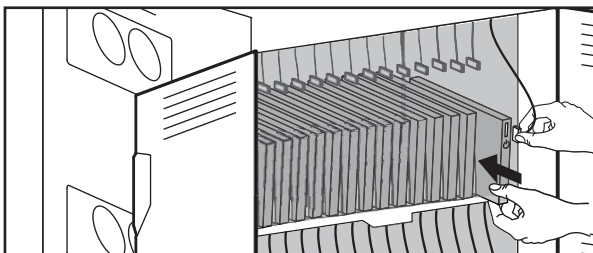
Repeat until all top shelf tablets are cabled.



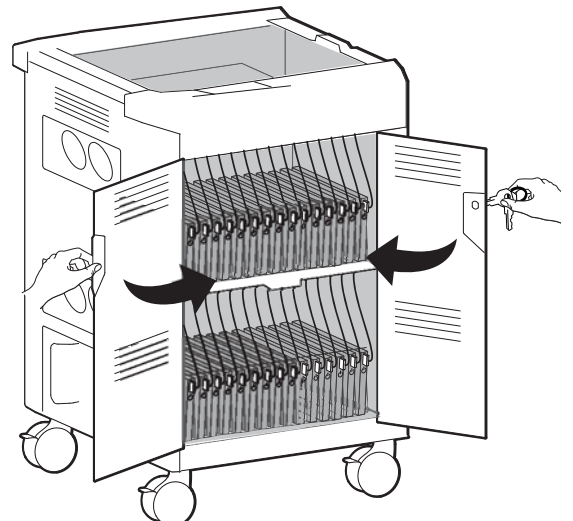
**11** Raise the tray back into place and secure with the thumb screws.



**12** Insert tablets into top shelf dividers and connect power cables to tablets.

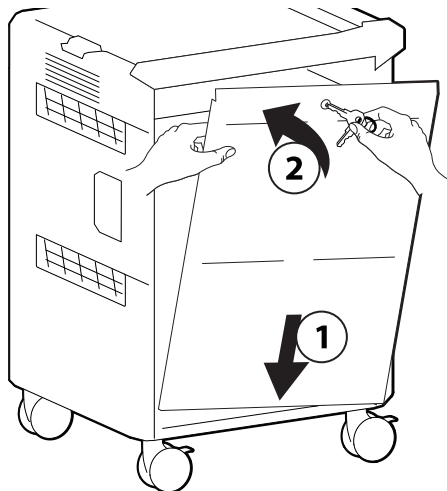


**13** Close front compartment doors and lock.

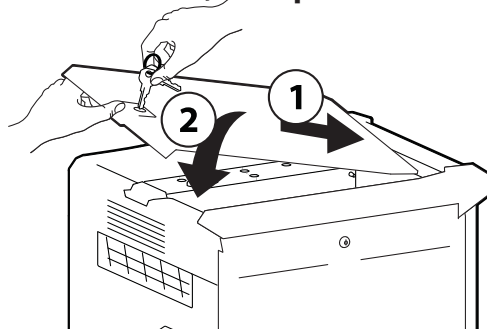


# Set-up

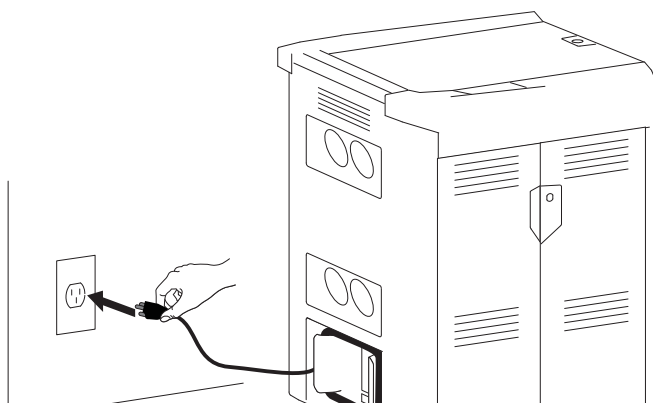
**14** Close rear door and lock: lower door into place at the bottom of cart then swing forward at top and turn lock to secure.



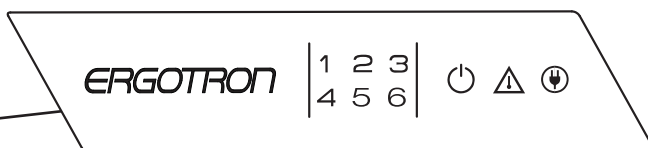
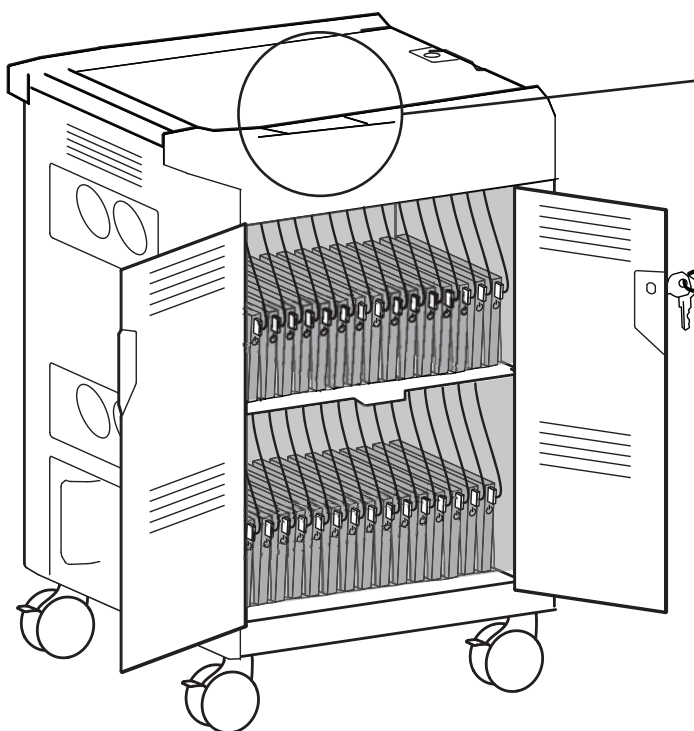
**15** Close top compartment and lock: slide cover into place on handle end of cart, then push cover down.



**16** Connect power to facility power.



**LED** Refer to the chart below for the meaning of LED signals.




Indicator	Signal	Meaning
	Blue light, solid	Power "ON"
1 2 3 4 5 6	Blue light, fast flashing	Scanning Notebook and Ethernet/WAP power draw (30 seconds per bank)
	Blue light, slow flashing	Notebook bank charging (10 minutes per bank)
	White light, solid	Power being used at external outlets
	Amber light, flashing	Maximum temperature has been exceeded


# Cleaning and Maintenance

 **WARNING:** Failure to observe the following safety notices may result in serious personal injury or equipment damage.


Inspect for damage, dirt and debris on a regular basis. All paint and plastic components used in the Cart will withstand cleaning by most commonly used, diluted, non-abrasive solutions such as quaternary ammonia compounds, ammonia enzyme cleaners, bleach, or alcohol solutions. It is recommended that any cleaning solution be tested on a small, inconspicuous area to ensure it does not harm the surface of the Cart.


- Marks from permanent marker, dry-erase marker, and pens can be removed with 91% isopropyl alcohol and a soft cloth.
- Iodine stains can be removed with commonly used cleaners and a soft cloth.
- Do not use steel wool or other abrasive materials that may damage the surface finish.

 **Electrical:** To avoid risk of electric shock, do not expose electrical components to water, cleaning solutions or other potentially corrosive liquids or substances.

 **Electrical:** Do not immerse Cart or Cart components in liquid or allow liquids to flow into the Cart. Wipe all cleaners off surface immediately using a damp cloth. Dry the surface thoroughly after cleaning.

 **Electrical:** Do not use flammable cleaners on Cart surfaces.

 **CAUTION:** Adjustment, Service, Replacement - DO NOT attempt to adjust, service or replace any part of the Cart unless directed to do so through Ergotron-approved documentation (i.e. installation instructions). Only Ergotron, Inc. or an Ergotron-certified entity may adjust, service or replace Cart components. If any component on the Cart is missing or damaged, the Cart must not be used. Contact Ergotron immediately to request a replacement part.

 **CAUTION:** Casters - Check casters periodically to make sure they are clean and free of debris that would prevent smooth travel. Avoid moving Cart across uneven, dirty, or damaged surfaces.

 **CAUTION:** Customer Equipment- Make sure equipment is balanced and installed securely to Cart. Contact Ergotron for information about moving Cart components.


## Equipment Electrical Safety

There are specific risks associated with the use of equipment having power cables. You must be aware of, and avoid these risks when the Cart is located in close proximity to children.


 **WARNING:** Failure to observe the following Electrical Safety notices can result in fire or death by electric shock.

 **Electrical cables can be hazardous. Misuse can result in fire or death by electrical shock.**

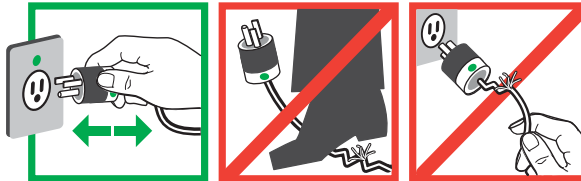
- Double Pole / Neutral Fusing
- Inspect power cables thoroughly before each use.
- Do not use cables that are damaged.
- Insert the plug completely into the outlet.
- Grasp the plug to remove from the outlet.
- Do not unplug by pulling on the cable.
- Do not use excessive force to make connections.
- Do not plug the cable into an extension cable.
- Do not remove, bend or modify any metal prongs or pins of cable.
- Do not drive, drag or place objects over the cable.
- Do not walk on the cable.
- Avoid overheating. Uncoil the cable and do not cover it with any material.
- Do not run cable through doorways, holes in ceilings, walls or floors.

 **Keep the Cart away from water.**

- Do not use it when wet.
- Do not place the Cart in close proximity to flammable liquids or gases.

 **DANGER!**  
Risk of Electric Shock

**DANGER!** Electrical cables can be hazardous. Misuse can result in fire or death by electrical shock.



# Safe Use Recommendations

There are specific risks associated with the use of Cart when moving or stationary (for charging or storage). You must be aware of, and avoid these risks when the Cart is located in close proximity to children.



**WARNING:** Failure to observe the following Cart Use Safety notices may result in serious personal injury or equipment damage.

Only Adults should move this cart.

- Do not allow anyone to sit, stand, or climb on the Cart.
- Do not lift the Cart from the bottom.
- Do not block the fans and vent openings. To prevent overheating, leave at least 127 mm (5-inch) clearance around fans and vents.

The Cart is designed to be used indoors only.

- Do not use the Cart to transport or store equipment other than what has been noted in this guide.
- Do not use the Cart to store liquids or cleaning supplies.
- Do not place heavy objects on the Cart surface or shelf.
  - The maximum weight capacity of the top surface is 11.4 kg (25 lb).
  - The maximum weight capacity of the shelf is 22.5 kg (49.5 lb).

## Moving the Cart

- Before moving the Cart:
  1. Disconnect the power cable from the wall.
  2. Make sure the cable is wrapped and secure.
  3. Close and lock the doors.
  4. Remove items from the top work surface.
  5. Unlock the casters.
- Push (do not pull) the Cart for optimum maneuverability and to prevent muscle strain.
- Do not move the Cart across rough, uneven or irregular surfaces such as gravel.

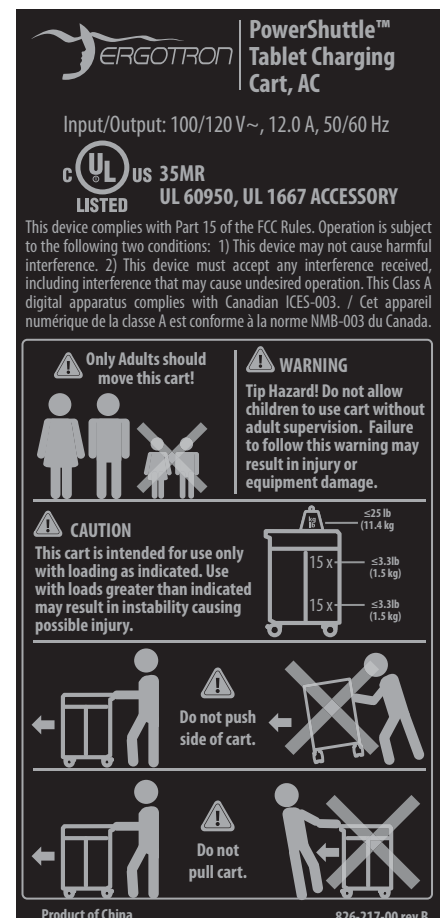
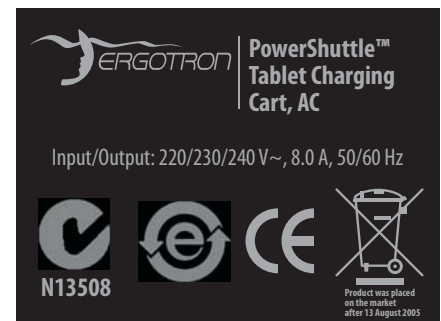
## Parking the Cart

Observe these safety alerts for times when the cart is stationary:

- Do not park the Cart in areas of heavy traffic.
- Do not run cables through doorways, holes in ceilings, walls, or floors.
- Do not run cables across hallways, classrooms, or other areas where they will be walked on.
- Do not leave Cart unattended in areas where children have access.
- Keep Cart doors closed and locked whenever it is unattended or parked for charging or storage.
- Keep Cart casters locked whenever it is unattended.



**CAUTION:** Changes or Modifications not expressly approved by Ergotron could void the user's authority to operate the equipment.



# Specifications

This device complies with Part 15 of the FCC Rules. Operation is subject to the following two conditions: 1) This device may not cause harmful interference. 2) This device must accept any interference received, including interference that may cause undesired operation. This Class A digital apparatus complies with Canadian ICES-003. / Cet appareil numérique de la classe A est conforme à la norme NMB-003 du Canada.

**Cart dimensions**

28"W x 24.4"D x 40.5"H (71.1 x 62.0 x 101.6 cm)

**Shipping dimensions**

32.7 W x 27.6 D x 46.4 H in (830 x 702 x 1179 mm)

**Cart weight (w/o equipment)**

159 lb (72.1 kg)

**Shipping weight**

216 lb (98 kg)

**Rated weight capacity**

Top Work Surface 25 lb (11.3 kg)

**Power system**

100/120 V~, 12.0A, 50/60 Hz or  
220/230/240 V~, 8.0A, 50/60 Hz  
Depending on region and model of Cart

**Maximum device size**

Individual device dimensions (including cover):  
up to 12.8 W x 11.4 H x 1.0 D in (325 x 290 x 25.4 mm)  
Individual device weight: ≤3.3 lb (1.5 kg)

**Tip Test/Angle:** 10 degrees

**Cooling/ventilation**

One 12V AC fan in top compartment, ventilated doors and side panels

**Environmental**

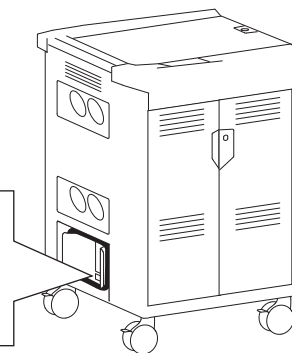
Temperature range:  
Operating 0° to 30°C (32° to 86°F)  
Storage -40° to 60°C (-40° to 140°F)  
Relative humidity (maximum):  
Operating 10%–90% (non condensing)  
Storage 5%–95% (non condensing)  
Altitude (maximum): 2000 m (6,562 ft)

**External power outlet(s)**

One or two outlets, depending on region  
100/120 V~, 8A, 50/60 Hz or  
220/230/240 V~, 5.5A, 50/60 Hz


# Service and Warranty

For Service on the Ergotron PowerShuttle Tablet Charging Cart, AC  
Visit [www.ergotron.com](http://www.ergotron.com)



**NOTE:** When contacting customer service, reference the serial number.





© 2012 Ergotron, Inc.  
All rights reserved.

While Ergotron, Inc. makes every effort to provide accurate and complete information on the installation and use of its products, it will not be held liable for any editorial errors or omissions (including those made in the process of translation from English to another language), or for incidental, special or consequential damages of any nature resulting from furnishing this instruction and performance of equipment in connection with this instruction. Ergotron, Inc. reserves the right to make changes in the product design and/or product documentation without notification to its users. For the most current product information, or to know if this document is available in languages other than those herein, please contact Ergotron. No part of this publication may be reproduced, stored in a retrieval system, or transmitted in any form or by any means, electronic, mechanical, photocopying, recording or otherwise without the prior written consent of Ergotron, Inc., 1181 Trapp Road, Eagan, Minnesota, 55121, USA  
Patents Pending and Patented U.S. & Foreign. Ergotron is a registered trademark of Ergotron, Inc.

<b>Americas Sales and Corporate Headquarters</b>	<b>EMEA Sales</b>
St. Paul, MN USA (800) 888-8458 +1-651-681-7600 <a href="http://www.ergotron.com">www.ergotron.com</a> <a href="mailto:sales@ergotron.com">sales@ergotron.com</a>	Amersfoort, The Netherlands +31 33 45 45 600 <a href="http://www.ergotron.com">www.ergotron.com</a> <a href="mailto:info.eu@ergotron.com">info.eu@ergotron.com</a>

<b>APAC Sales</b>	<b>Worldwide OEM Sales</b>
Tokyo, Japan <a href="http://www.ergotron.com">www.ergotron.com</a> <a href="mailto:apaccustomerservice@ergotron.com">apaccustomerservice@ergotron.com</a>	<a href="http://www.ergotron.com">www.ergotron.com</a> <a href="mailto:info.oem@ergotron.com">info.oem@ergotron.com</a>