

SXL2 specifications



height range: 22.1" – 48.6"

weight capacity: 200 lbs.

adjustability: enhanced electric control with upgradeable digital read out & memory settings

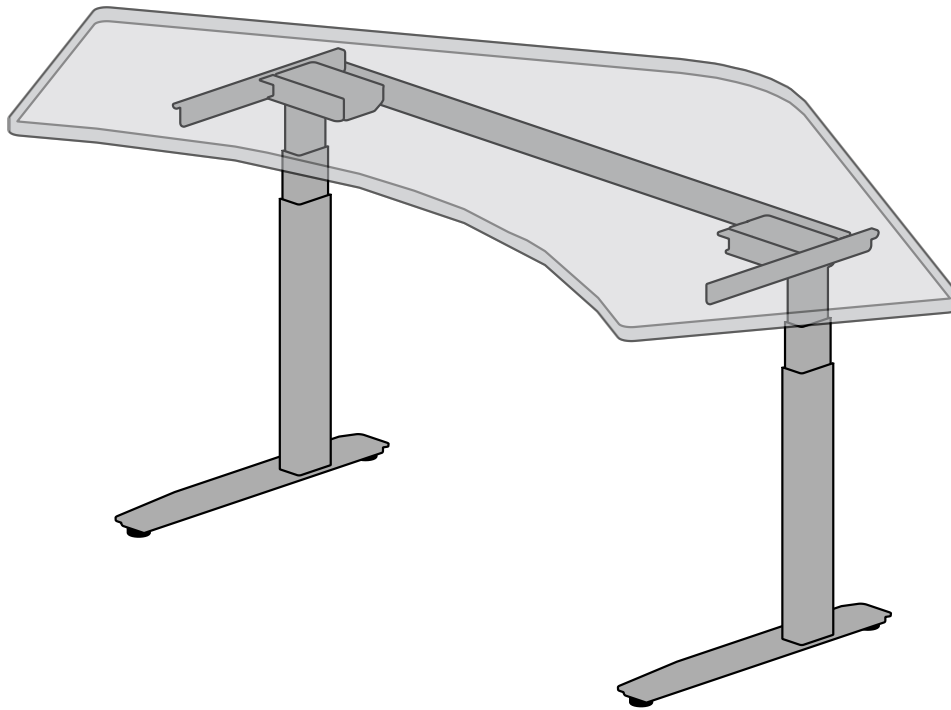
maintenance requirements: no maintenance is required

frame colors: black, silver

special features: meets ANSI/BIFMA requirements

see catalog for full details

SXLV2 specifications



height range: 22.1" – 48.6"

weight capacity: 200 lbs.

adjustability: enhanced electric control with upgradeable digital read out & memory settings

maintenance requirements: no maintenance is required

frame colors: black, silver

special features: meets ANSI/BIFMA requirements

see catalog for full details