

## Adjustable Height Metal Cart w/ Keyboard



**AVJ42KBC**  
W42ACEKB

- Steel shelves have a 1/4" retaining lip, with cable access holes
- No slip rubber mat for adjustable top shelf
- Locking security cabinet has full piano hinge door
- Pullout keyboard shelf which is ideal for chromebook & keyboards
- A set of silent roll, 4" full swivel ball bearing casters, two with locking brakes
- Includes a 3-outlet UL listed electrical assembly with a 15 ft. cord
- Locking cabinet made from durable 20-gauge steel with inner dimensions of 24"W x 17.5"D x 16.5"H, featuring reinforced locking doors with full length piano hinges



**MADE IN  
USA**

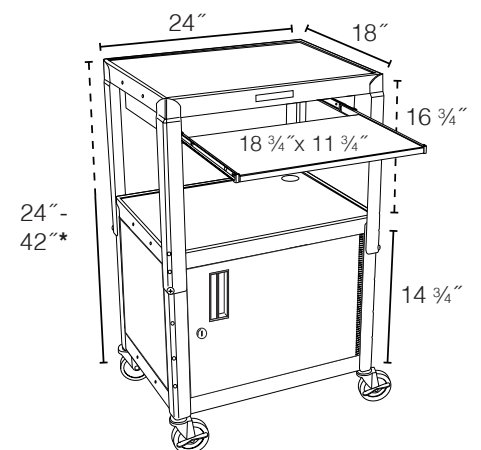
Available in 4 Colors:



Color Options: **Black** **Gray** **Red** **Blue**  
-LG -RD -RB

To specify which unit color is ordered, replace ★ in this example product number with available color option of choice: **AVJ42KBC★**

### Measurements:



\* - in 2" increments

Weight: 50 lbs.