



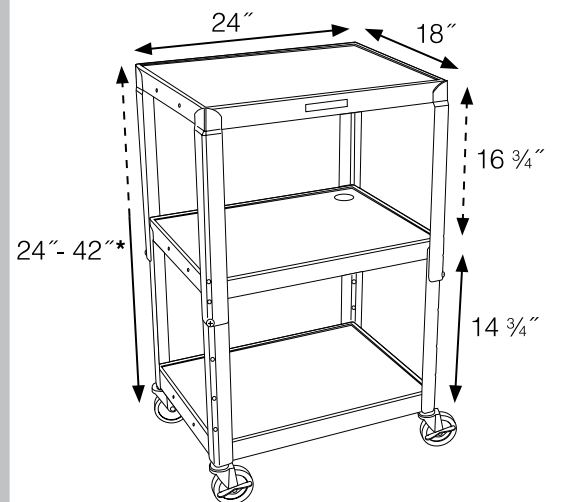
24"W x 18"D Adjustable Height Metal Cart



AVJ42

- Roll formed shelves with powder coat paint finish
- Cable pass through holes
- 3-outlet 15' UL and CSA listed electric
- 1/4" retaining lip around each shelf
- Includes safety mat for top shelf

Measurements:



* - in 2" increments

Available in 9 Colors:



Color Options:

Black	Gray LG	Putty OW	Red RD	Burgundy BY	Blue RB	Yellow YW	Green GN	Navy Z
--------------	-------------------	--------------------	------------------	-----------------------	-------------------	---------------------	--------------------	------------------