

TECHNICAL DATA SHEET - Universal Vector Pro™ II Projector mount



MODELS: PJF2 35, PJF2 40, PJF2 45

The **Universal Vector Pro™ II** features a sleek, low profile design, a ball and socket design for multidirectional positioning (roll, pitch, and yaw), a structural ceiling plate, complete Armor Lock™ security, and an extension column connector.

Features:

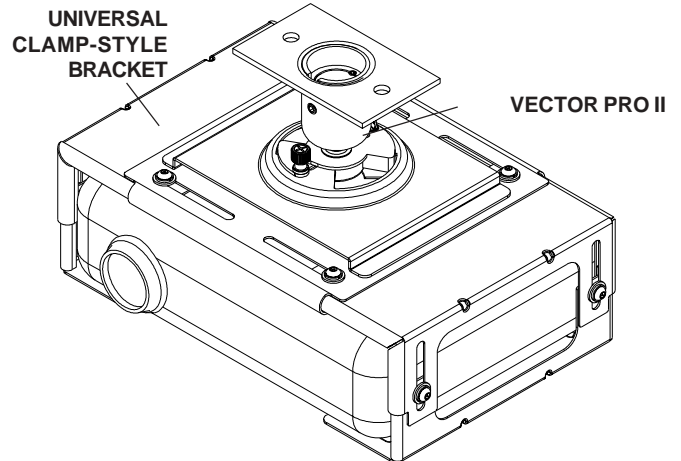
- Ships fully assembled and attaches to projector adapter plate with a partial rotation and engages into place
- *30° (±15°) pitch, 30° (±15°) roll, 360° yaw
- Theft-resistant Armor Lock security for complete, integrated security from projector to ceiling
- Spring loaded captive screw and thumb screw allow for easy projector removal
- Ceiling plate included with mount
- 1/4" spacers included with mount allow cords to be routed above ceiling plate, if desired (spacers are optional to use)
- Threads directly into any ceiling plate that accepts standard 1.9" OD tubing
- Can be mounted with an extension column (using Extension Column Connector included)
- Universal clamp-style bracket included with mount.
- Can be mounted to threaded rod using ACC 810 - Threaded Rod Adapter (sold separately) and Extension Column Connector (included)

* Roll & pitch may be limited when flush mounted depending on the dimensions of the specific projector.

Maximum Load Capacity:
50 lb (22.7 kg)

Dimensions:

For product dimensions, see pages 2 - 5.



CAUTION: Before installation, identify the location of all vents and ports on the projector to ensure they will not be obstructed by the universal mount. Blocked vents may cause damage to the equipment.

Accessories:

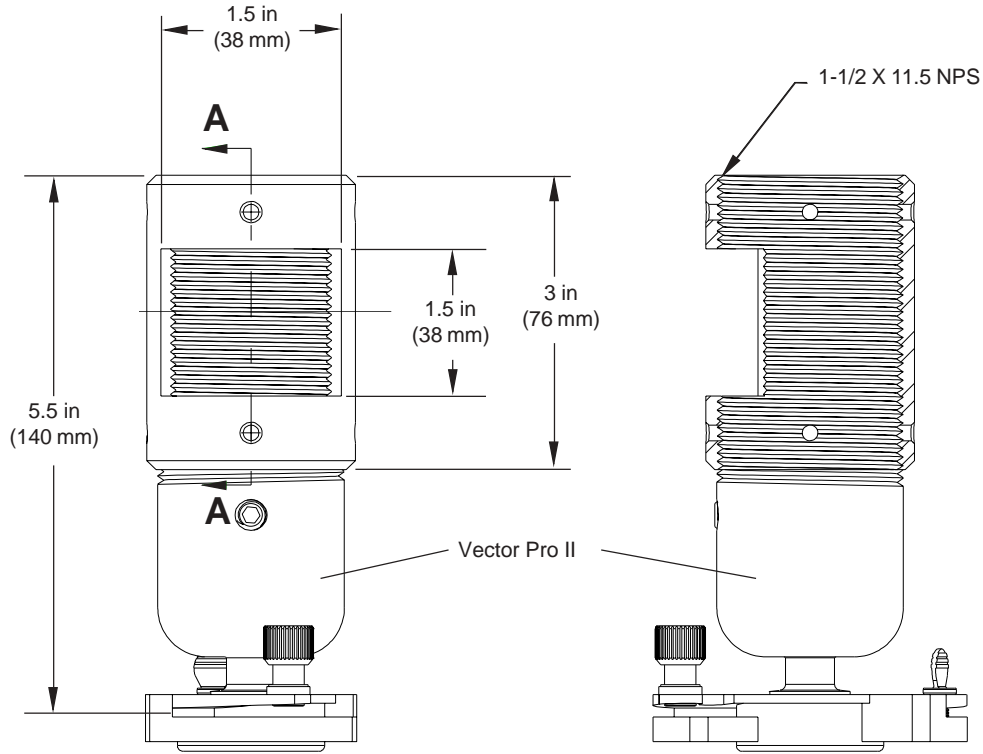
- Fixed and Adjustable length 1 1/2" NPT Extension Columns ("EXT" or "ADJ" models)
- Black Extension Column Connector with Cord Management (ACC 850)
- Black External Cord Wrap (ACC 852 & ACC 856)
- Concrete Anchors (ACC 205 or ACC 203)
- Armor Lock Plus™ security cable with Kensington® Lock (ACC 020)
- Armor Lock Plus™ security cable (ACC 021)
- Lightweight Suspended Ceiling Plate (CMJ 455)
- Anti-Vibration Ceiling Plates (ACC 840 & 845)
- Side to Side Adjuster (ACC 830)
- Threaded Rod Adapter (ACC 810)

ARCHITECTS SPECIFICATIONS:

The **Vector Pro II** projector mount shall be Peerless Models **PJF2 35, PJF2 40, PJF2 45** and shall be mounted where indicated on the plans. It shall feature 30° (±15°) pitch, 30° (±15°) roll, and 360° yaw. It shall have a 50 lb load capacity. It shall have a quick release spring loaded screw for easy removal and installation of the projector. It shall feature security screws. It shall be constructed of aluminum and nylon finished in black. The main housing is constructed of aluminum. The connector, which locks into the steel adapter plate, is constructed of nylon and is secured to the aluminum ball joint with a 1/4 -20 x 1 1/2" long steel bolt. The nylon material can take direct heat up to 250° without any deformation. Its melting point is 500° F. The Vector Pro II is capable of holding up to 50 lb at the maximum 15° roll or pitch. Installation and assembly shall be done in accordance with the instructions provided by the manufacturer.

TECHNICAL DATA SHEET

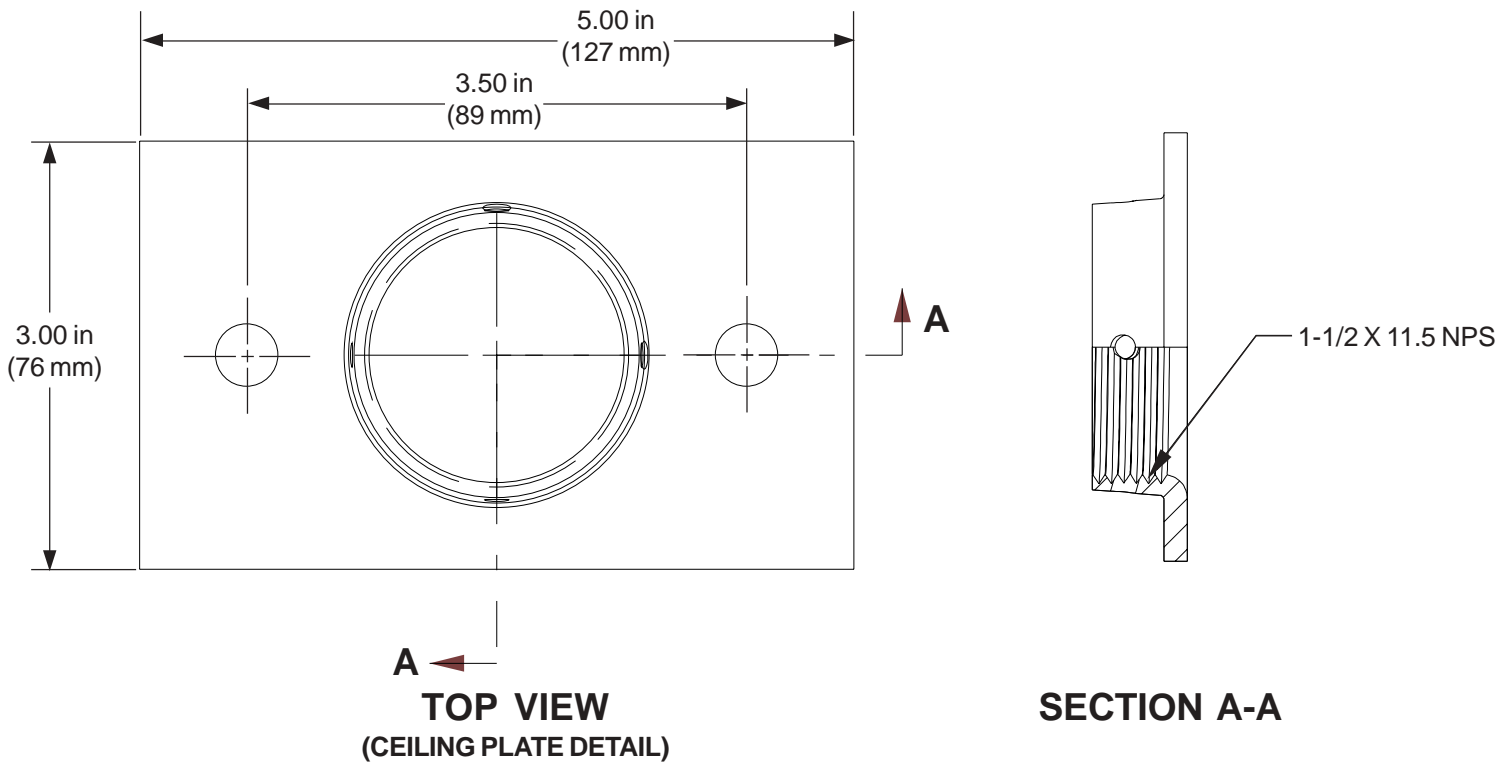
MODELS: PJF2 35, PJF2 40, PJF2 45



FRONT VIEW

WITH CORD MANAGEMENT CONNECTOR

SECTION A-A

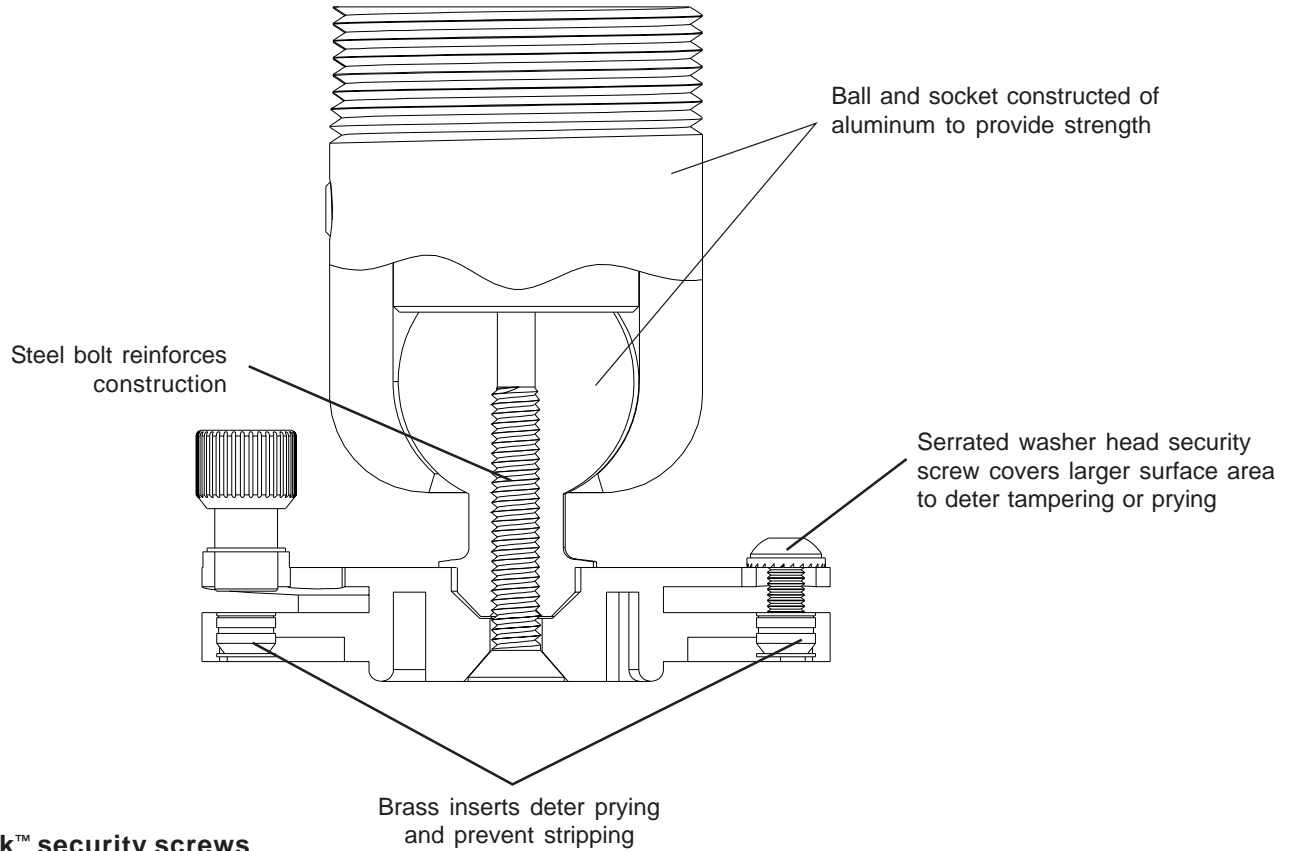


TOP VIEW

(CEILING PLATE DETAIL)

SECTION A-A

Armor Lock™ Security Features



NOTE: Armor Lock™ security screws are also included with PAP model adapter plates.

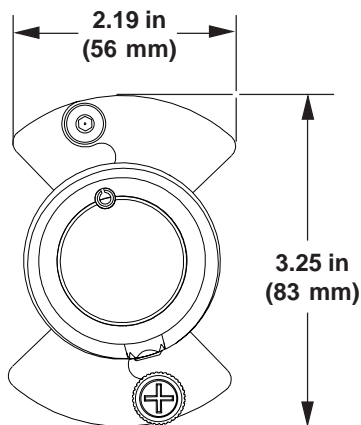
CUT AWAY VIEW

TECHNICAL DATA SHEET

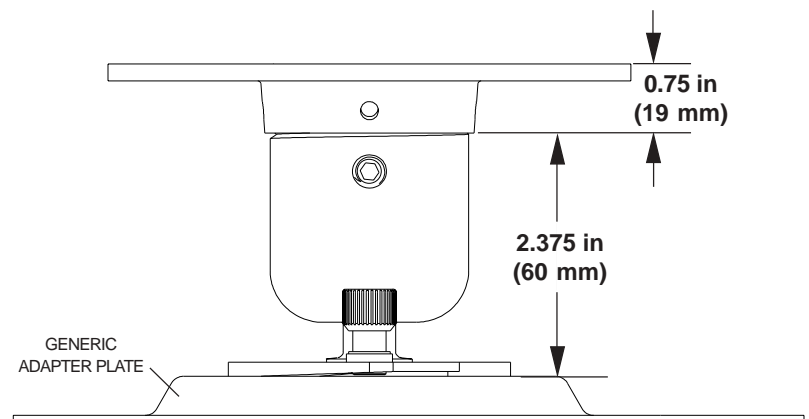
MODELS: PJF2 35, PJF2 40, PJF2 45
--

MODEL#	CARTON DIMENSIONS	SHIPPING WEIGHT	PRODUCT WEIGHT
PJF2 35	12.25 x 9.625 x 4 (311 x 244 x 102)	6.6 (3.0)	5.9 (2.7)
PJF2 40	12.25 x 9.625 x 4 (311 x 244 x 102)	7.6 (3.4)	6.6 (3.0)
PJF2 45	14.875 x 7.625 x 7.75 (378 x 194 x 197)	8.6 (3.9)	7.7 (3.5)

All dimensions shown above as in / (mm). All weights shown as lb / (kg).

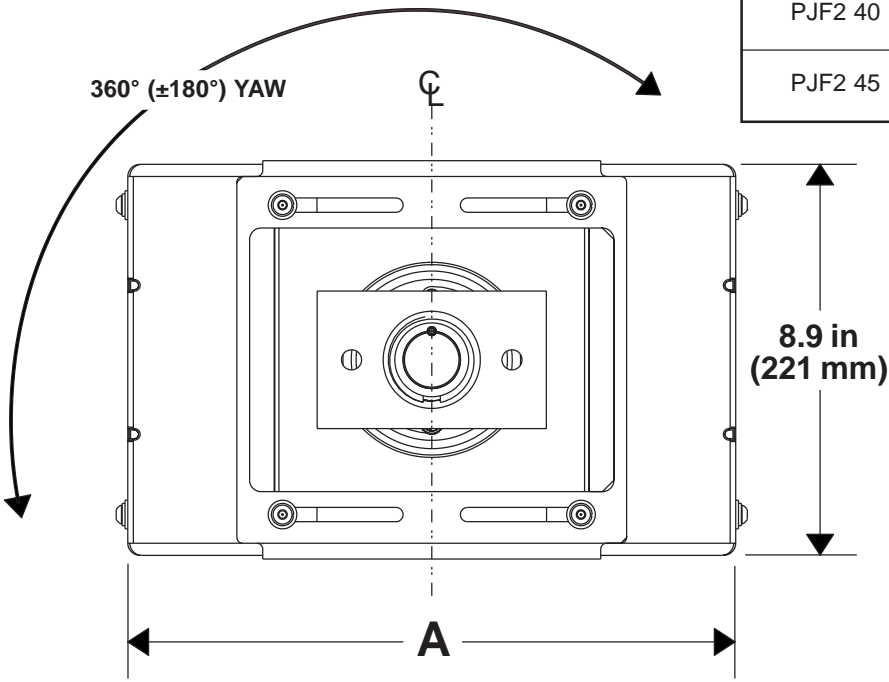
**TOP VIEW**

(without ceiling plate and adapter plate)

**FRONT VIEW**

TECHNICAL DATA SHEET

MODELS: PJF2 35, PJF2 40, PJF2 45



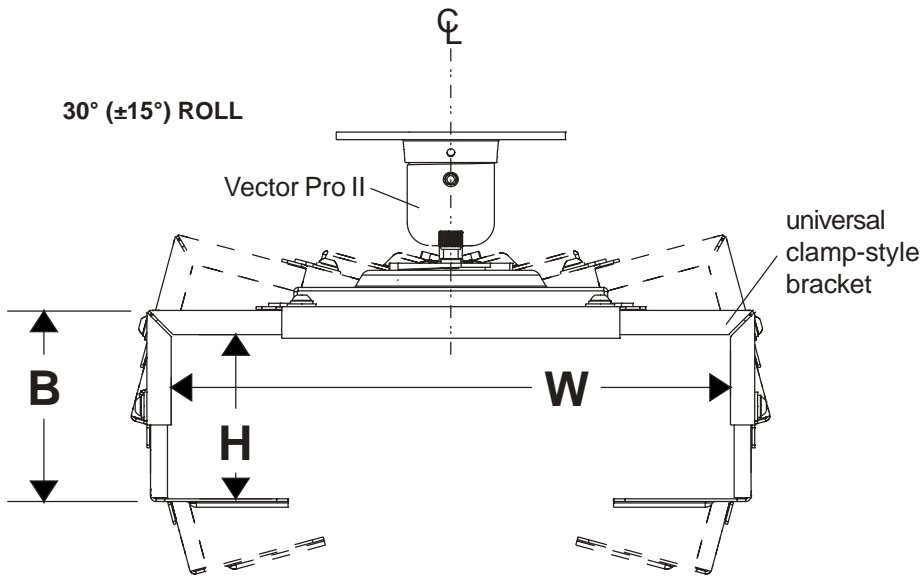
TOP VIEW

OUTSIDE DIMENSIONS				
MODEL NUMBER	MIN. WIDTH (A)	MAX. WIDTH (A)	MIN. HEIGHT (B)	MAX. HEIGHT (B)
PJF2 35	8.50 (216)	12.75 (324)	2.50 (64)	4.75 (121)
PJF2 40	9.50 (249)	16.00 (406)	3.75 (95)	6.50 (165)
PJF2 45	11.75 (299)	20.00 (508)	5.25 (133)	11.00 (279)

MODEL #	MIN / MAX C
PJF2 35	1.40 / 3.30 (36) (84)
PJF2 40	1.30 / 3.80 (33) (95)
PJF2 45	3.50 / 8.20 (90) (208)

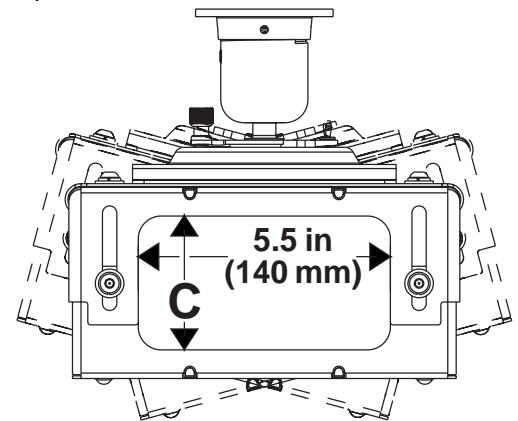
INSIDE DIMENSIONS				
MODEL NUMBER	MIN. WIDTH (W)	MAX. WIDTH (W)	MIN. HEIGHT (H)	MAX. HEIGHT (H)
PJF2 35	7.50 (191)	11.50 (292)	2.00 (51)	3.75 (95)
PJF2 40	8.50 (216)	14.75 (375)	3.25 (83)	5.50 (140)
PJF2 45	10.75 (273)	18.75 (476)	5.50 (140)	10.00 (254)

All above dimensions shown as inch / (mm).



FRONT VIEW

30° (±15°) PITCH



SIDE VIEW