

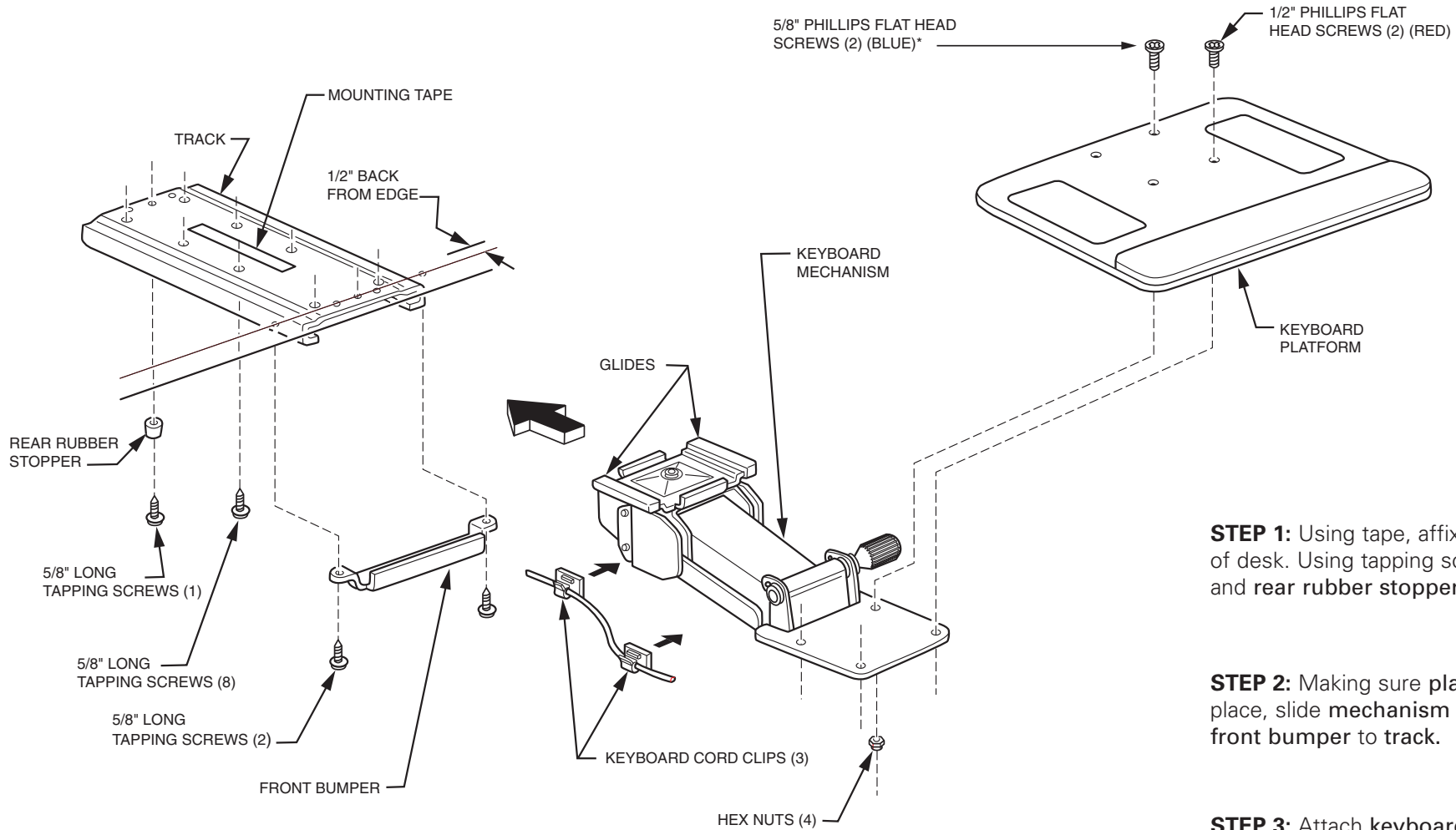
Keyboard Installation Instructions

For use with all Humanscale Keyboard Systems



PACKAGE CONTENTS

KEYBOARD MECHANISM	(1)	5/8" FLAT HEAD SCREWS	(2)
TRACK	(1)	1/2" FLAT HEAD SCREWS	(2)
KEYBOARD PLATFORM	(1)	HEX NUTS	(4)
RUBBER STOPPER	(1)	KEYBOARD CORD CLIPS	(3)
FRONT BUMPER	(1)	MOUSE CORD CLIP	(1)
5/8" TAPPING SCREWS	(12)		



STEP 1: Using tape, affix track to underside of desk. Using tapping screws, attach track and rear rubber stopper.

STEP 2: Making sure plastic glides are in place, slide mechanism into track. Attach front bumper to track.

STEP 3: Attach keyboard platform to mechanism. Attach keyboard cord clips and mouse cord clip as desired.