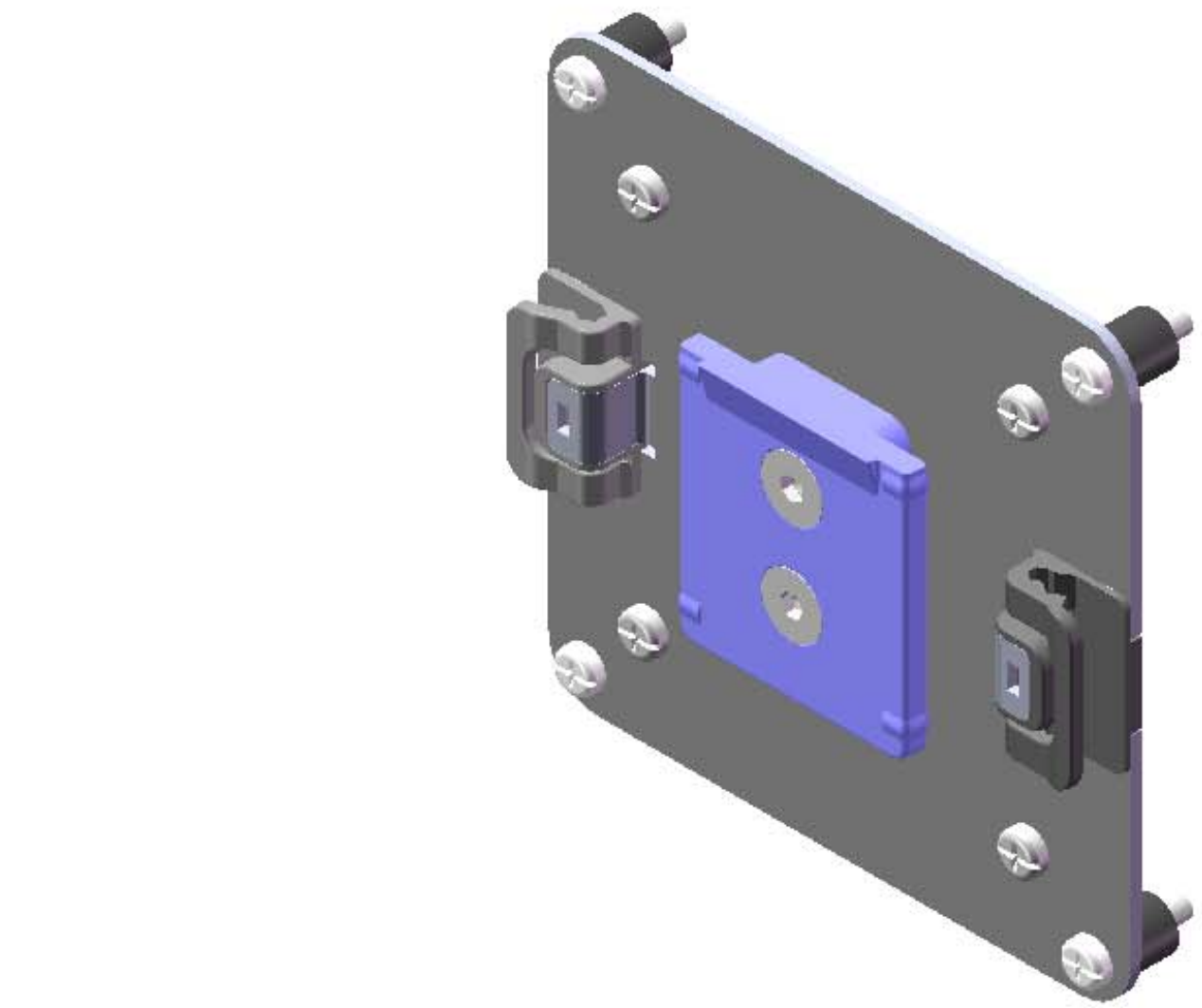
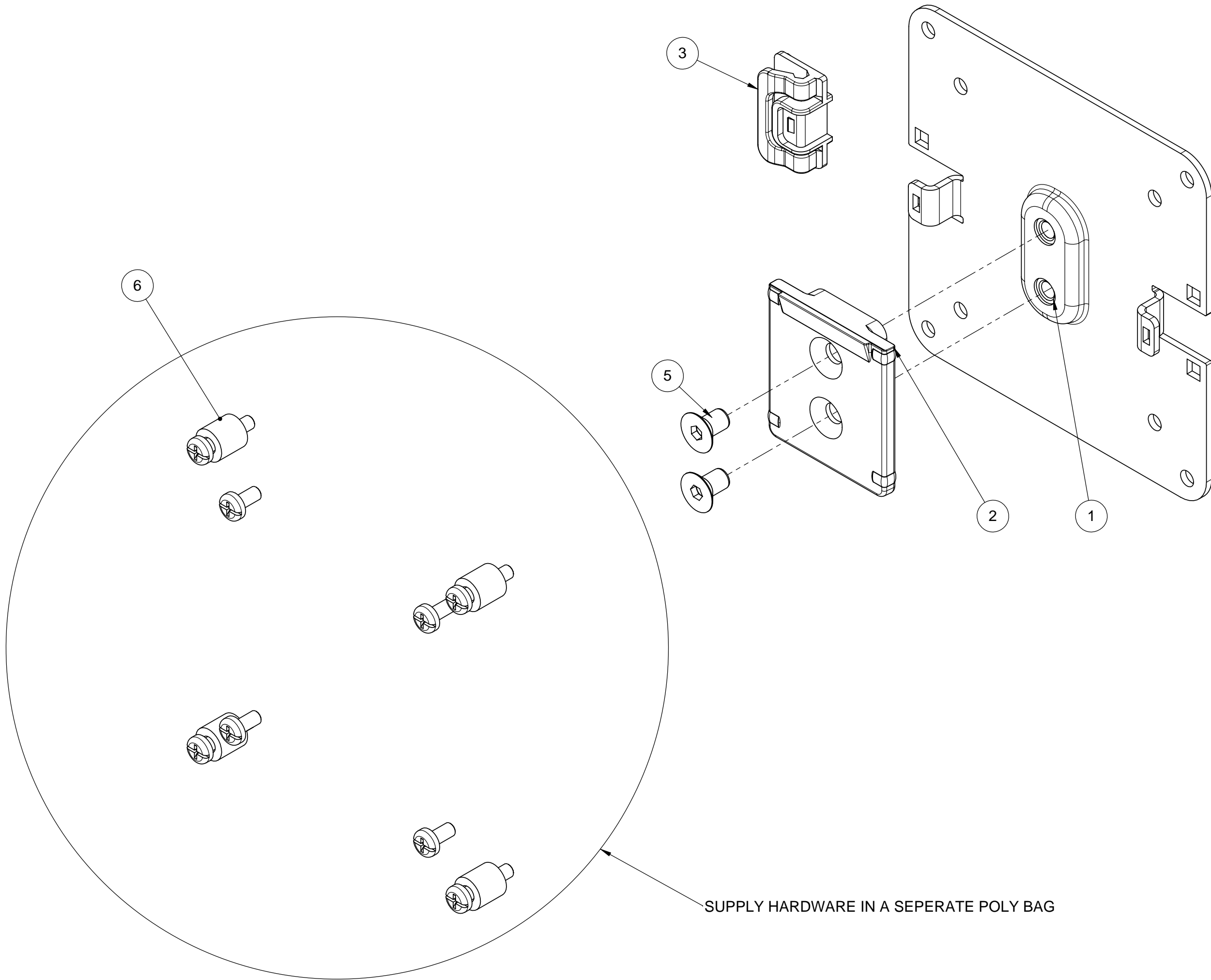


ITEM NO.	PART NUMBER	QTY.	SILVER
1	503-0211 - Weldment, VESA Plate	1	SILVER
2	503-0413 - VESA Alignment Glide	1	GRAY
3	503-0416 - Hex Key Holder, 4 mm	1	GRAY
4	503-0433 - Hex Key Holder, 3 and 5mm	1	GRAY
5	503-0827 - FHCS M6, 10 mm	2	BRIGHT ZINC
6	503-1027 - VESA Plate Hardware Kit	1	-

REV.	DESCRIPTION	ECN#	DATE	APPROVED
0	PRODUCTION RELEASE	-	01/06/2010	BA
1	REPLACED PART 503-0431 WITH 503-0433	503-0005	12/2/2010	MD



INTERPRET GEOMETRIC TOLERANCING PER: ANSI Y14.5M-1994 	TOLERANCES UNLESS NOTED			11 East 26th Street New York, NY 10010 Ph: 212-725-4579 Fax: 212-725-4745
	[MM]	[INCHES]		
.XX = ±.10	.XXX = ±.005		APPROVALS	PROJECT
.X = ±.25	.XX = ±.010		DRAWN BY: KTH	DATE: 12/30/08
ANGLES = ±1°			CHECKED BY: BA	01/08/2010
			ENG APPR. BY: S.B.	02/16/10
THIRD ANGLE PROJECTION MATERIAL: - WEIGHT: g			TITLE: VESA Plate Assembly	
PROPRIETARY AND CONFIDENTIAL THE INFORMATION CONTAINED IN THIS DRAWING IS THE SOLE PROPERTY OF HUMANSCALE. ANY REPRODUCTION OR DISTRIBUTION IN PART OR AS A WHOLE WITHOUT THE WRITTEN PERMISSION OF HUMANSCALE IS PROHIBITED.			SIZE: C	DWG. NO. 503-1011 SCALE: 1:1
			REV 1	SHEET 1 OF 1