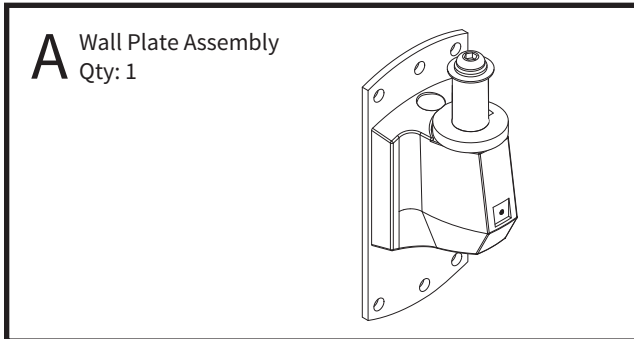
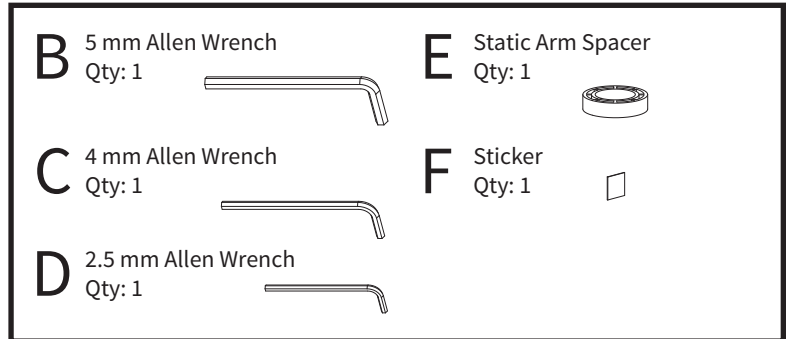


Assembly & Installation Instructions: Conform Base, Wall Plate CONF-BSE-WP-S

Parts Included



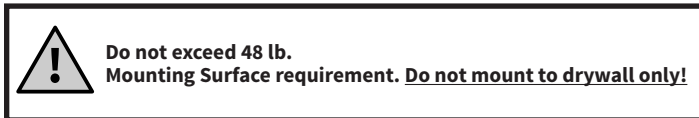
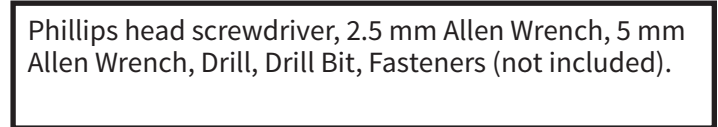
Parts Included, Hardware kit



Required Parts Sold Separately

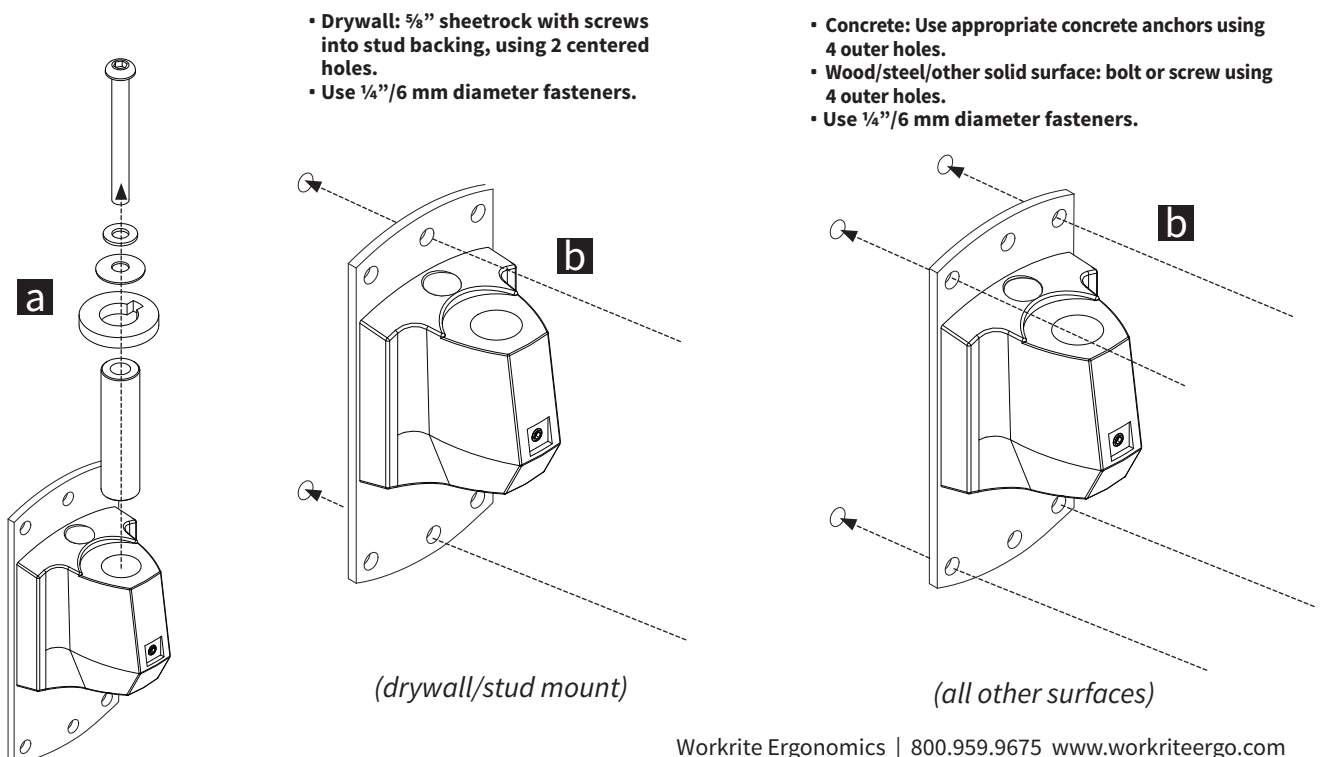


Tools Required



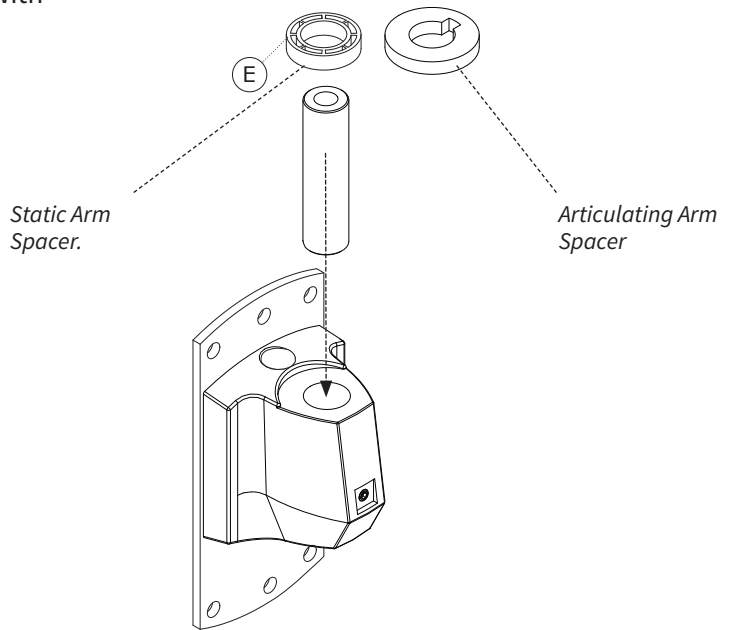
1 Attach the Wall Plate Base to the wall

- a** Remove Bolt & Washers.
- b** Fasten Wall Plate Base with 1/4"/6 mm diameter bolts or screws appropriate to the construction of the wall.



2 Insert Spacer and Bolt

Choose the appropriate spacer and re-assemble pin with selected spacer.



3 Ready for Arm Installation

You are now ready to attach your selected Conform Monitor Arm (sold separately). Follow Arm installation instructions.

