

# Power Bar, 12 & 16 Receptacle Assembly Instructions



Hello! Thank you for choosing Anthro's Power Bar!

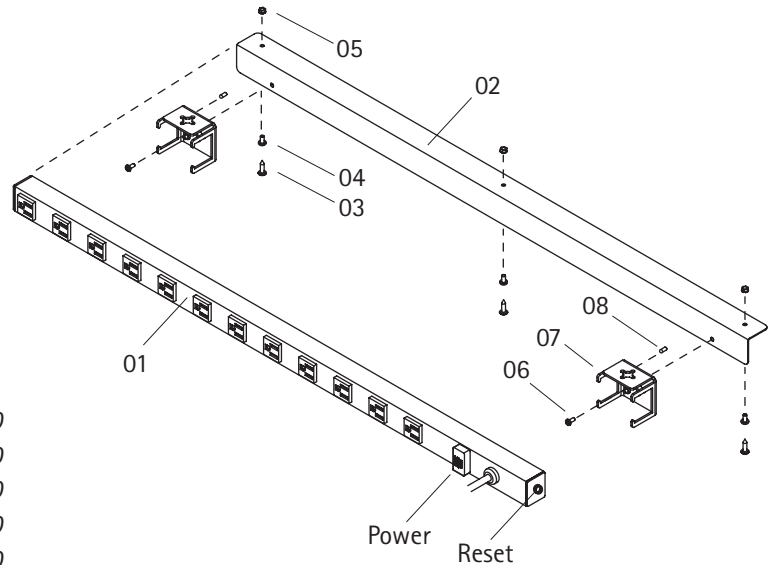
Before beginning installation of your Power Bar, please review the parts list below to verify that your shipment is complete. The workstations (shown shaded) are not included with this accessory.

It may also be helpful to review the instructions of all Anthro products you plan to include in this installation.

## Parts List

*Not all of these parts are required for all mounting options. You may have parts left over.*

- 01–Power Bar, 12 Receptacle ..... Qty. 1 ..... 400-5103-00
- Power Bar, 16 Receptacle..... Qty. 1 .....400-5101-00
- 02–Angle Bracket ..... Qty. 1 ..... 225-2097-00
- 03– 3/4" Wood Screw Black Oxide ..... Qty. 3 ..... 325-5106-00
- 04– Angle Bracket Screw Zinc ..... Qty. 3 ..... 325-5150-00
- 05–#10-24 Keps Nut Zinc ..... Qty. 3 ..... 325-5252-00
- 06–8-32x3/8" Phillips Pan Hd Screw ..... Qty. 2 ..... 325-5283-00
- 07–Power Bar Clamp..... Qty. 2 ..... 225-2098-23
- 08–Set Screw ..... Qty. 2 ..... 325-5200-00
- 09–3/32" Hex Key (not shown)..... Qty. 1 ..... 375-5030-00



## Tools

*The following tools are required but not provided for this assembly:*

- Phillips Screwdriver
- Power drill with 1/8" drill bit

## Safety

- Power Bar should not be installed with the outlets facing up.
- Do not connect to an ungrounded power supply. Do not use adapters or extension cords to eliminate the grounding connection.
- Power Bar must only be connected to a standard 3-wire, 120 Volt AC, 15 Amp, 60 Hz to 50/60Hz outlet.
- A qualified electrician should test the circuit you will plug Power Bar into. The circuit should be checked for ground integrity and appropriate branch circuit protection.
- Power Bar is for indoor use only.
- Do not install Power Bar near excessive heat or moisture.
- Do not install or use Power Bar near flammable gasses.
- Children are often unaware of the hazards associated with electrical devices, therefore Power Bar must be used by an adult or with adult supervision.
- Liquids should not be stored above or on Power Bar.
- Never unplug Power Bar from the outlet when your hands are wet or by pulling the power cord. Use the plug to remove from the outlet.
- Make sure the Power Bar receptacles, cord and plug are not bent or damaged.

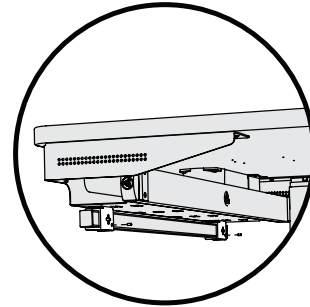
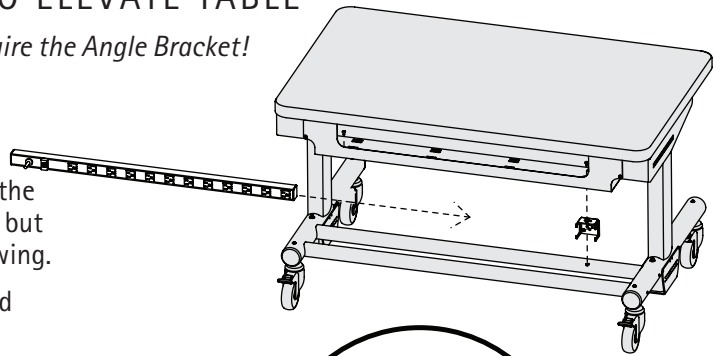
## Table of Contents

- Install 12-receptacle bar  
    onto Elevate table
- Install 16-receptacle bar  
    onto Elevate table
- Install 12-receptacle bar  
    onto other tables
- Install 16-receptacle bar  
    onto other tables

**STEP 1 – INSTALL 12-RECEPTACLE ONTO ELEVATE TABLE**

*Installation of a Power Bar onto an Elevate Table does not require the Angle Bracket!*

- Locate the installation slots on the bottom of the Cable Trough. Select an installation point for one of the Clamps using the row of slots closest to the back of the table. Slip one 3/8" Phillips Head Screw into a slot on the bottom of the Elevate Table's Cable Trough and capture with a Keps Nut, but don't tighten all the way. Leave about 1/4" of thread showing.
- Align the key-hole opening of a Clamp over the screw head and slide into place. Tighten the screw.
- Orient the Power Strip so that the end without the power cord is pointing to the installed Clamp and the outlets face the back of the table. Slide the Power Strip through the Clamp until the Clamp is at about the middle of the Strip.
- Install the second Clamp about 24-30" from the first. Slide the Power Strip into place on the second Clamp.
- Install Set Screws through each Clamp to hold the Power Strip in place.



8-32 x 3/8" Phillips Pan Hd Screw  
325-5283-00



#10-24 Keps Nut Zinc  
325-5252-00



Set Screw  
325-5200-00



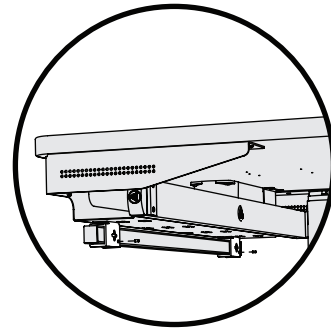
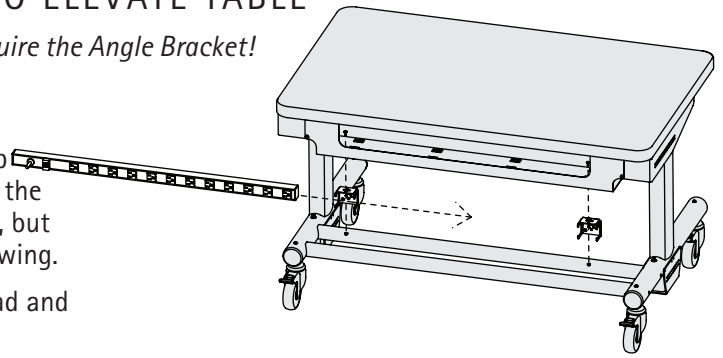
3/32" Hex Key  
375-5030-00

---

## STEP 2 – INSTALL 16-RECEPTACLE ONTO ELEVATE TABLE

*Installation of a Power Bar onto an Elevate Table does not require the Angle Bracket!*

- Locate the installation slots on the bottom of the Cable Trough. Select an installation point for one of the Clamps using the row of slots closest to the back of the table. Slip one 3/8" Phillips Head Screw into a slot on the bottom of the Elevate Table's Cable Trough and capture with a Keps Nut, but don't tighten all the way. Leave about 1/4" of thread showing.
- Align the key-hole opening of a Clamp over the screw head and slide into place. Tighten the screw.
- Repeat for the second Clamp.
- Orient the Power Strip so that the end without the power cord is pointing to the installed Clamp and the outlets face the back of the table. Slide the Power Strip through the Clamps with the outlets facing out. Secure in place with one set screw per Clamp.



8-32 x 3/8" Phillips Pan Hd Screw  
325-5283-00



#10-24 Keps Nut Zinc  
325-5252-00



Set Screw  
325-5200-00

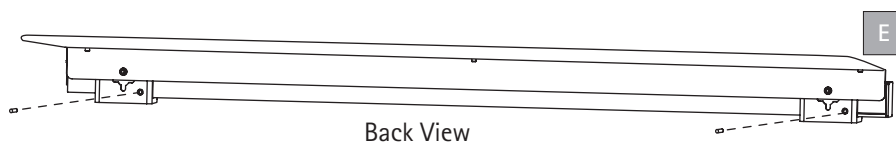
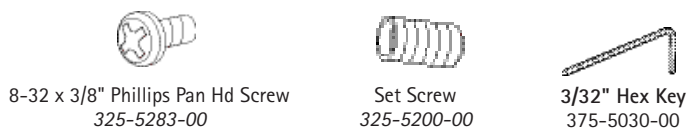
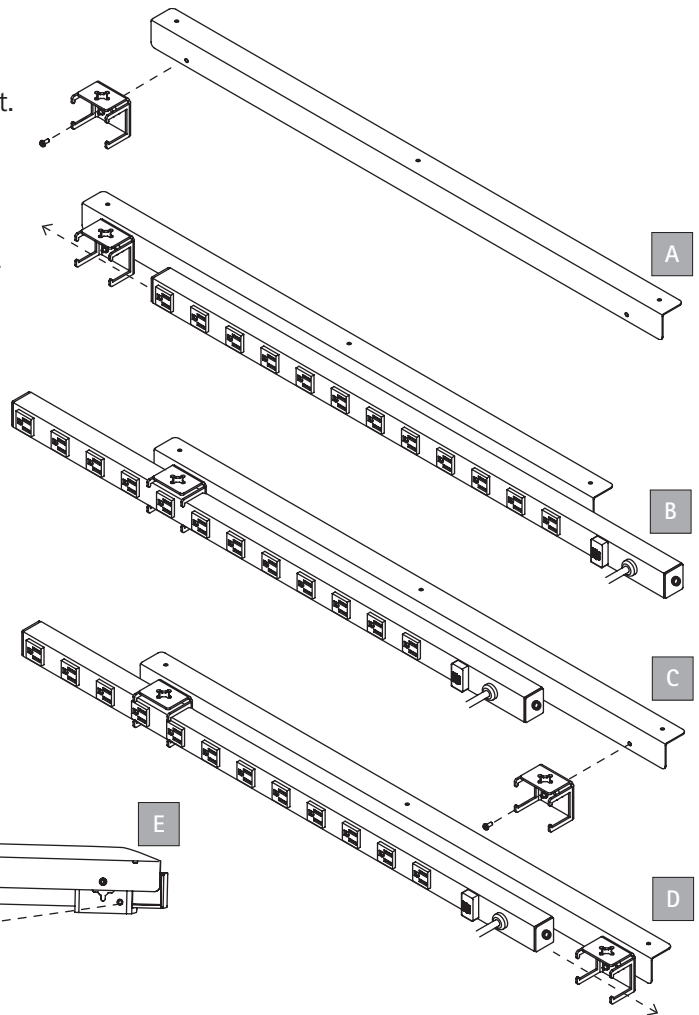


3/32" Hex Key  
375-5030-00

### STEP 3A - INSTALL 12-RECEPTACLE UNDER WORKSURFACE

#### Install Clamps onto Bracket

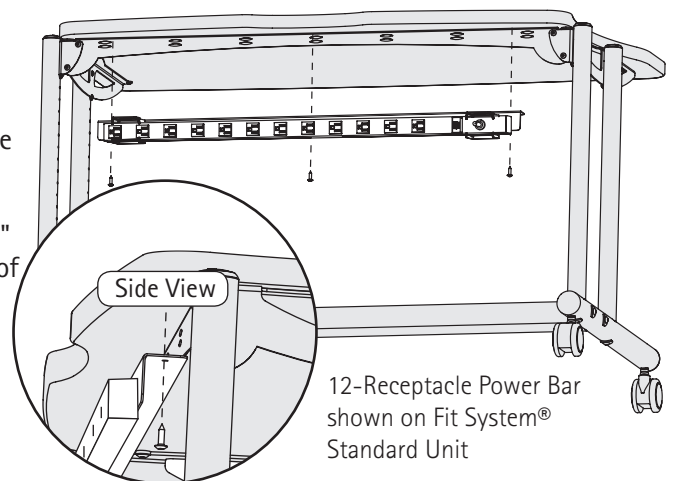
- Thread one 8-32 x 3/8" Phillips Pan Head Screw about half way into one of the two threaded holes on the Angle Bracket. Align the key-hole opening of a Clamp over the Screw and slide into place. Tighten down the Screw. [Image A]
- Orient the Power Strip so that the end without the power cord is pointing to the installed Clamp. Slide the Power Strip through the Clamp until the Clamp is at about the middle of the Strip. [B]
- Install the second Clamp onto the Angle Bracket. [C]
- Slide the Power Strip into the second Clamp. [D]
- From the back of the table, install Set Screws through each Clamp to hold the Power Strip in place. [E]



### STEP 3B - INSTALL 12-RECEPTACLE UNDER WORKSURFACE

#### Attach the Assembly to Your Table

- Predrill your worksurface for the Power Bar Assembly. NOTE: Elevate II tables are pre-drilled for the Power Bar Assembly! Align the Assembly with the bottom of your worksurface in the desired location. Use the Angle Bracket as a drill template and mark the hole positions. Remove the bracket and, using your power drill and 1/8" drill bit, drill a 1/2" deep hole for each mark. How do you make sure it's 1/2"? Measure up 1/2" from the tip of your drill bit and mark that spot with a piece of masking tape.
- Align the assembly with the holes you just drilled and attach the assembly to the table with three Wood Screws.



## STEP 4A – INSTALL 16-RECEPTACLE UNDER WORKSURFACE

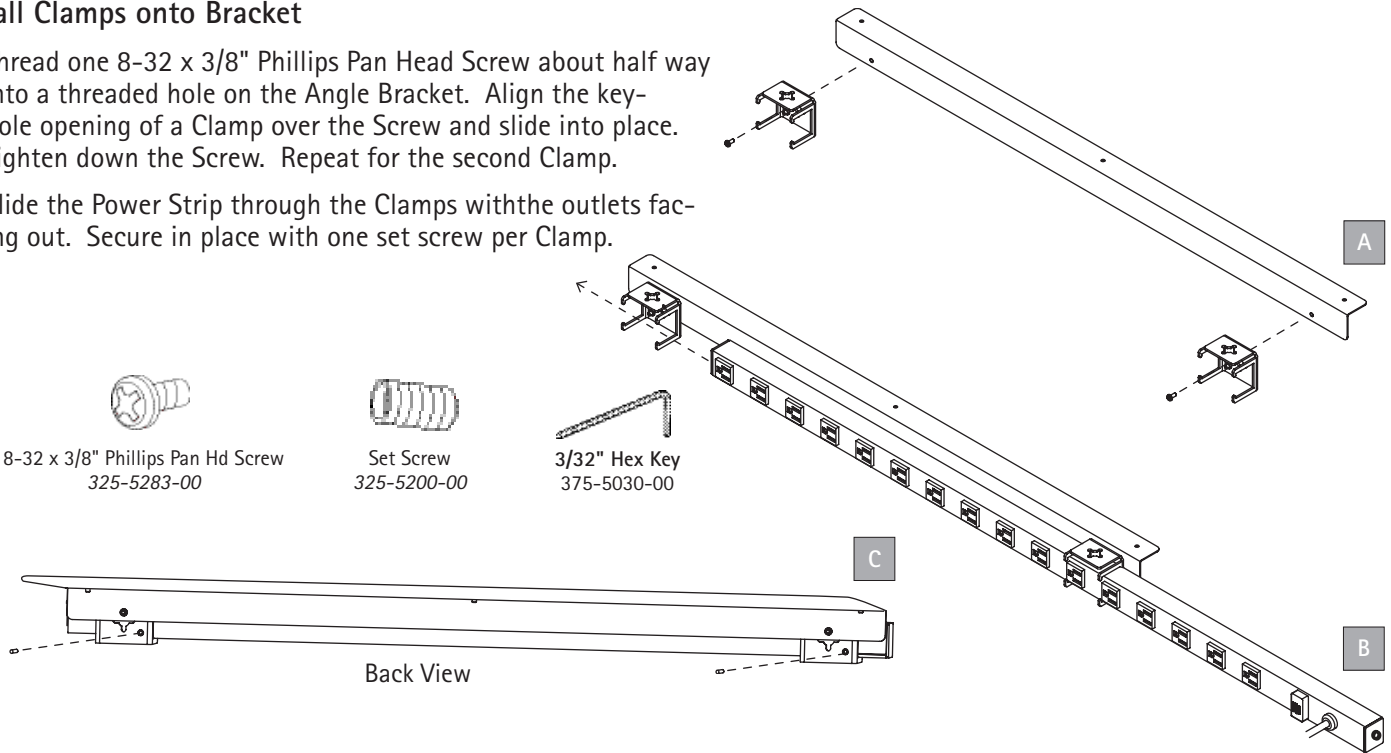
### Install Clamps onto Bracket

- Thread one 8-32 x 3/8" Phillips Pan Head Screw about half way into a threaded hole on the Angle Bracket. Align the key-hole opening of a Clamp over the Screw and slide into place. Tighten down the Screw. Repeat for the second Clamp.
- Slide the Power Strip through the Clamps with the outlets facing out. Secure in place with one set screw per Clamp.

8-32 x 3/8" Phillips Pan Hd Screw  
325-5283-00

Set Screw  
325-5200-00

3/32" Hex Key  
375-5030-00



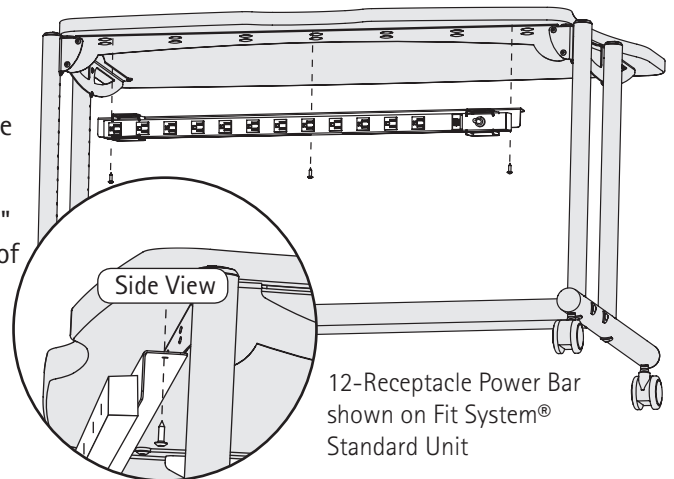
## STEP 4B – INSTALL 16-RECEPTACLE UNDER WORKSURFACE

### Attach the Assembly to Your Table

- Predrill your worksurface for the Power Bar Assembly. NOTE: Elevate II tables are pre-drilled for the Power Bar Assembly! Align the Assembly with the bottom of your worksurface in the desired location. Use the Angle Bracket as a drill template and mark the hole positions. Remove the bracket and, using your power drill and 1/8" drill bit, drill a 1/2" deep hole for each mark. How do you make sure it's 1/2"? Measure up 1/2" from the tip of your drill bit and mark that spot with a piece of masking tape.
- Align the assembly with the holes you just drilled and attach the assembly to the table with three Wood Screws.



Wood Screw  
325-5106-00



**CONGRATULATIONS! YOUR POWER BAR INSTALLATION IS COMPLETE!**



Anthro Corporation® | 10450 SW Manhasset Dr. | Tualatin, OR 97062  
Toll-free: 800.325.3841 | Fax: 800.325.0045 | email: sales@anthro.com | anthro.com  
Outside the U.S. | Tel: 503.691.2556 | Fax: 503.691.2409



300-5358-00

---

For Warranty Information, please visit:  
<http://www.anthro.com/support/warranty>

Questions? 1-800-325-3841