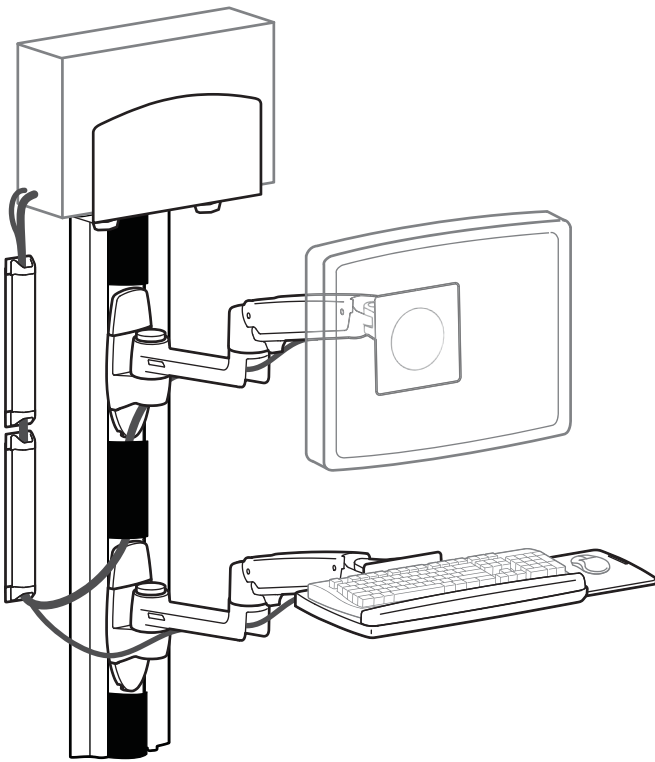


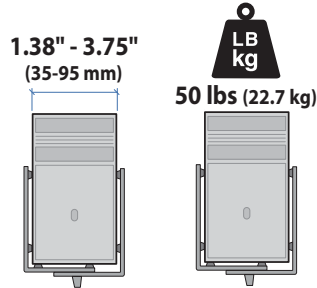
# Ergotron® LX

## Wall Mount System

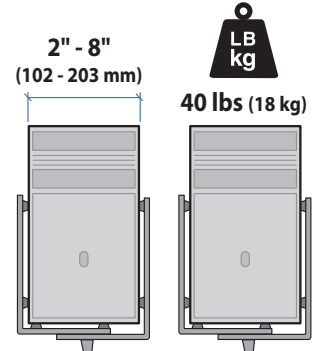
Dimensional &  
Range of Motion  
Illustrations



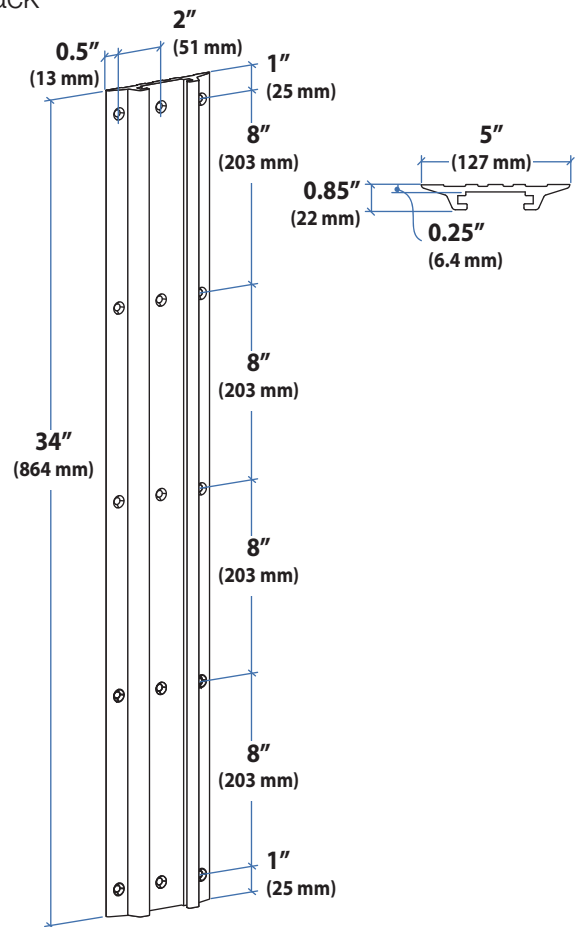
### Small CPU Holder



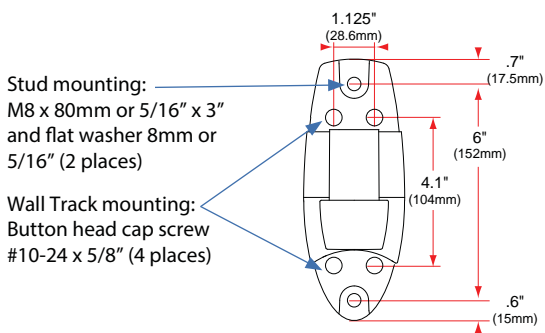
### Medium CPU Holder



### Wall Track



### Wall Mount Bracket



© 2014 Ergotron, Inc. rev. 07/17/2014 DIM-LXWMSystem Content is subject to change without notification

#### Americas Sales and Corporate Headquarters

St. Paul, MN USA  
(800) 888-8458  
+1-651-681-7600  
www.ergotron.com  
sales@ergotron.com

#### EMEA Sales

Amersfoort, The Netherlands  
+31 33 45 45 600  
www.ergotron.com  
info.eu@ergotron.com

#### APAC Sale

Tokyo, Japan  
www.ergotron.com  
apaccustomerservice@ergotron.com

#### Worldwide OEM Sales

www.ergotron.com  
info.oem@ergotron.com

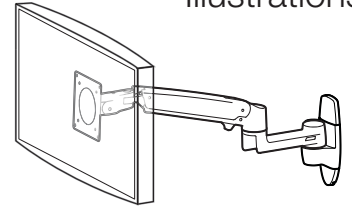


# Ergotron® LX

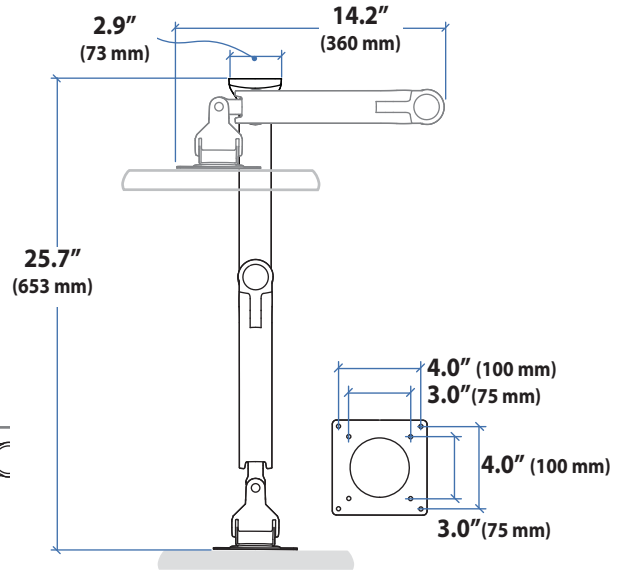
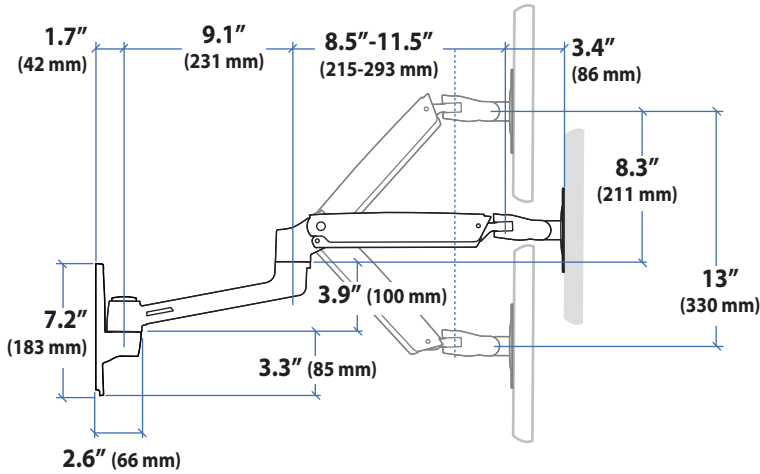
## Wall Mount System

Dimensional &  
Range of Motion  
Illustrations

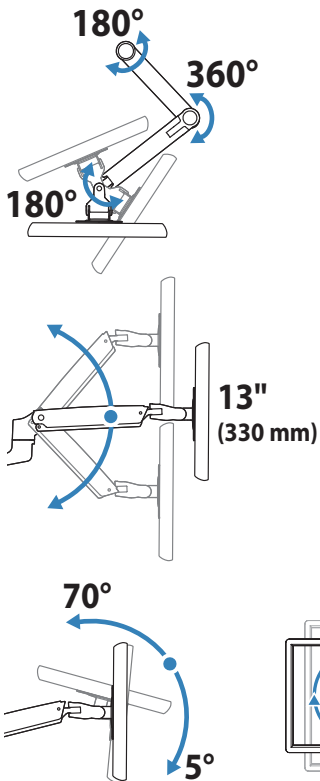
### LCD Arm



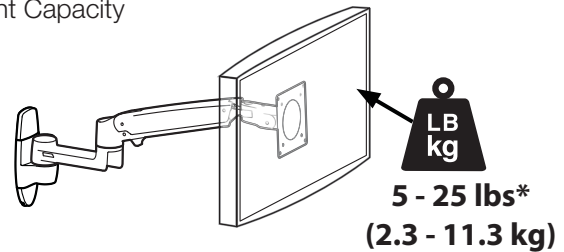
### Dimensions



### Range of Motion

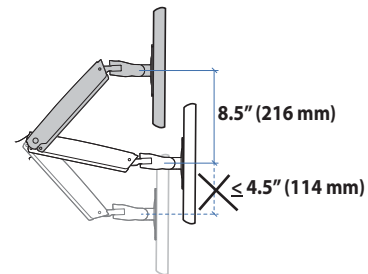


### Weight Capacity



Monitor depth greater than 2.5" (64 mm) may diminish capacity. Call Ergotron for more information.

\* The lower most range of motion for vertical lift is decreased up to 4.5" (114 mm) when arm is adjusted to hold over 20lbs (9 kgs).



© 2014 Ergotron, Inc. rev. 07/17/2014 DIM-LXWsystem Content is subject to change without notification

Americas Sales and  
Corporate Headquarters

St. Paul, MN USA  
(800) 888-8458  
+1-651-681-7600  
www.ergotron.com  
sales@ergotron.com

EMEA Sales

Amersfoort, The Netherlands  
+31 33 45 45 600  
www.ergotron.com  
info.eu@ergotron.com

APAC Sale

Tokyo, Japan  
www.ergotron.com  
apaccustomerservice@ergotron.com

Worldwide OEM Sales

www.ergotron.com  
info.oem@ergotron.com



# Ergotron® LX

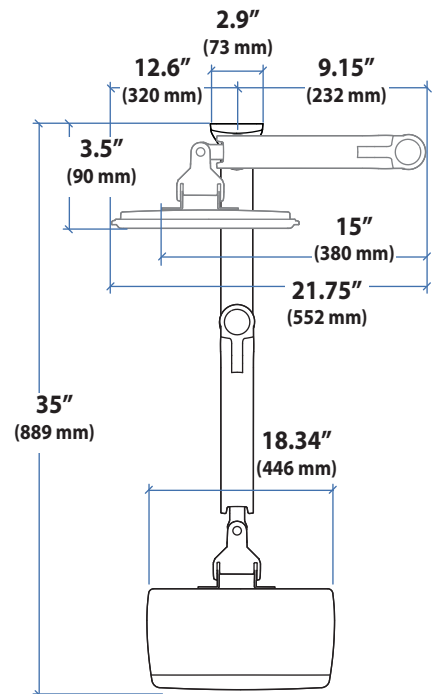
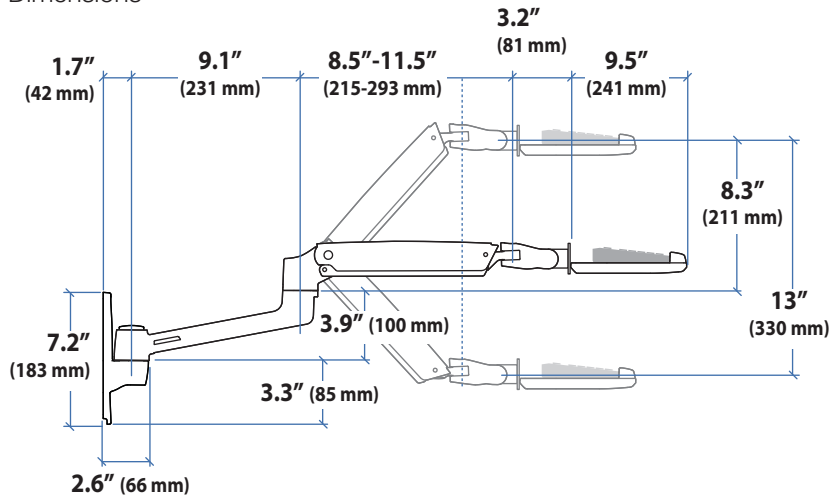
## Wall Mount System

### Dimensional & Range of Motion Illustrations

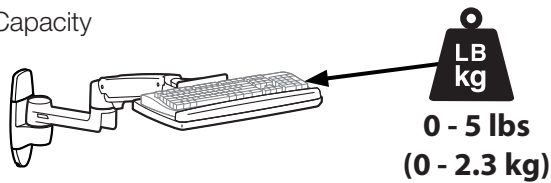
#### Keyboard Arm



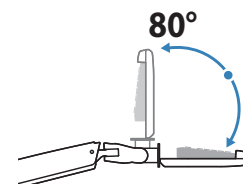
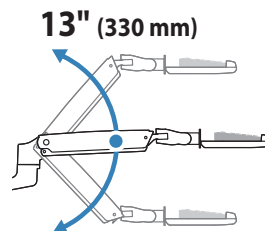
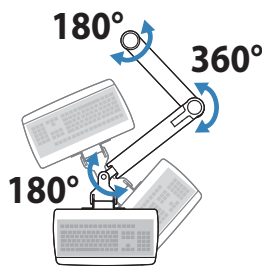
#### Dimensions



#### Weight Capacity



#### Range of Motion



© 2014 Ergotron, Inc. rev. 07/17/2014 DIM-LXWMSystem Content is subject to change without notification

#### Americas Sales and Corporate Headquarters

St. Paul, MN USA  
(800) 888-8458  
+1-651-681-7600  
www.ergotron.com  
sales@ergotron.com

#### EMEA Sales

Amersfoort, The Netherlands  
+31 33 45 45 600  
www.ergotron.com  
info.eu@ergotron.com

#### APAC Sale

Tokyo, Japan  
www.ergotron.com  
apaccustomerservice@ergotron.com

#### Worldwide OEM Sales

www.ergotron.com  
info.oem@ergotron.com

