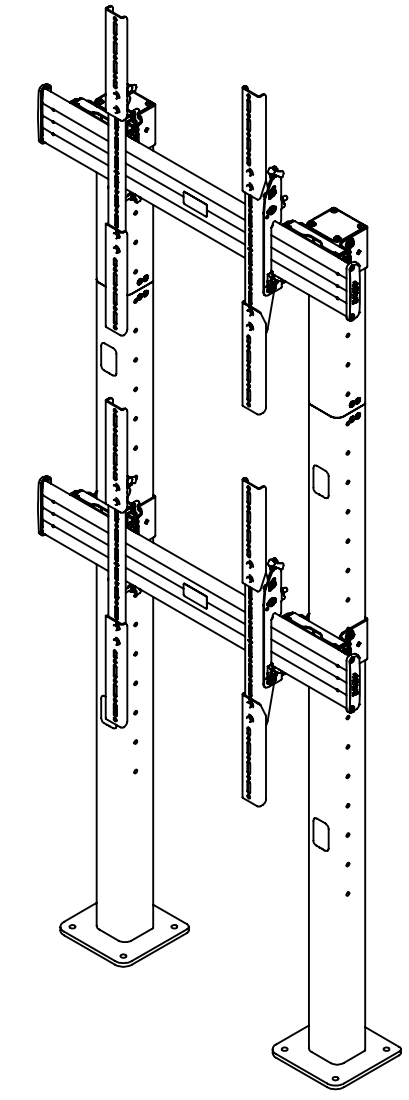
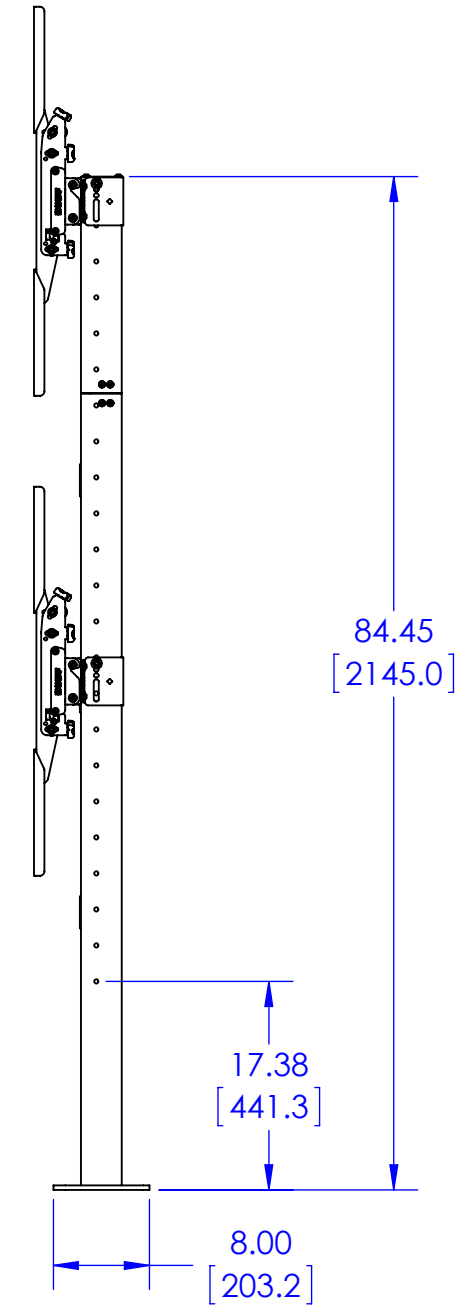


31.50  
[800.0]  
MAX MOUNTING  
PATTERN HEIGHT

82.39  
[2092.7]  
SCREEN CENTER  
MAX HEIGHT

16.38  
[416]  
SCREEN CENTER  
MIN HEIGHT

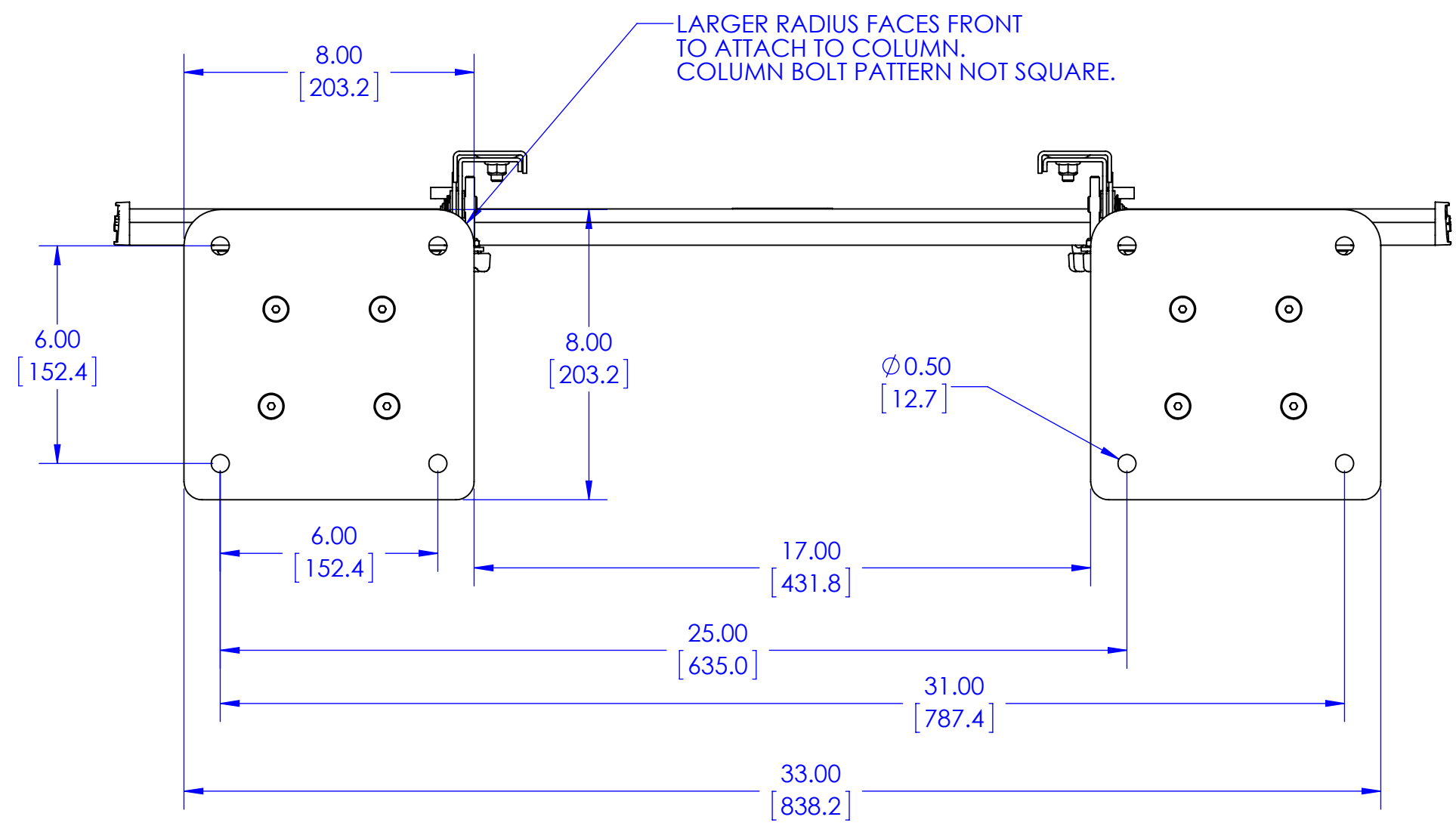
MAX WEIGHT:  
125 LBS PER DISPLAY  
250 LBS TOTAL CAPACITY



THE INFORMATION AND DESIGNS CONTAINED IN THIS DRAWING ARE CONFIDENTIAL AND THE PROPRIETARY PROPERTY OF MILESTONE AV TECHNOLOGIES NEITHER THIS DESIGN NOR ANY INFORMATION CONTAINED IN THIS DRAWING MAY BE REPRODUCED OR DISCLOSED TO OTHERS WITHOUT THE EXPRESS WRITTEN CONSENT OF MILESTONE AV TECHNOLOGIES.

CAD GENERATED DRAWING, DO NOT MANUALLY UPDATE.			6436 CITY WEST PKWY EDEN PRAIRIE MN, 55344 PHONE: 866-977-3901 FAX: 877-894-6918		
DRAWN BY	PLL	11/25/2014			
ENG APPROVAL			DESCRIPTION <b>LBM1X2UP</b>		
MFG APPROVAL					
QA APPROVAL			MODEL NO. <b>LBM1X2UP</b>		
SHEET 1 OF 2		SCALE <b>1:24</b>			SIZE <b>B</b>

# BOTTOM VIEW FOR BOLT DOWN INSTALATION



**THE INFORMATION AND DESIGNS CONTAINED IN THIS DRAWING ARE CONFIDENTIAL AND THE PROPRIETARY PROPERTY OF MILESTONE AV TECHNOLOGIES NEITHER THIS DESIGN NOR ANY INFORMATION CONTAINED IN THIS DRAWING MAY BE REPRODUCED OR DISCLOSED TO OTHERS WITHOUT THE EXPRESS WRITTEN CONSENT OF MILESTONE AV TECHNOLOGIES.**

CAD GENERATED DRAWING, DO NOT MANUALLY UPDATE.			6436 CITY WEST PKWY EDEN PRAIRIE MN, 55344 PHONE: 866-977-3901 FAX: 877-894-6918		
DRAWN BY	PLL	11/25/2014			
ENG APPROVAL			DESCRIPTION		
MFG APPROVAL			LBM1X2UP		
QA APPROVAL			MODEL NO.		
			LBM1X2UP		
SHEET 2 OF 2		SCALE	SIZE	DWG. NO.	REV.
		1:24	B	TECH-000660	00