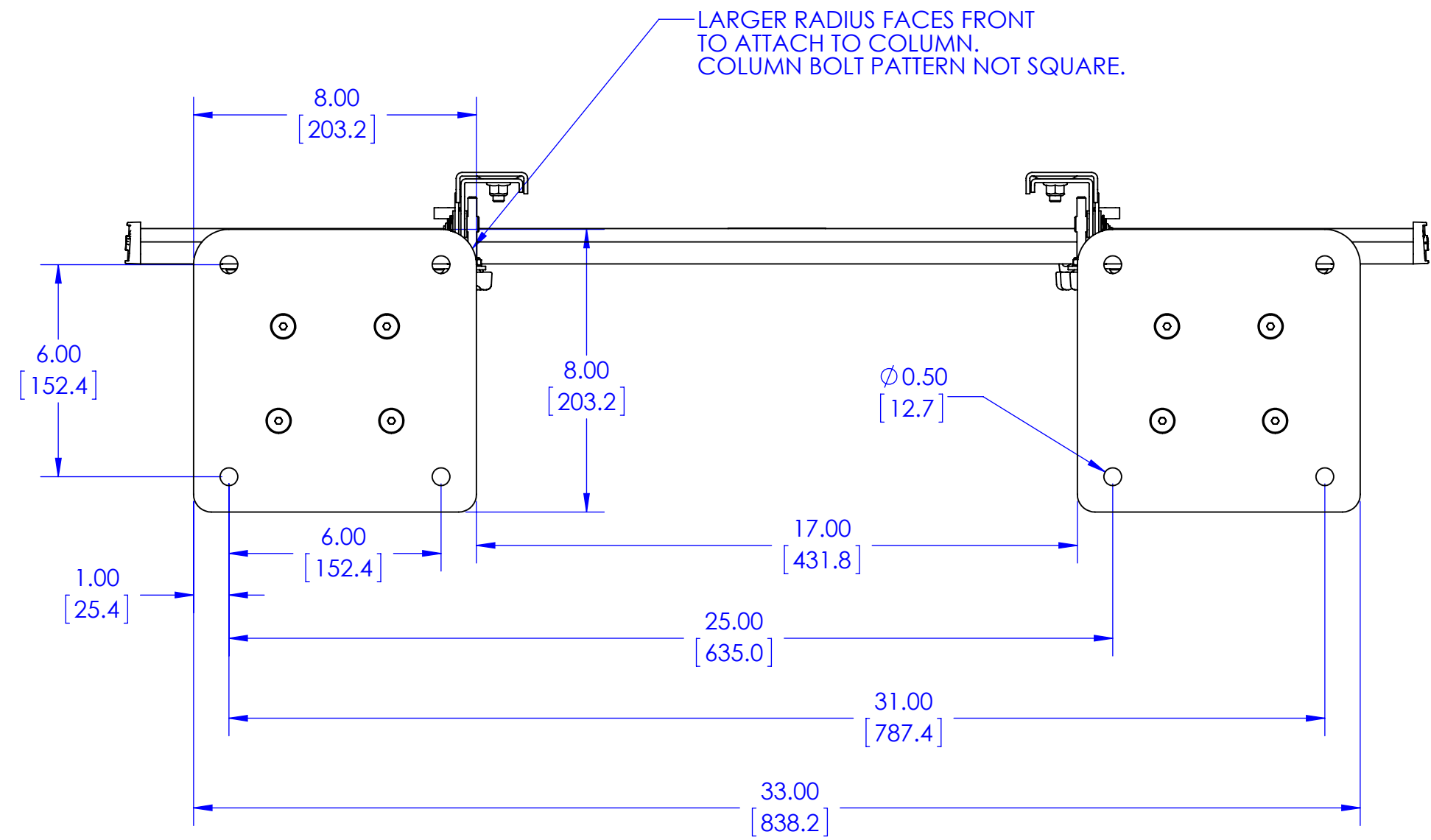


MAX WEIGHT:
250 LBS

THE INFORMATION AND DESIGNS CONTAINED IN THIS DRAWING ARE CONFIDENTIAL AND THE PROPRIETARY PROPERTY OF MILESTONE AV TECHNOLOGIES NEITHER THIS DESIGN NOR ANY INFORMATION CONTAINED IN THIS DRAWING MAY BE REPRODUCED OR DISCLOSED TO OTHERS WITHOUT THE EXPRESS WRITTEN CONSENT OF MILESTONE AV TECHNOLOGIES.

CAD GENERATED DRAWING, DO NOT MANUALLY UPDATE.			6436 CITY WEST PKWY EDEN PRAIRIE MN, 55344 PHONE: 866-977-3901 FAX: 877-894-6918		
DRAWN BY	PLL	11/21/2014			
ENG APPROVAL			DESCRIPTION		
MFG APPROVAL			XBM1UP		
QA APPROVAL			MODEL NO.		
			XBM1UP		
SHEET 1 OF 2		SCALE	SIZE	DWG. NO.	REV.
		1:24	B	TECH-000658	00

BOTTOM VIEW FOR BOLT DOWN INSTALATION



THE INFORMATION AND DESIGNS CONTAINED IN THIS DRAWING ARE CONFIDENTIAL AND THE PROPRIETARY PROPERTY OF MILESTONE AV TECHNOLOGIES NEITHER THIS DESIGN NOR ANY INFORMATION CONTAINED IN THIS DRAWING MAY BE REPRODUCED OR DISCLOSED TO OTHERS WITHOUT THE EXPRESS WRITTEN CONSENT OF MILESTONE AV TECHNOLOGIES.

CAD GENERATED DRAWING, DO NOT MANUALLY UPDATE.			6436 CITY WEST PKWY EDEN PRAIRIE MN, 55344 PHONE: 866-977-3901 FAX: 877-894-6918		
DRAWN BY	PLL	11/21/2014			
ENG APPROVAL			DESCRIPTION		
MFG APPROVAL			XBM1UP		
QA APPROVAL			MODEL NO.		
			XBM1UP		
SHEET 2 OF 2		SCALE	SIZE	DWG. NO.	REV.
		1:24	B	TECH-000658	00