



[www.ergotron.com](http://www.ergotron.com)

USA 1-800-888-8458

Europe +31 (0)33-45 45 600

China 86-769-86018920

For service and warranty visit [www.ergotron.com](http://www.ergotron.com)

Si desea información de servicio y garantía, visite [www.ergotron.com](http://www.ergotron.com)

Pour toute question concernant la garantie ou le service client, consultez [www.ergotron.com](http://www.ergotron.com)

Weitere Informationen zu Service und Gewährleistung erhalten Sie unter [www.ergotron.com](http://www.ergotron.com).

Ga voor service en garantie naar [www.ergotron.com](http://www.ergotron.com)

Per assistenza e la garanzia visitare [www.ergotron.com](http://www.ergotron.com)

Gå in på [www.ergotron.com](http://www.ergotron.com) för service och garanti

サービスおよび保証について詳しくは、[www.ergotron.com](http://www.ergotron.com) をご覧ください。

有关服务和保修，请访问 [www.ergotron.com](http://www.ergotron.com)

User's Guide  
 Guía del usuario  
 Manuel de l'utilisateur  
 Benutzerhandbuch  
 Gebruikersgids  
 Guida per l'utente  
 ユーザーガイド  
 用户指南



**Maximum Display Weight**

**2 Extensions - With 1 Arm**

Wall Mount: 9.0 kg (20 lbs)

Grommet Mount: 8.1 kg (18 lbs)

Desk Mount: 8.1 kg (18 lbs)

**Peso máximo de la pantalla**

**2 Extensiones - Con 1 brazo**

Montaje en pared: 9,0 kg (20 lbs)

Montaje con tornillo pasante: 8,1 kg (18 lbs)

Montaje de sobremesa: 8,1 kg (18 lbs)

**Poids maximum de l'écran**

**2 extensions - Avec 1 bras**

Support mural : 9,0 kg (20 livres)

Fixation Grommet : 8,1 kg (18 livres)

Support de bureau : 8,1 kg (18 livres)

**Maximales Gewicht des Displays**

**2 Verlängerungen - 1 Arm**

Wandbefestigung: 9,0 kg (20 lbs)

Direktbefestigung: 8,1 kg (18 lbs)

Tischbefestigung: 8,1 kg (18 lbs)

**Maximum displaygewicht**

**2 verlengstukken - met 1 arm**

Muurbevestiging: 9,0 kg

Oogbevestiging: 8,1 kg

Bureaubladbevestiging: 8,1 kg

**Peso massimo del display**

**2 prolunghe - Con 1 braccio**

Montaggio a parete: 9,0 kg (20 lb).

Fissaggio con foro passante: 8,1 kg (18 lb).

Fissaggio su tavolo 8,1 kg (18 lb).

**ディスプレイの最大重量**

**アーム(1本)付エクステンション(2本)**

ウォールマウント : 9.0 kg (20 lbs)

グロメットマウント : 8.1 kg (18 lbs)

デスクマウント : 8.1 kg (18 lbs)

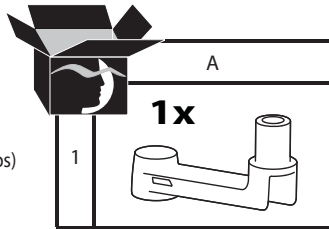
**最大显示器重量**

**1支臂2延伸臂，**

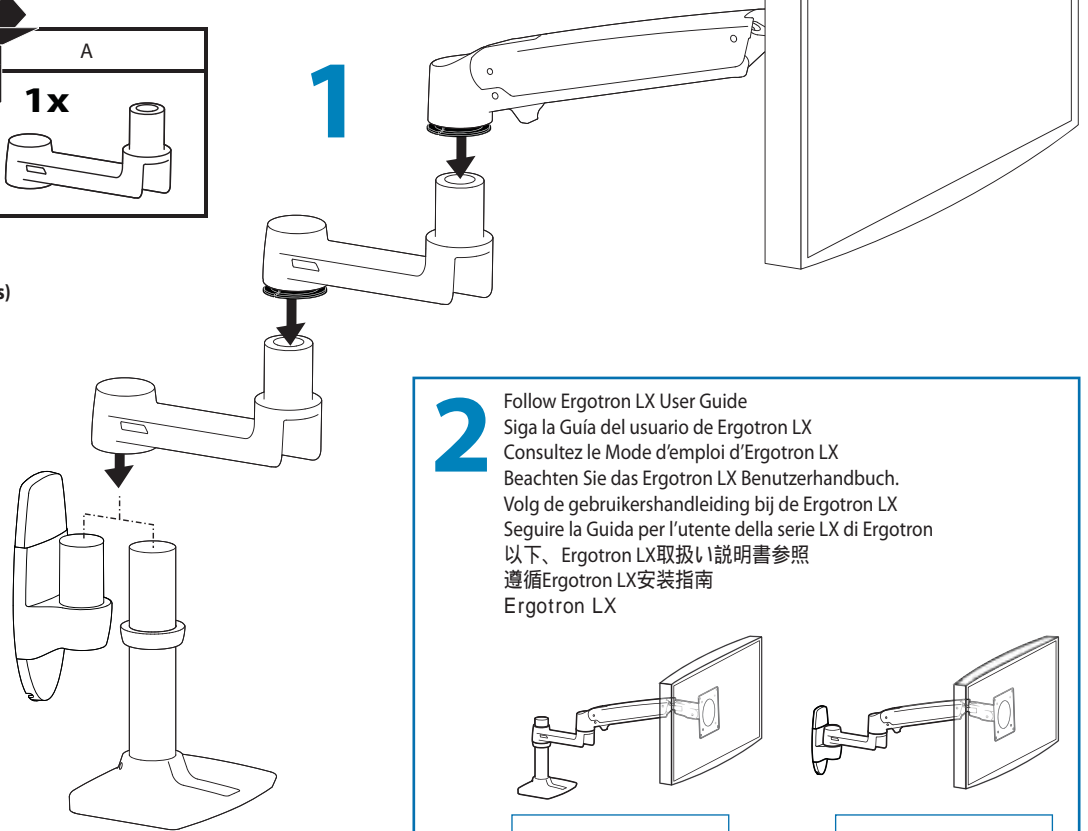
壁式安装 : 9.0 kg (20 lbs)

护孔圈安装 : 8.1 kg (18 lbs),

桌面安装 : 8.1 kg (18 lbs),



1



2

Follow Ergotron LX User Guide

Siga la Guía del usuario de Ergotron LX

Consultez le Mode d'emploi d'Ergotron LX

Beachten Sie das Ergotron LX Benutzerhandbuch.

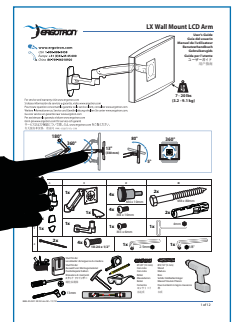
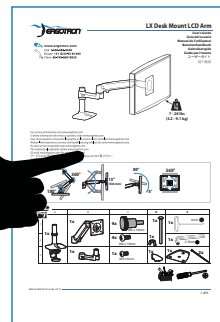
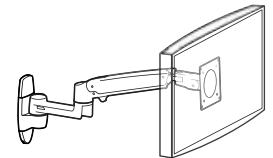
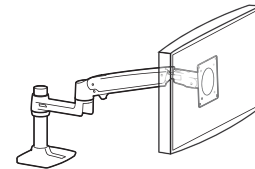
Volg de gebruikershandleiding bij de Ergotron LX

Seguire la Guida per l'utente della serie LX di Ergotron

以下、Ergotron LX取扱い説明書参照

遵循Ergotron LX安装指南

Ergotron LX



888-45-040

888-45-041

2 - 1  
 : 9.0 kg (20 )  
 : 8.1 kg (18 )  
 : 8.1 kg (18 )

© 2011 Ergotron, Inc.  
 All rights reserved.

While Ergotron, Inc. makes every effort to provide accurate and complete information on the installation and use of its products, it will not be held liable for any editorial errors or omissions (including those made in the process of translation from English to another language), or for incidental, special or consequential damages of any nature resulting from furnishing this instruction and performance of equipment in connection with this instruction. Ergotron, Inc. reserves the right to make changes in the product design and/or product documentation without notification to its users. For the most current product information, or to know if this document is available in languages other than those herein, please contact Ergotron. No part of this publication may be reproduced, stored in a retrieval system, or transmitted in any form or by any means, electronic, mechanical, photocopying, recording or otherwise without the prior written consent of Ergotron, Inc., 1181 Trapp Road, Eagan, Minnesota, 55121, USA. Patents Pending and Patented U.S. & Foreign. Ergotron is a registered trademark of Ergotron, Inc.

**Americas Sales and Corporate Headquarters**

St. Paul, MN USA  
 (800) 888-8458  
 +1-651-681-7600  
[www.ergotron.com](http://www.ergotron.com)  
[sales@ergotron.com](mailto:sales@ergotron.com)

**EMEA Sales**

Amersfoort, The Netherlands  
 +31 33 45 45 600  
[www.ergotron.com](http://www.ergotron.com)  
[info.eu@ergotron.com](mailto:info.eu@ergotron.com)

**APAC Sales**

Tokyo, Japan  
[www.ergotron.com](http://www.ergotron.com)  
[apaccustomerservice@ergotron.com](mailto:apaccustomerservice@ergotron.com)

**Worldwide OEM Sales**

[www.ergotron.com](http://www.ergotron.com)  
[info.oem@ergotron.com](mailto:info.oem@ergotron.com)