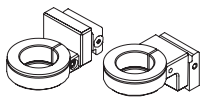
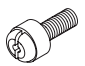
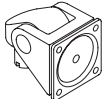
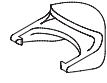
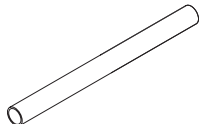
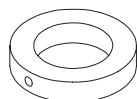
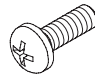



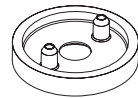

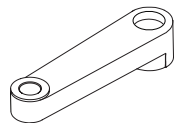



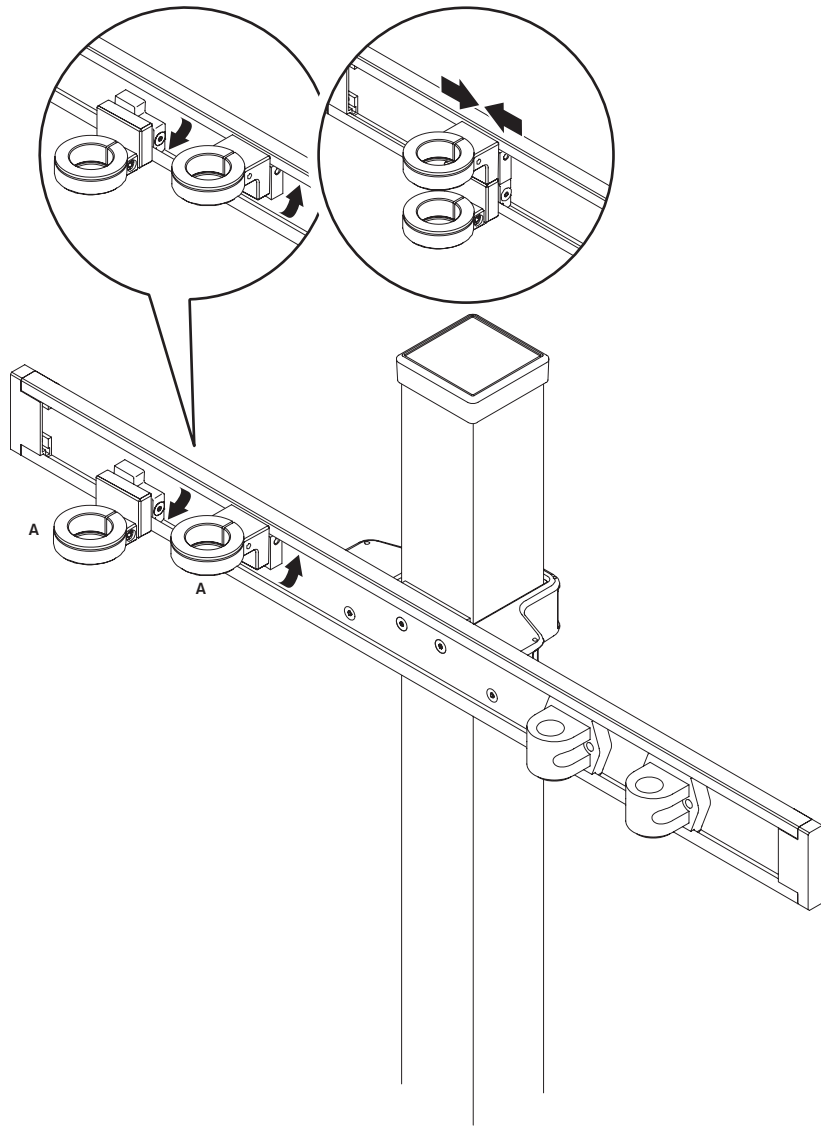


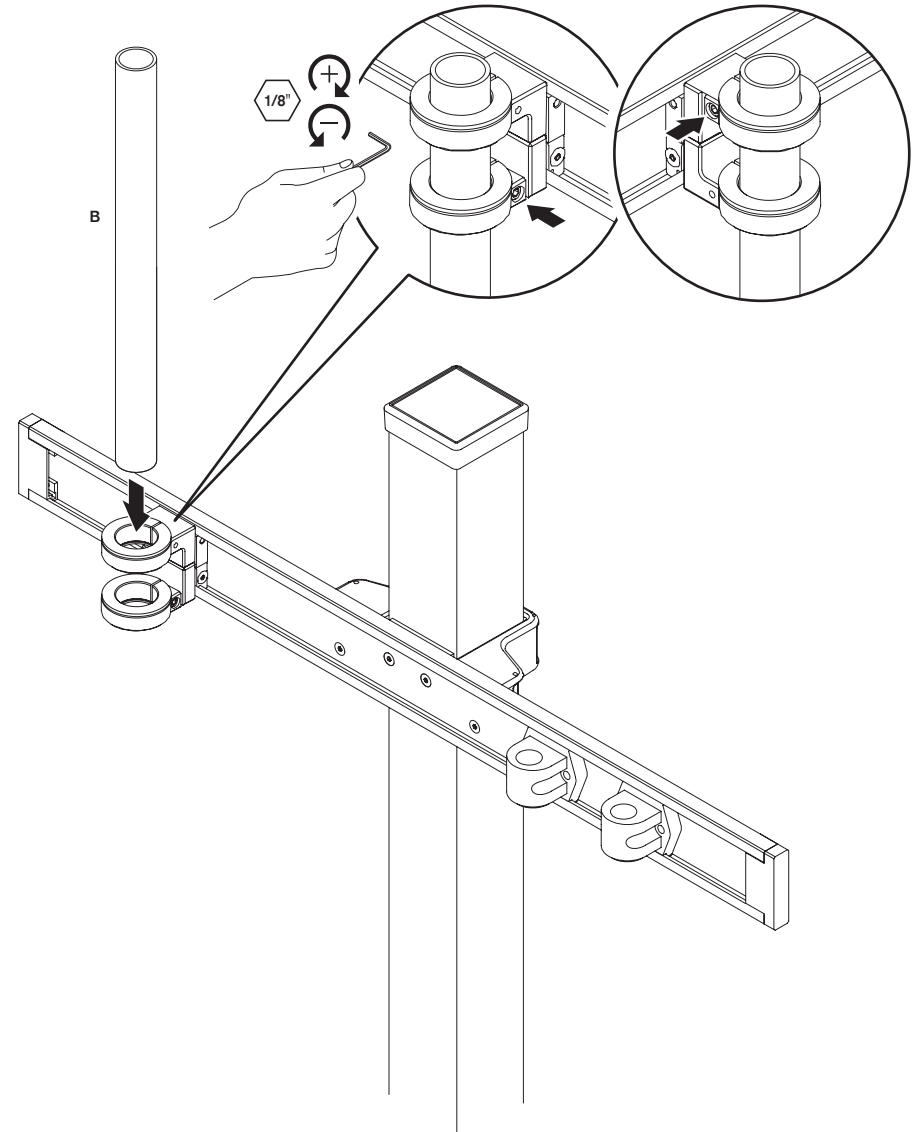
<p>A Pole Mount Cups 8483-BF</p> 	<p>E 10-32 x 1/2" Thumbscrew 700959</p> 	<p>I Standard Monitor Tilter 405397</p> 	<p>M Laptop Clip Shoe 106096</p> 
<p>B Pole - 14" 110021-14</p> 	<p>F Collar 701318</p> 	<p>J M4 x 12mm PhPHS 702096</p> 	<p>N Cable Clip 104533</p> 
<p>C Pole Cap 110022</p> 	<p>G 10-32 x 3/8" PhPHS 702281</p> 	<p>K Dog Washer 105189</p> 	<p>O 1/8" Allen Wrench 701312</p> 
<p>D Laptop Arm 105587</p> 	<p>H 75/100 mm VESA Adapter 105587</p> 	<p>L 10-32 x 3/8" FPHMS w/Lock Patch 705198</p> 	<p>P 7/32" Allen Wrench 701127</p> 

1

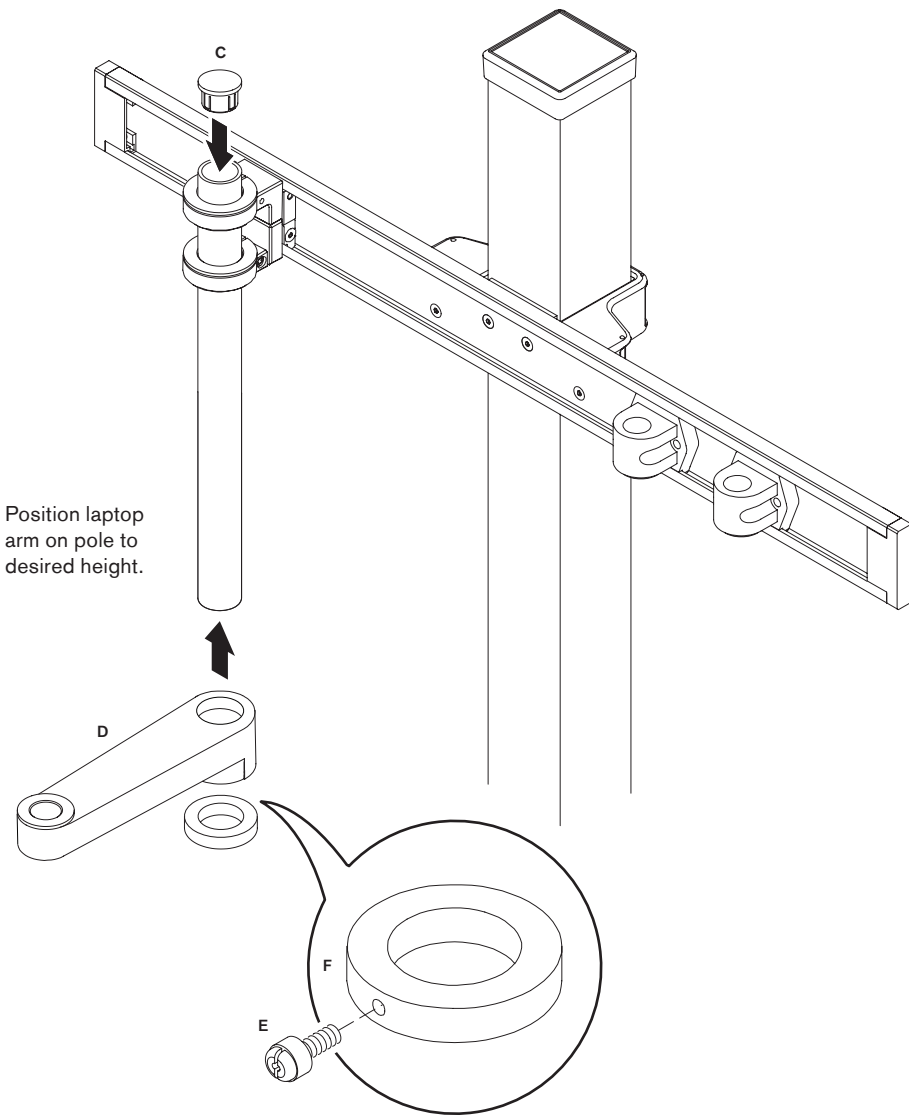


2

Insert pole into mount cups to desired position.
Secure pole by tightening the set screws on both
the lower and upper mount cup.

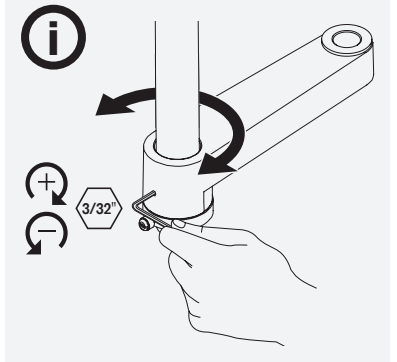
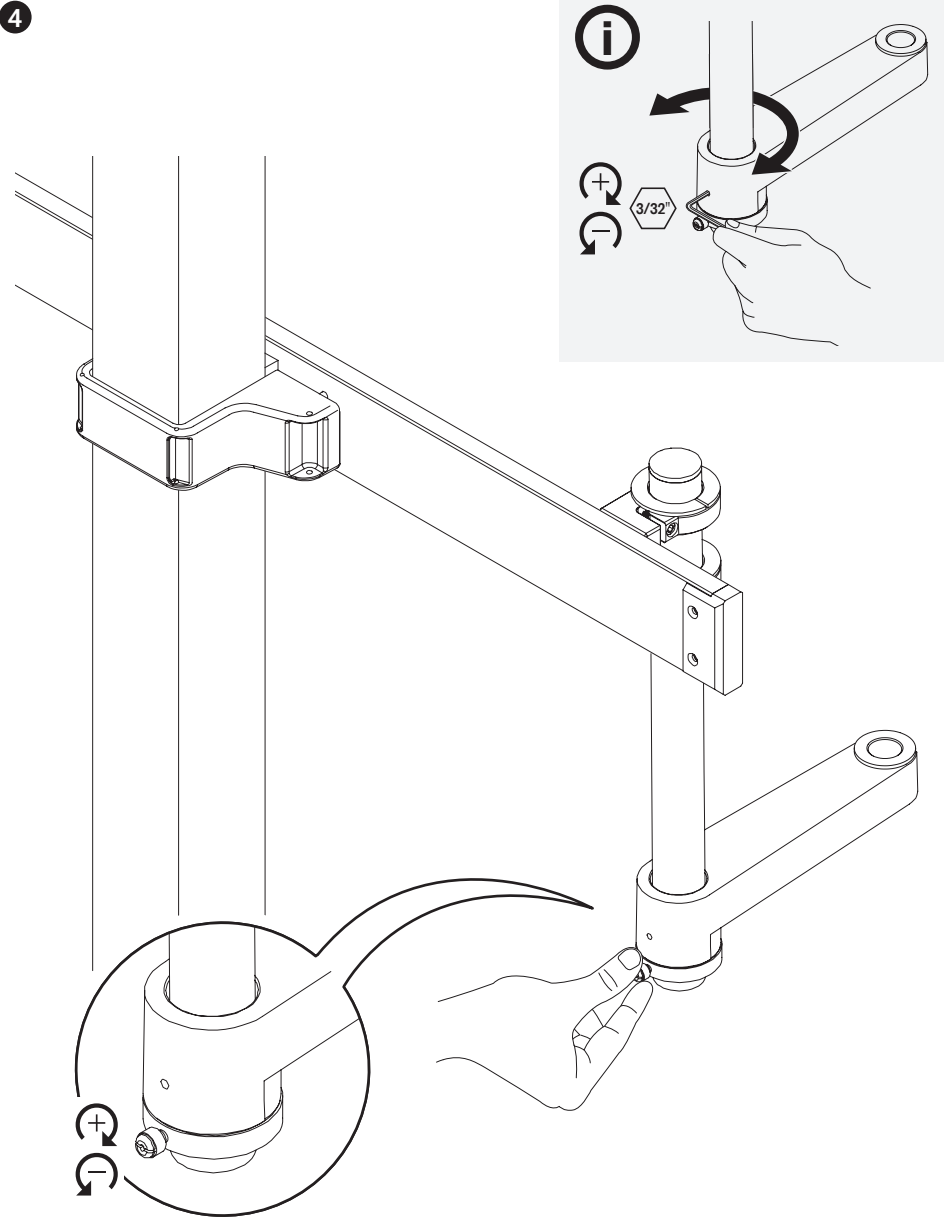


3

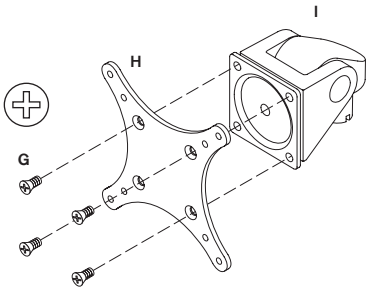


Position laptop arm on pole to desired height.

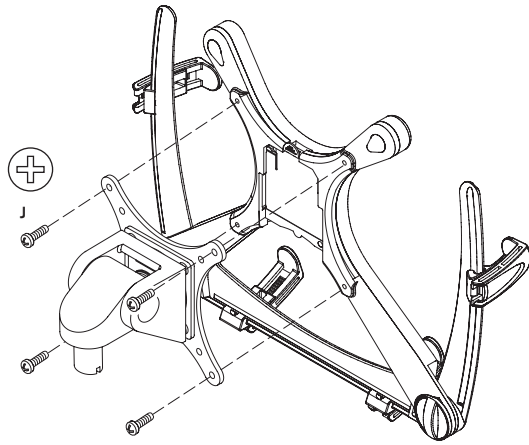
4



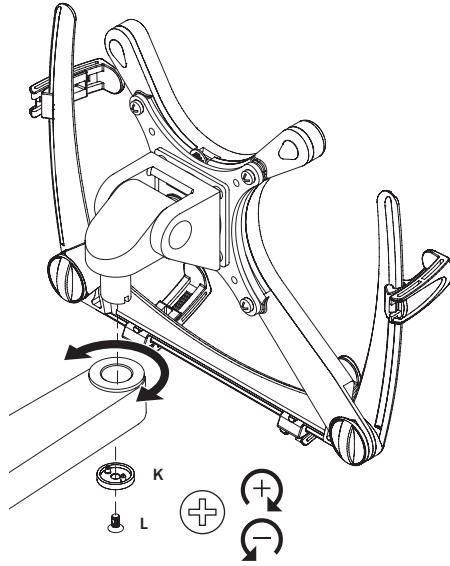
5



6

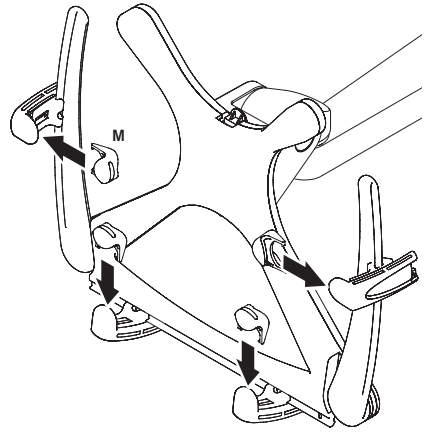


7



8

OPTIONAL
 For ultra thin laptops/tablet PCs:
 Install the laptop clip shoes that are
 provided to ensure a secure grasp.



i

