

ST630(P)



Display size
10"- 29"



Max load
80lb (36kg)

SMARTMOUNT®

Tilt Wall Mount

FOR 10" TO 29" DISPLAYS

The SmartMount® Tilt Wall Mount series offers the most versatile installation features and mounting options. Quickly and easily adjust the viewing angle without the use of tools. Security screws provided in the ST630 model deter tampering and theft. The display can now simply be installed by a single person with the Hook-and-Hang™ system. The Easy-Glide™ adaptors hook onto the wall plate for an overall quick, simple, and secure installation.

The ST630's adjustable viewing feature provides 15° of forward tilt and 5° backward tilt, creating the most optimal viewing angle.



Additional Features

- ✓ Adjustable 15° forward tilt and -5° backward tilt for finding the optimal viewing angle
- ✓ Tilt angle locks into place with simple tightening of thumbscrew
- ✓ Display is positioned only 1.58" (40mm) from wall for a low-profile application
- ✓ Display adaptor simply slides into the wall plate for quick and easy installation
- ✓ Mount accommodates displays with VESA® 75 and 100mm hole patterns
- ✓ Includes all necessary wall and display attachment hardware
- ✓ Integrated security options available
- ✓ Design is UL listed and tested to four times stated load capacity

HOOK-AND-HANG™ INSTALLATION

Display is easily installed by a single person



VESA® COMPATIBLE

Accommodates 75 and 100mm mounting patterns

TOOL-LESS TILT

Quickly adjust your viewing angle without tools

FLEXIBLE MOUNTING LOCATIONS

Mounts to wood stud, concrete, cinder or breeze block

* Requires display to be removed and reset on mount



Please visit peerless-av.com/en-us/patents for patent information.



+15°/-5° of tilt for versatile viewing angles



Comes in color packaging with included installation hardware and easy to follow instructions.

info@peerless-av.com
peerless-av.com

peerless-AV®

ST630P	SmartMount® Tilt Wall Mount for 10" to 29" Displays - standard models
ST630	SmartMount® Tilt Wall Mount for 10" to 29" Displays - security models

Product Specifications

	DIMENSIONS (W x H x D)	PRODUCT WEIGHT	LOAD CAPACITY	FINISH	AVAILABLE COLORS
ST630(P)	6.61" x 6.20" x 1.58"-2.23" (168 x 157 x 40-57mm)	2.20lb (1.00kg)	80lb (36kg)	Scratch resistant fused epoxy	Semi-gloss black

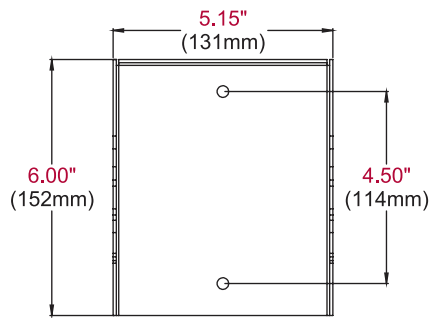
Package Specifications

	PACKAGE SIZE (W x H x D)	PACKAGE SHIP WEIGHT	PACKAGE UPC CODE	PACKAGE CONTENTS	UNITS IN PACKAGE
ST630(P)	9.38" x 2.90" x 8.25" (238 x 74 x 210mm)	2.8lb (1.3kg)	ST630: 735029236627 ST630P: 735029236641	Wall mount, wall and display installation hardware, installation instructions	1

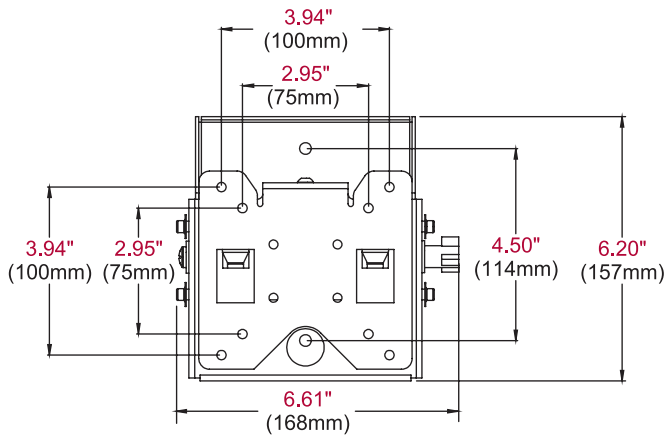
Accessories

ACC215: Metal Stud Fastener Kit

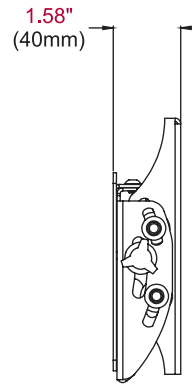
All dimensions = inch (mm)



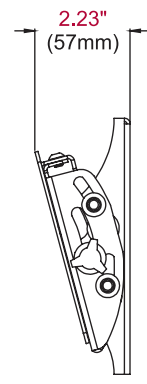
WALL PLATE



FRONT VIEW



SIDE VIEW



+15°/-5° TILT SIDE VIEW

Architect Specifications

The Smartmount® Tilt Wall Mount shall be a Peerless-AV model ST630(P) and shall be located where indicated on the plans. Assembly and installation shall be done according to instructions provided by the manufacturer.

Visit peerless-av.com to see the complete line of AV solutions from Peerless-AV, including outdoor displays, wireless, kiosks, digital audio, display mounts, projector mounts, carts/stands, and a full assortment of accessories.

Peerless-AV
2300 White Oak Circle
Aurora, IL 60502 USA
(800) 865-2112
(630) 375-5100
Fax: (800) 359-6500

Peerless-AV Europe
Unit 3 Watford Interchange
Colonial Way, Watford
Herts, WD24 4WP
United Kingdom
+44 (0) 1923 200100
Fax: +44 (0) 1923 200101

Peerless-AV de México
Ave de las Industrias 413
Parque Industrial Escobedo
Escobedo, N.L.,
Mexico 66050
+52 (81) 8384-8300
Fax: +52 (81) 8384-8360

