

ST680(P) ST680-AB/AW



SMARTMOUNT. Universal Tilt Wall Mount for 60" to 95" Flat Panel Displays

Impressive installations of large to extra large displays are made simple with the ST680. Attach the pre-tensioned universal display adaptors to the display, mount the wall plate anywhere on the wall and attach the easy-glide display adaptors to the wall plate. The wall plate holds displays weighing up to 350lb while featuring junction box access ports and horizontal display adjustment up to 12" for ideal display positioning. Its exclusive pre-tensioned display adaptor design offers quick and easy tilt viewing angle adjustment, enabling putting the final touches on the installation to be increasingly fast and simple.



Display size: 60"-95"



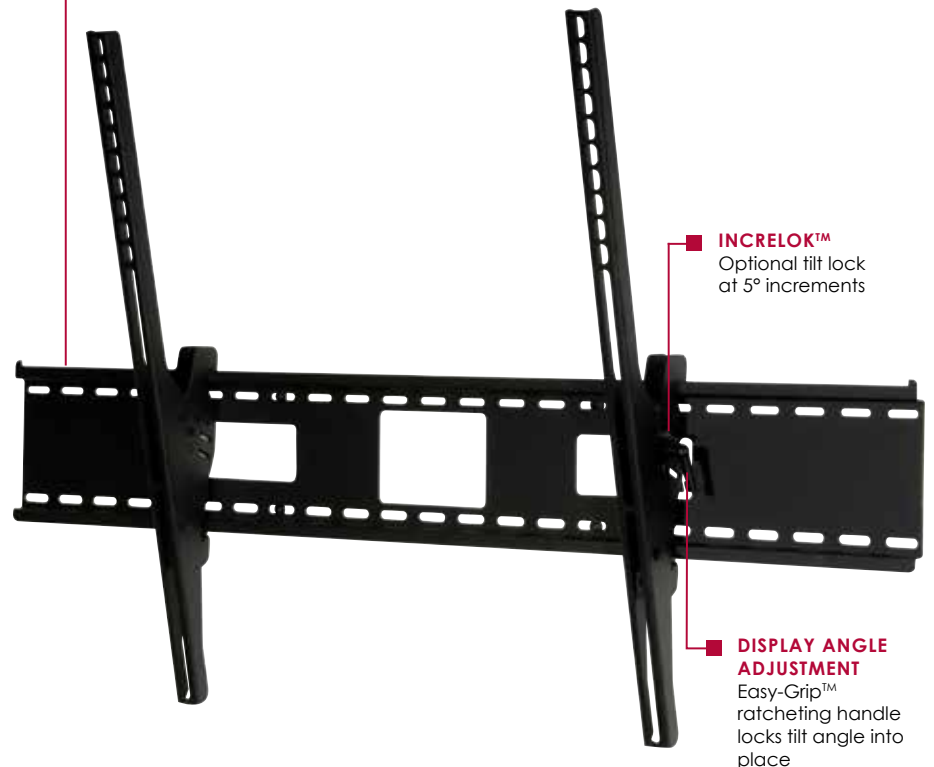
Max load: 350lb (158kg)

FEATURES

- Universal mount fits displays with mounting patterns up to 1119 x 745mm (44.04" W x 29.31" H)
- Adjustable up to 15° of forward tilt and -5° backward tilt for optimal viewing angle
- Pre-tensioned universal tilt display adaptors allow for tilt adjustment without the use of tools
- Easy-Grip™ ratcheting handle locks tilt angle into place
- Included IncreLok™ feature offers fixed tilt lock in -5°, 0°, 5°, 10°, 15
- Horizontal display adjustment of up to 12" (304mm) (depending on display model) for perfect display placement
- Universal display adaptors easily hook onto wall plate for fast installation
- Mounts to wood studs, concrete, cinder block or metal studs (metal stud accessory required)
- Comes with fastener pack with all necessary display attachment hardware
- Integrated security options available
- UL listed
- Agion® antimicrobial* finish assists in controlling the spread of infections with ST680-AB/AW models

VIEWING FLEXIBILITY

Horizontal display adjustment up to 12" (304mm) for centering display on wall



INCRELOK™

Optional tilt lock at 5° increments

DISPLAY ANGLE ADJUSTMENT

Easy-Grip™ ratcheting handle locks tilt angle into place



Adjustable +15/-5° tilt



*With max load up to 200lb (90kg)

ST680-AB/AW:



Patented. Utility Patent No. 8,313,073; 8,517,322; 8,282,059.

*Antimicrobial protection is limited to the treated article and does not protect a user against disease causing bacteria. Always clean products thoroughly after each use. Visit agion-tech.com for more details.

CLICK: www.peerless-av.com CALL: 800.865.2112 FAX: 800.359.6500

peerless-AV™

ST680P	SmartMount® Universal Tilt Wall Mount for 60" to 95" Displays - standard models
ST680(-AB/AW)	SmartMount® Universal Tilt Wall Mount for 60" to 95" Displays - security models

Product Specifications

	DIMENSIONS (W x H x D)	PRODUCT WEIGHT	LOAD CAPACITY	FINISH	AVAILABLE COLORS
ST680(-AB/AW)(P)	48.16" x 30.25" x 3.04"-8.77" (1223 x 768 x 77-223mm)	15.4lb (6.9kg)	350lb (158kg)	Matte	ST680(P) Black ST680-AB Antimicrobial* black ST680-AW Antimicrobial* white

* Antimicrobial protection is limited to the treated article and does not protect a user against disease causing bacteria. Always clean products thoroughly after each use. Visit www.agion-tech.com for more details.

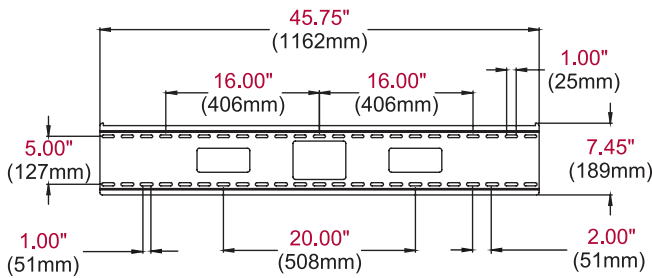
Package Specifications

	PACKAGE SIZE (W x H x D)	PACKAGE SHIP WEIGHT	PACKAGE UPC CODE	PACKAGE CONTENTS	UNITS IN PACKAGE
ST680(-AB/AW)(P)	46.75" x 8.63" x 3.88" (219 x 119 x 99mm)	18.2lb (8.2kg)	ST680: 735029242314 ST680P: 735029242338 ST680-AB: 735029281559 ST680-AW: 735029281566	Wall plate, universal display adaptors, mounting and display attachment hardware	1

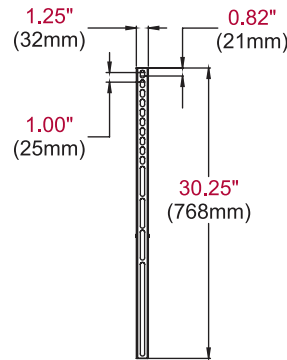
Accessories

- ACC615:** 6-pack Metal Stud Fastener Kit
- ACC309:** Video Conference Shelf

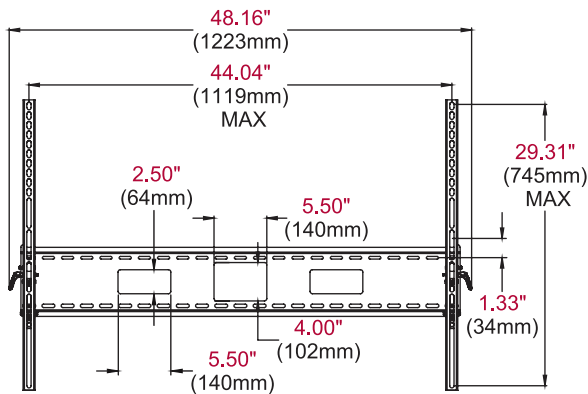
All dimensions = inch (mm)



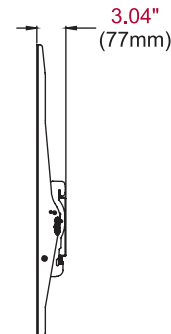
WALL PLATE



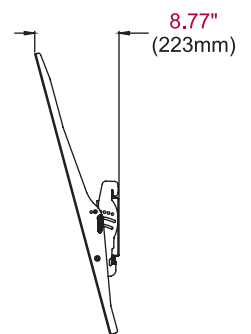
ADAPTOR BRACKET



FRONT VIEW



SIDE VIEW



+15°/-5° TILT SIDE VIEW

ARCHITECTS SPECIFICATIONS

The SmartMount® Universal Tilt Wall Mount shall be a Peerless-AV model ST680(-AB/AW)(P) and shall be located where indicated on the plans. Assembly and installation shall be done according to instructions provided by the manufacturer.