

**Dedicated Tilt Wall Mount to Metal Stud Walls
(Metal Stud Accessory Kit ACC 415 Required)**

**Models: SF 24D,
ST 24D**

⚠ WARNING

- Drywall must be 1/2" or thicker, and metal stud must be 24 gauge or thicker.
- Make sure that the supporting surface will safely support the combined load of the equipment and all attached hardware and components.

1 Using a stud finder, locate the edges of the metal studs. Use of an edge-to-edge stud finder is highly recommended. Based on its edges and using a level, draw a vertical line down the center of each stud. Mark a point (**point 1**) on the right stud centerline 2.1" above the center of screen as shown in figure 1.1. Hold wall plate (**AA**) over point 1. Using a level to ensure plate is horizontal, mark three more points (**points 2, 3, and 4**) as shown in figure 1.2.

Drill four 1/2" diameter holes through drywall and metal studs at the four points. **Note:** It may be necessary to drill 5/32" pilot holes prior to drilling 1/2" holes.

Refer to instruction sheet included with Peerless accessory kit ACC 415 for metal studs to install togglers. Loosely fasten wall plate (**AA**) to wall using four 1/4-20 x 2-1/2" screws as shown in figure 1.3.

Note: For ease of installation, start with the top right wood screw first and work counterclockwise.

Level, hold, and then tighten all screws.

Skip to step 2 on page 6 of main instruction sheet.

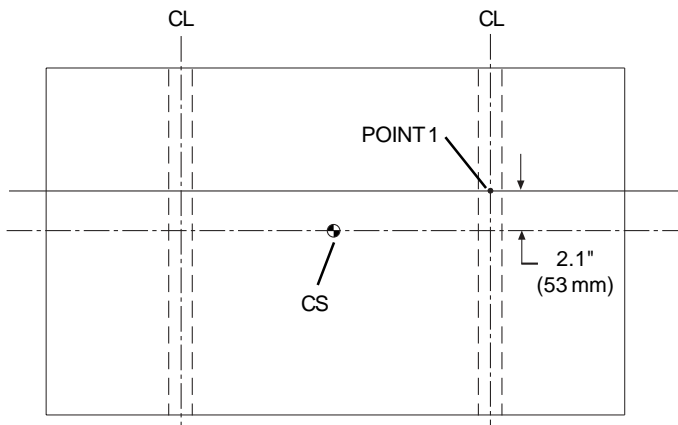


fig 1.1

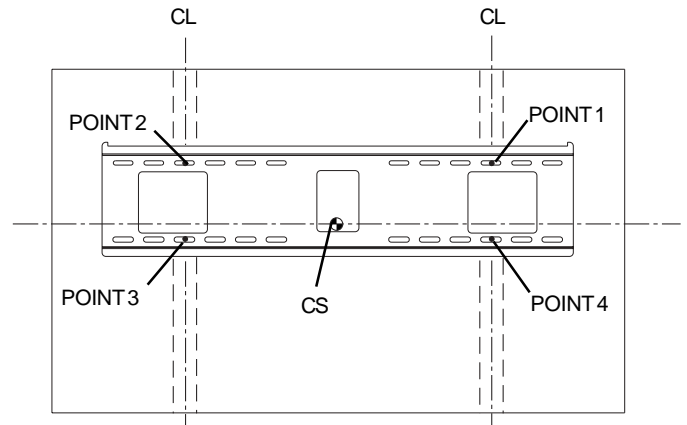


fig 1.2

CS = center of screen
CL = stud centerline

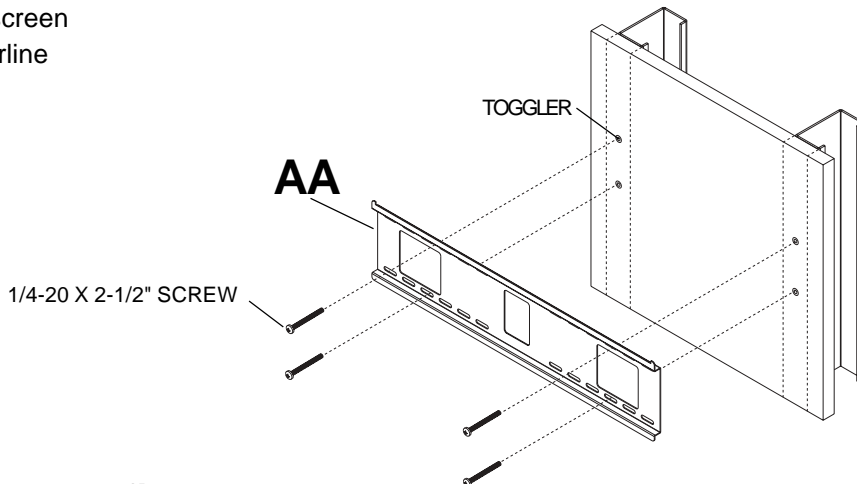


fig 1.3