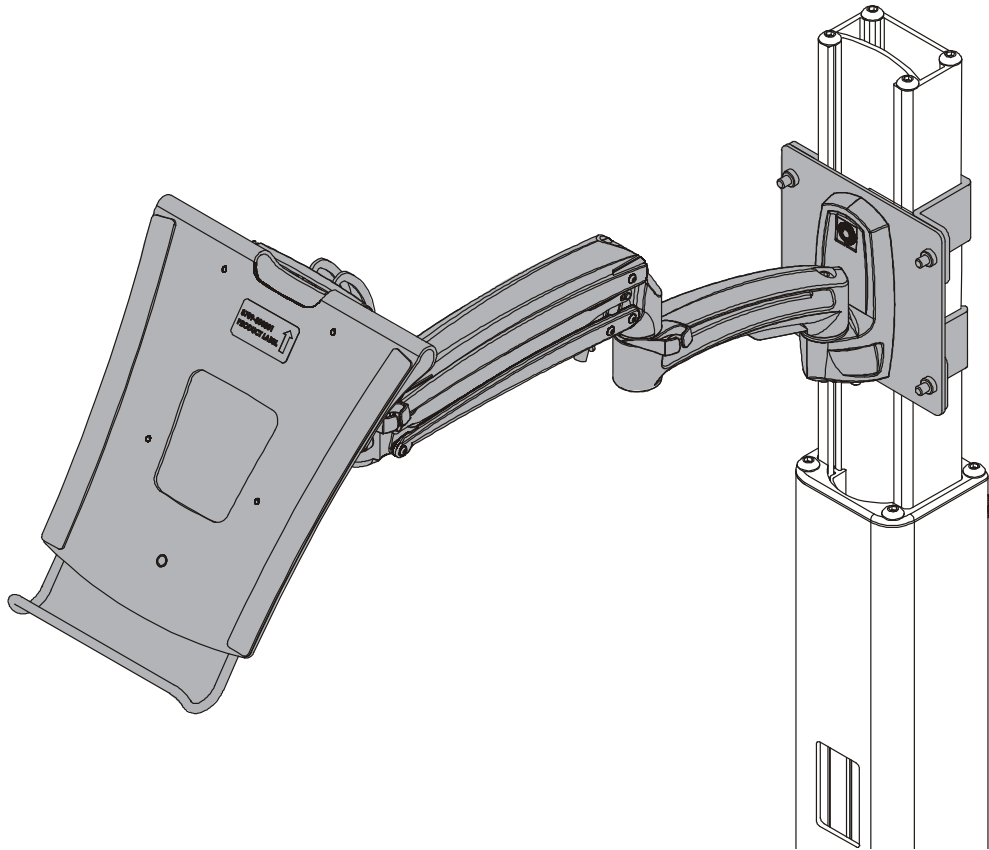


---

# INSTALLATION INSTRUCTIONS

---



---

**Music Stand Laptop Tray**

---

## DISCLAIMER

Milestone AV Technologies, and its affiliated corporations and subsidiaries (collectively, "Milestone"), intend to make this manual accurate and complete. However, Milestone makes no claim that the information contained herein covers all details, conditions or variations, nor does it provide for every possible contingency in connection with the installation or use of this product. The information contained in this document is subject to change without notice or obligation of any kind. Milestone makes no representation of warranty, expressed or implied, regarding the information contained herein. Milestone assumes no responsibility for accuracy, completeness or sufficiency of the information contained in this document.

Chief® is a registered trademark of Milestone AV Technologies. All rights reserved.

## DEFINITIONS

**MOUNTING SYSTEM:** A MOUNTING SYSTEM is the primary Chief product to which an accessory and/or component is attached.

**ACCESSORY:** AN ACCESSORY is the secondary Chief product which is attached to a primary Chief product, and may have a component attached or setting on it.

**COMPONENT:** A COMPONENT is an audiovisual item designed to be attached or resting on an accessory or mounting system such as a video camera, CPU, screen, display, projector, etc.



**WARNING:** A WARNING alerts you to the possibility of serious injury or death if you do not follow the instructions.



**CAUTION:** A CAUTION alerts you to the possibility of damage or destruction of equipment if you do not follow the corresponding instructions.



## IMPORTANT SAFETY INSTRUCTIONS!



**WARNING:** Failure to read, thoroughly understand, and follow all instructions can result in serious personal injury, damage to equipment, or voiding of factory warranty! It is the installer's responsibility to make sure all mounting systems/accessories are properly assembled and installed using the instructions provided.



**WARNING:** Failure to provide adequate structural strength for this mounting system can result in serious personal injury or damage to equipment! It is the installer's responsibility to make sure the structure to which this mounting system is attached can support five times the combined weight of all equipment. Reinforce the structure as required before installing the mounting system.



**WARNING:** Exceeding the weight capacity can result in serious personal injury or damage to equipment! It is the installer's responsibility to make sure the combined weight of all components and accessories does not exceed 15 lbs (6.8 kg).



**WARNING:** Use this mounting system only for its intended use as described in these instructions. Do not use attachments not recommended by the manufacturer.



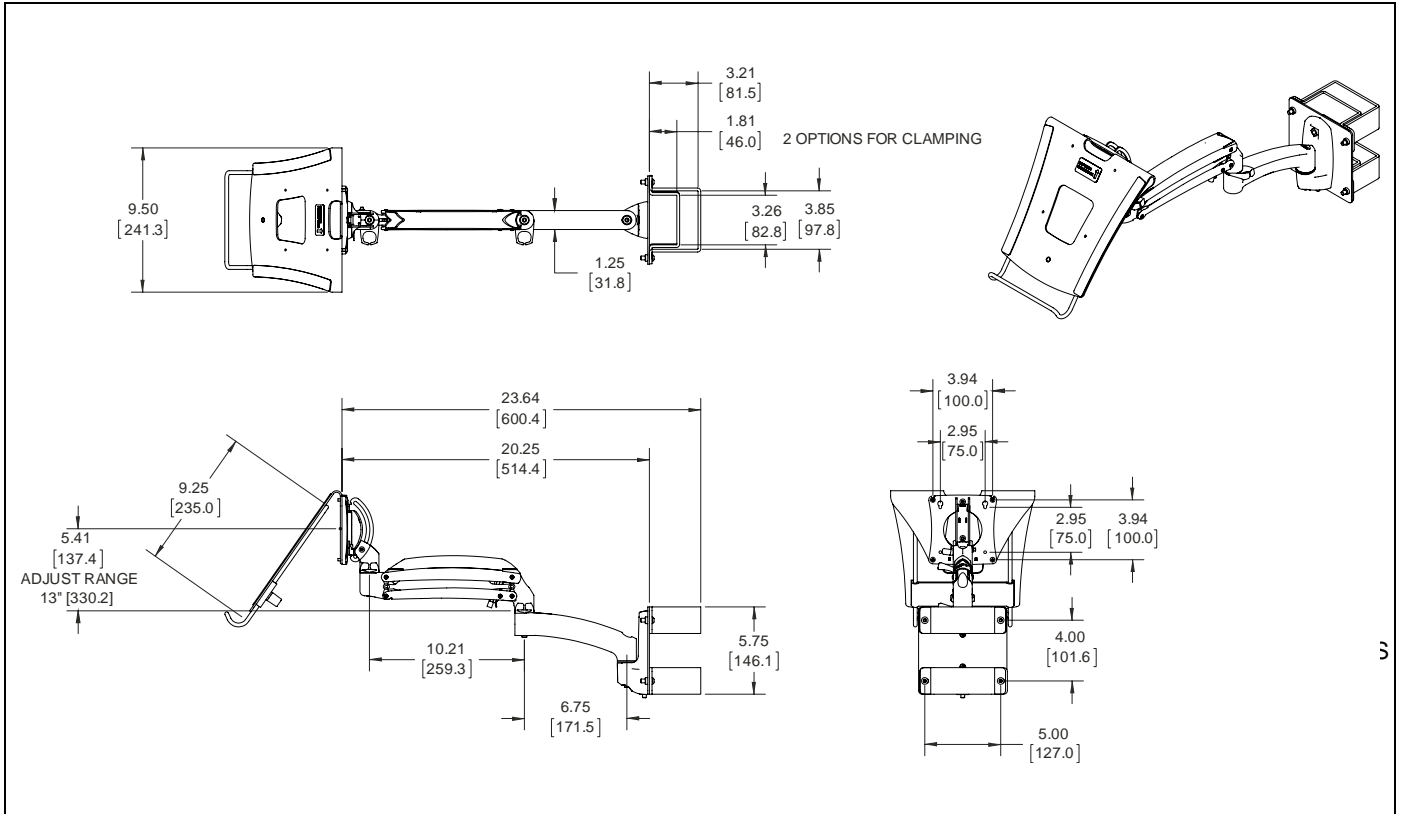
**WARNING:** Never operate this mounting system if it is damaged. Return the mounting system to a service center for examination and repair.



**WARNING:** Do not use this product outdoors.

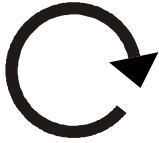

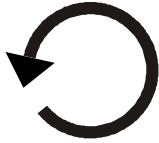

**--SAVE THESE INSTRUCTIONS--**

**DIMENSIONS**

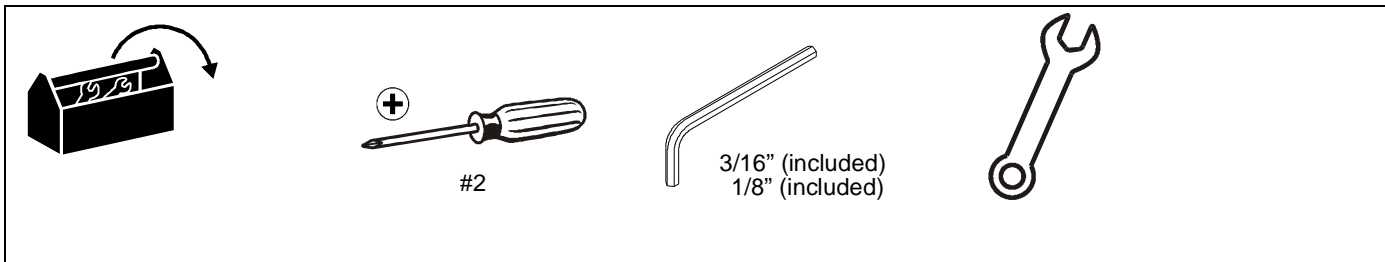


3

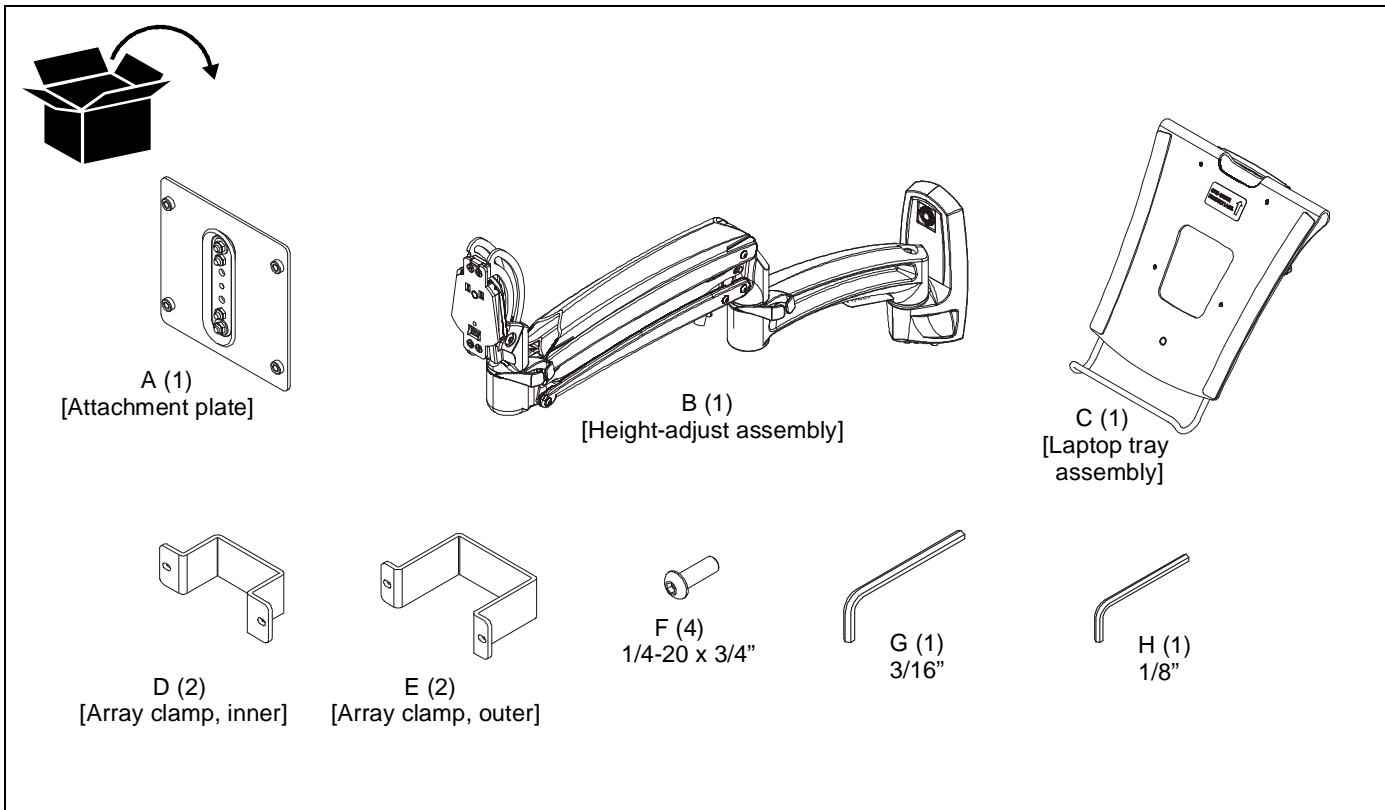
**LEGEND**

	<b>Tighten Fastener</b>		<b>Phillips Screwdriver</b>
	Apretar elemento de fijación		Destornillador Phillips
	Befestigungsteil festziehen		Kreuzschlitzschraubendreher
	Apertar fixador		Chave de fendas Phillips
	Serrare il fissaggio		Cacciavite a stella
	Bevestiging vastdraaien		Kruiskopschroevendraaier
Serrez les fixations	Tournevis à pointe cruciforme		
	<b>Loosen Fastener</b>		<b>Hex-Head Wrench</b>
	Aflojar elemento de fijación		Llave de cabeza hexagonal
	Befestigungsteil lösen		Sechskantschlüssel
	Desapertar fixador		Chave de cabeça sextavada
	Allentare il fissaggio		Chiave esagonale
	Bevestiging losdraaien		Zeskantsleutel
Desserrez les fixations	Clé à tête hexagonale		

**TOOLS REQUIRED FOR INSTALLATION**



**PARTS**



## ASSEMBLY AND INSTALLATION

### Assembling Height-Adjust Arm to Cart/Stand

- Choose appropriate array clamps to attach bracket assembly to cart/stand.
  - Array clamp, outer (E) is used to attachment plate (A) to OUTER column of cart/stand (below adjustment knob).
  - Array clamp, inner (D) is used to attachment plate (A) to INNER column of cart/stand (above adjustment knob).
- Attach two array clamps (D or E) around cart/stand column to attachment plate assembly (A) using four 1/4-20 x 3/4" button head cap screws (F). (See Figure 1)

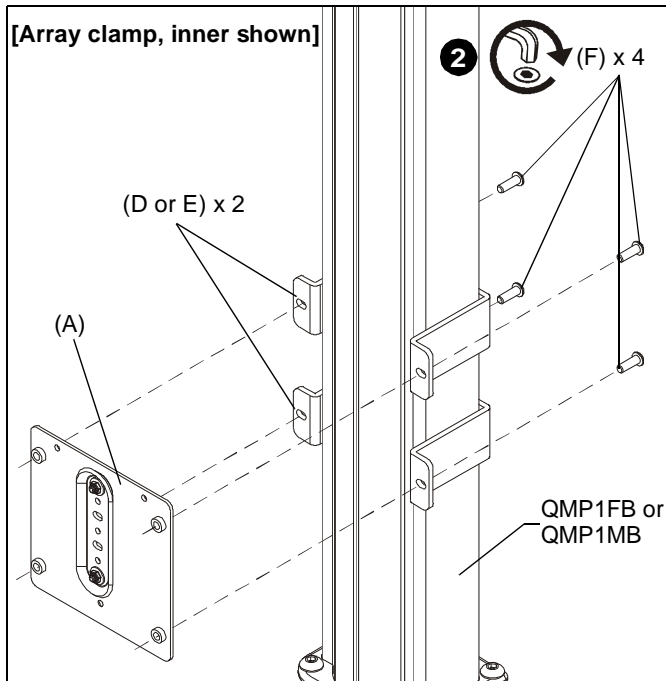


Figure 1

- Insert top of height-adjust assembly (B) over lip on top of attachment plate assembly. (See Figure 2)

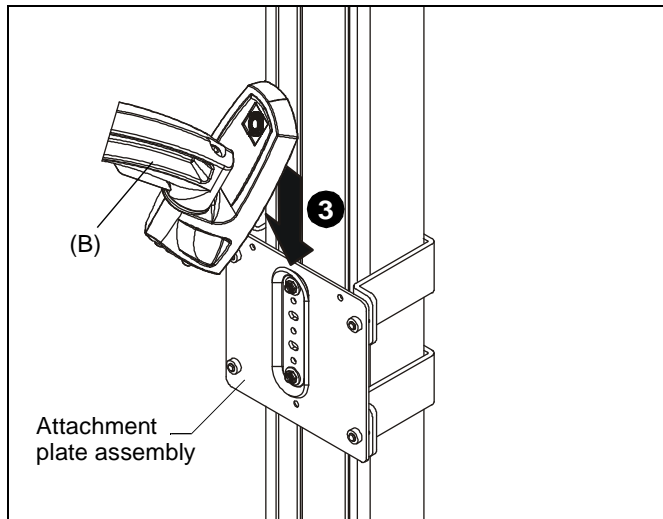


Figure 2

- Swing height-adjust assembly (B) down flush against attachment plate assembly. (See Figure 3)

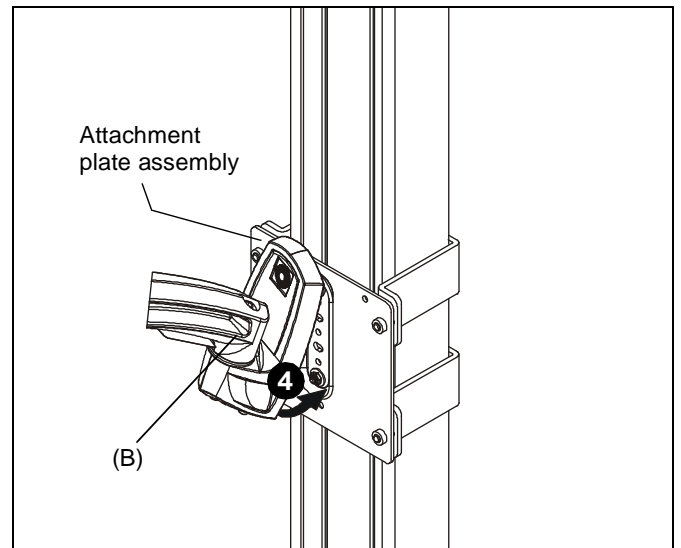


Figure 3

- Tighten set screw using 3/16" hex key (G). (See Figure 4)



**CAUTION:** IMPROPER INSTALLATION CAN LEAD TO ACCESSORY FALLING CAUSING SERIOUS PERSONAL INJURY OR DAMAGE TO EQUIPMENT! Make sure set screw engages back side of bracket on attachment plate. (See Figure 4)

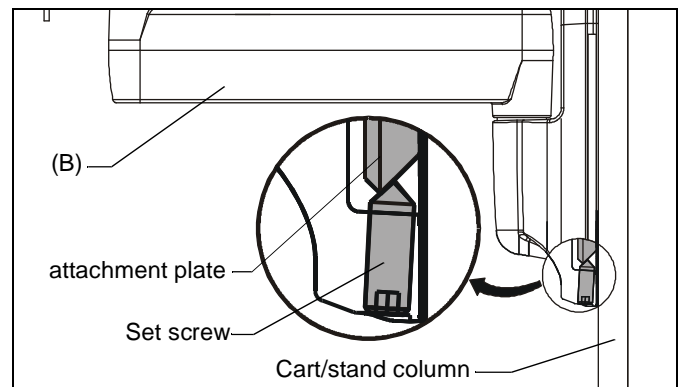


Figure 4

## Assembling Laptop Tray Assembly to Cart/Stand

1. Slide laptop tray (C) onto mounting head until quick release tab clicks into place. (See Figure 5)
2. Adjust mounting arm and tray to desired mounting level. See monitor arm installation instructions for adjustment details. (See Figure 5)

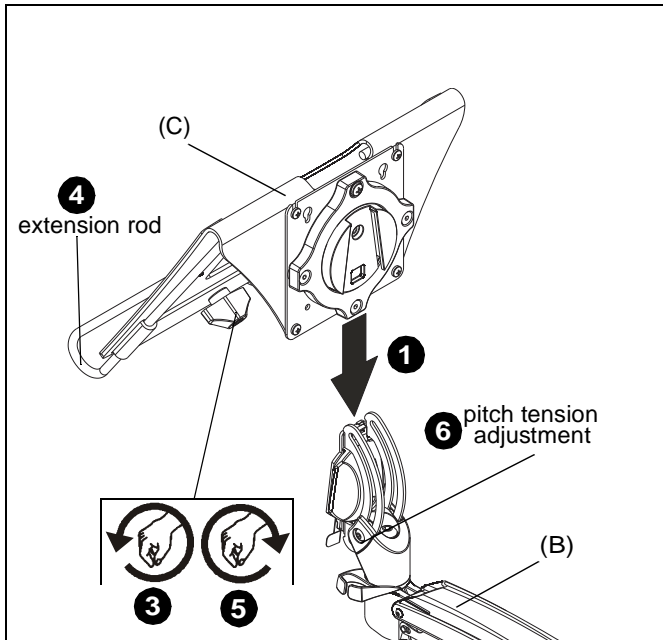


Figure 5

3. Turn extension rod tension adjustment knob counter-clockwise to decrease tension. (See Figure 5)
4. Extend laptop extension rod as desired. (See Figure 5)
5. Turn extension rod tension adjustment knob clockwise to tighten extension rod in place.



**WARNING:** Exceeding the weight capacity can result in serious personal injury or damage to equipment! It is the installer's responsibility to make sure the combined weight of all components does not exceed 15 lbs (6.8 kg). Use with products heavier than the maximum weight indicated may result in collapse of the mount and its accessories causing possible injury.

6. Center laptop on tray and adjust pitch tension as needed to hold tray in desired position. (See Figure 5)

## Adjustments

### Pitch Adjustment (non-array models)

1. Adjust pitch to desired tilt position. (See Figure 6)
2. Adjust pitch tension screw to change the adjustment tension. (See Figure 6)

### Pivot Adjustment (non-array models)

3. Adjust pivot position as desired. (See Figure 6)
4. Use 3/16" hex key (M) to adjust pivot point tension screws to change pivot adjustment tension. (See Figure 6)

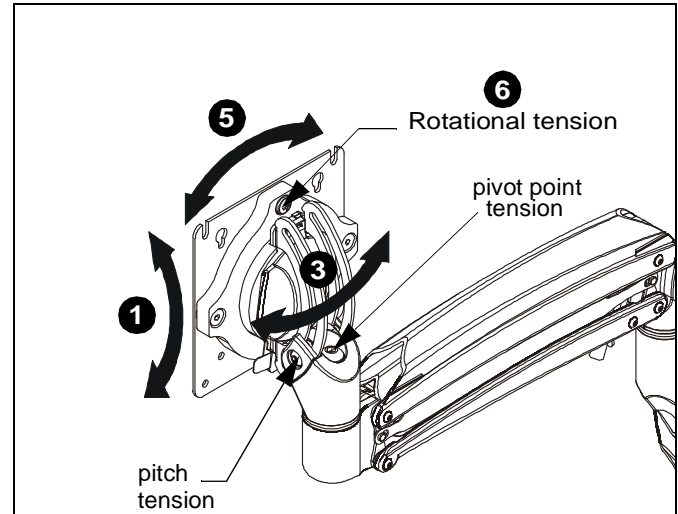


Figure 6

## Rotational Adjustment

5. The monitor may be adjusted 90 degrees in either direction in order to provide a portrait view of the monitor. (See Figure 6)
6. Use 3/16" hex key (Q) to adjust rotational adjustment screw to adjust rotational tension. (See Figure 6)

## Lift Arm Tension Adjustment

1. Tension may also be adjusted with upper tension adjustment screw inside cable management cover and 1/8" hex key (H). (See Figure 7)

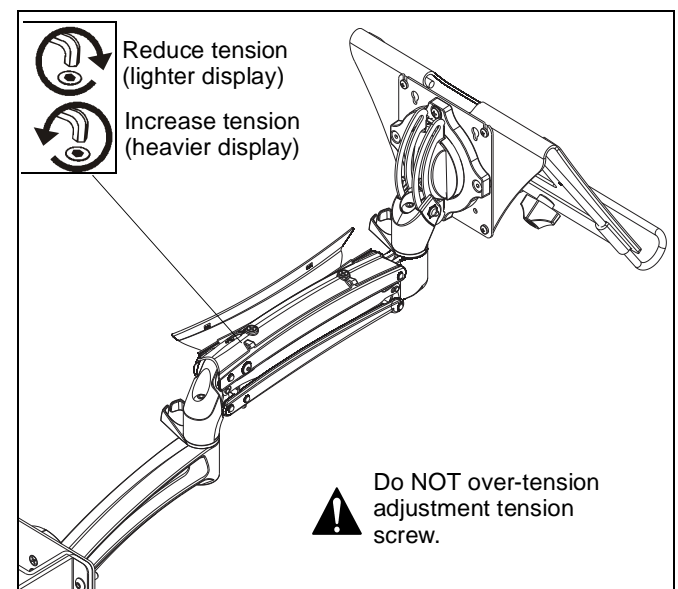


Figure 7

## Cable Management

1. Press insides of cable management covers at both ends to unhinge tabs on either end of cable management cover on upper arm. (See Figure 8)
2. Lift cable management cover up until tabs are unhinged and cover is in the "open" position. (See Figure 8)

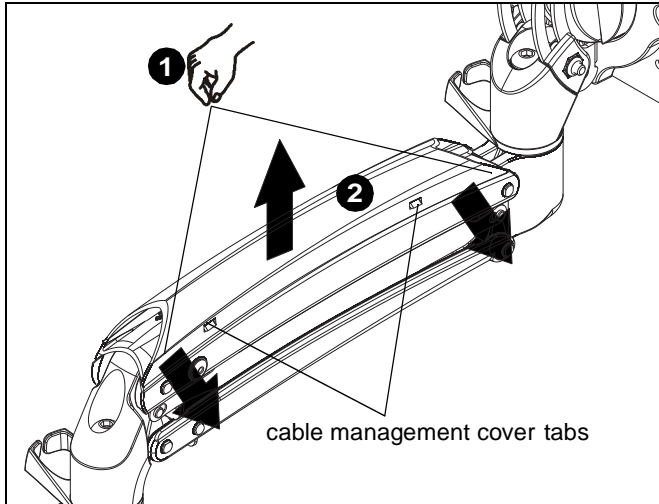


Figure 8

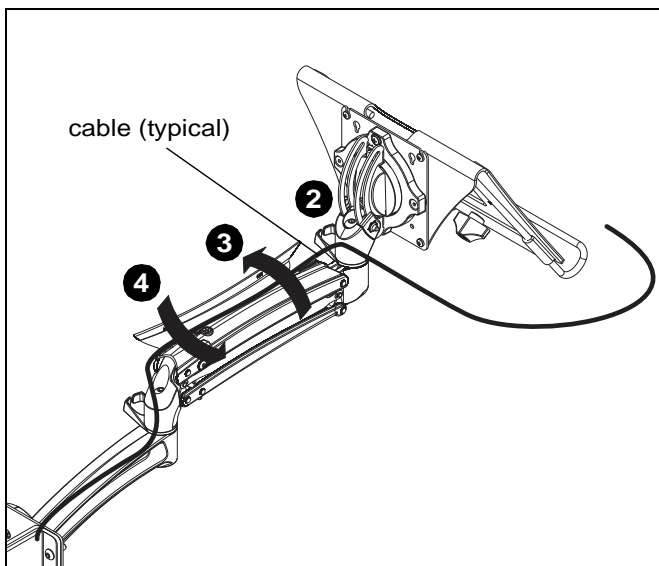


Figure 9

3. Route cables through cable management channels. (See Figure 9)

**IMPORTANT ! :** Be sure to leave enough slack in the cables near display and arm joint to allow for full arm articulation!

4. Close cable management covers on monitor arm. (See Figure 9)



Our Mounts. **Your Vision.**

Chief, a products division of  
Milestone AV Technologies

8800-002832 Rev00  
©2016 Milestone AV Technologies  
[www.milestone.com](http://www.milestone.com)  
11/16

<b>USA/International</b>	<b>A</b> 6436 City West Parkway, Eden Prairie, MN 55344 <b>P</b> 800.582.6480 / 952.225.6000 <b>F</b> 877.894.6918 / 952.894.6918
<b>Europe</b>	<b>A</b> Franklinstraat 14, 6003 DK Weert, Netherlands <b>P</b> +31 (0) 495 580 852 <b>F</b> +31 (0) 495 580 845
<b>Asia Pacific</b>	<b>A</b> Office No. 918 on 9/F, Shatin Galleria 18-24 Shan Mei Street Fotan, Shatin, Hong Kong <b>P</b> 852 2145 4099 <b>F</b> 852 2145 4477

